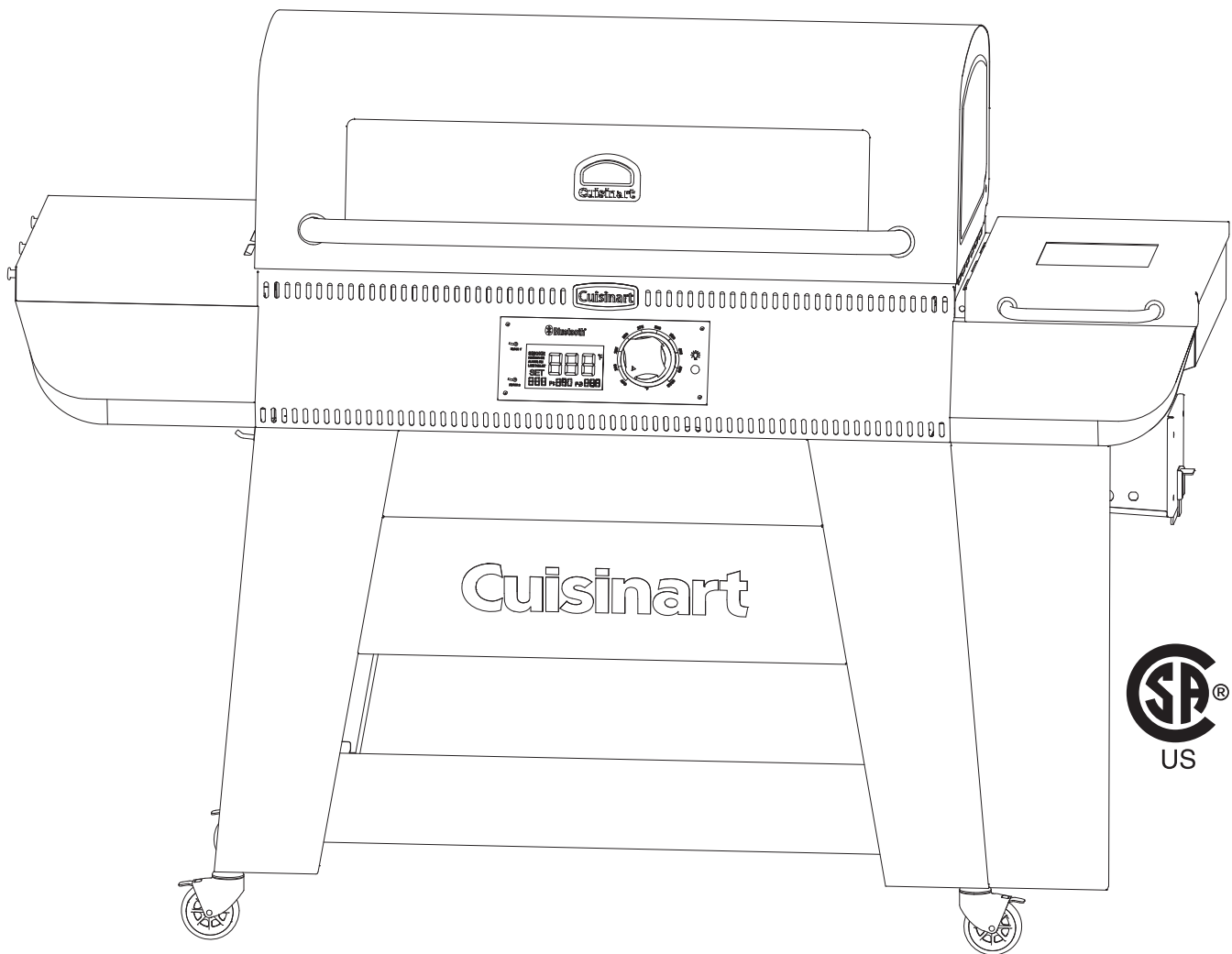


# Cuisinart®

## Woodcreek 4-in-1 Pellet Grill

# ASSEMBLY INSTRUCTIONS

### Model SMK0036AS / SMK0036ASO



# ASSEMBLY INSTRUCTIONS:

**⚠ READ ALL SAFETY WARNINGS & ASSEMBLY INSTRUCTIONS CAREFULLY BEFORE ASSEMBLING OR OPERATING YOUR GRILL.**

**WE RECOMMEND TWO PEOPLE WORK TOGETHER WHEN ASSEMBLING THIS UNIT.**

The following tools are required to assemble this Cuisinart Woodcreek 4-in-1 Pellet Grill:

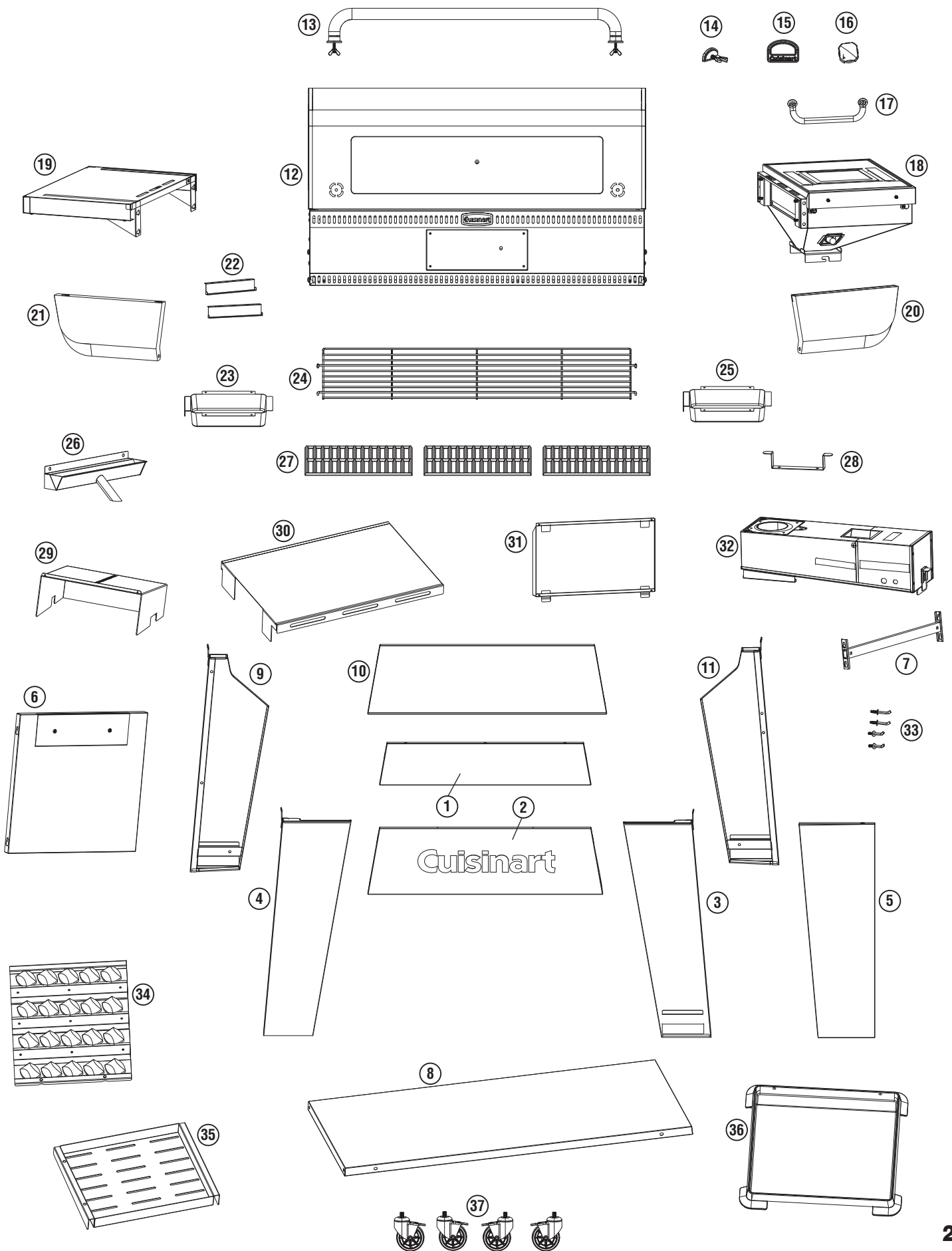
- Phillips Screwdriver
- Pliers or Wrench

## PARTS LIST:

①	1	Top Front Panel	①9	1	Left Side Table
②	1	Bottom Front Panel	②0	1	Right Side Control Panel
③	1	Right Front Leg	②1	1	Left Side Control Panel
④	1	Left Front Leg	②2	2	Grease Cup Brackets
⑤	1	Right Side Panel	②3	1	Grease Cup
⑥	1	Left Side Panel	②4	1	Warming Rack
⑦	1	Cart Brace	②5	1	Ash Catcher
⑧	1	Cart Base	②6	1	Grease Channel
⑨	1	Left Rear Leg	②7	3	Cooking Grates
⑩	1	Back Panel	②8	1	Cord Wrap
⑪	1	Right Rear Leg	②9	1	Heat Baffle
⑫	1	Grill Body	③0	1	Left Side Heat Plate
⑬	1	Hood Handle	③1	1	Right Side Heat Plate
⑭	1	Temperature Gauge	③2	1	Auger Housing
⑮	1	Temperature Gauge Bezel	③3	4	Accessory Hooks
⑯	1	Control Knob	③4	1	Ceramic Insert
⑰	1	Pellet Hopper Lid Handle	③5	1	Charcoal Tray
⑱	1	Pellet Hopper	③6	1	Cast Iron Griddle
			③7	4	Casters

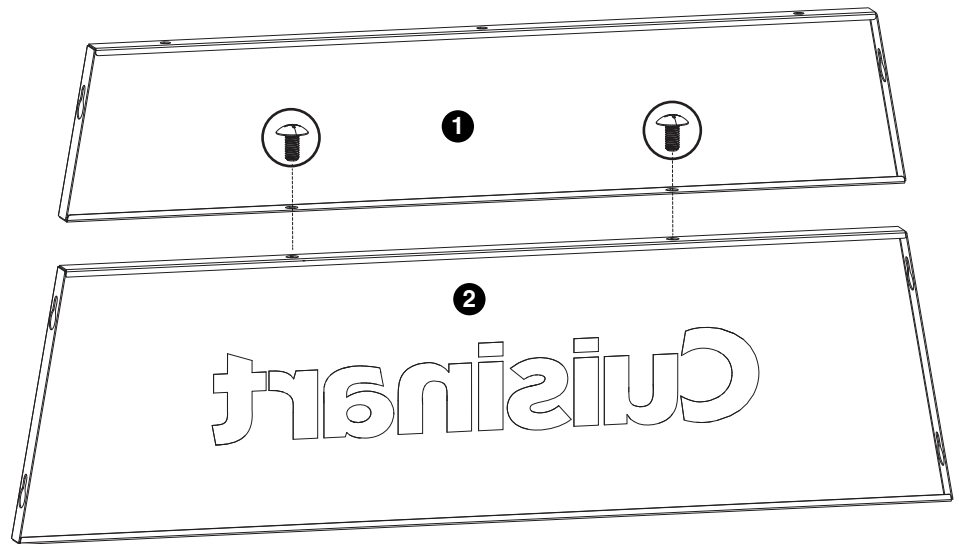
**Note:** Most hardware is pre-attached to the grill. You may need to loosen some screws partially while others may need to be removed in order to assemble parts. The screws that you remove will be re-used so don't misplace this hardware.

Extra screws are included in a small bag with the owners manual.



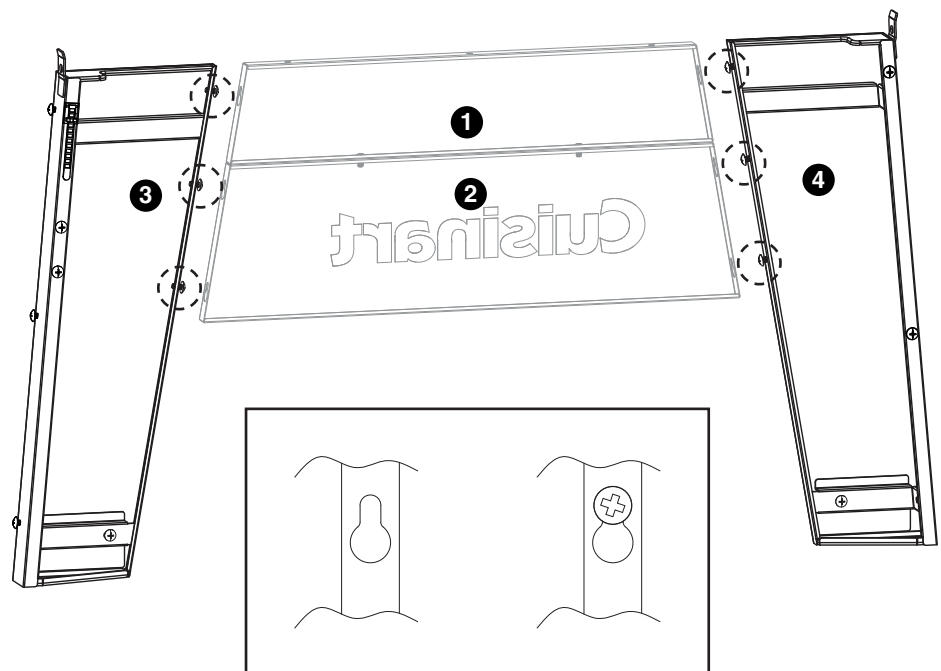
## Step 1

- Remove 2 screws
- Attach **FRONT PANELS** **1** and **2**
- Tighten 2 screws



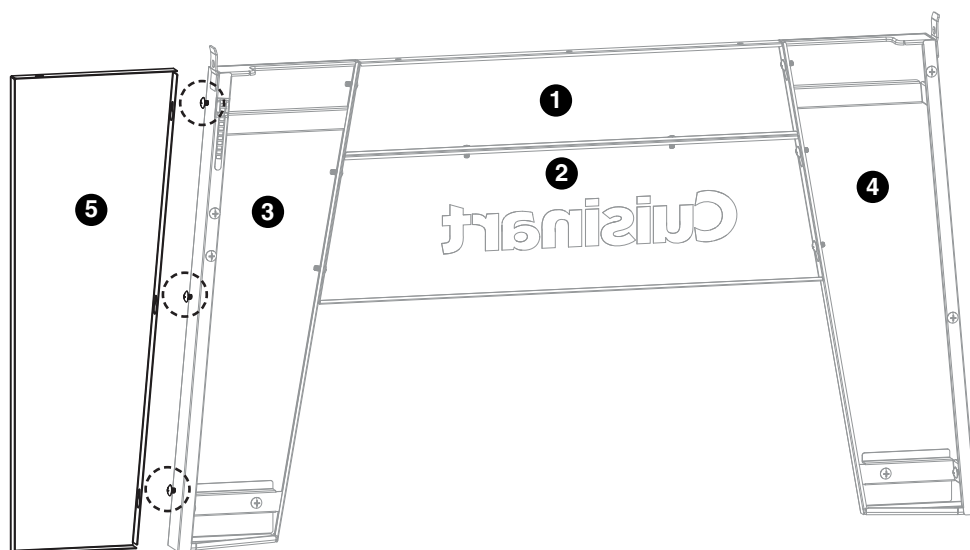
## Step 2

- Loosen 6 screws 3-4 turns on **FRONT LEGS** **3** and **4**
- Do not remove screws
- Attach **FRONT PANELS** **1** and **2** using keyholes
- Tighten 6 screws



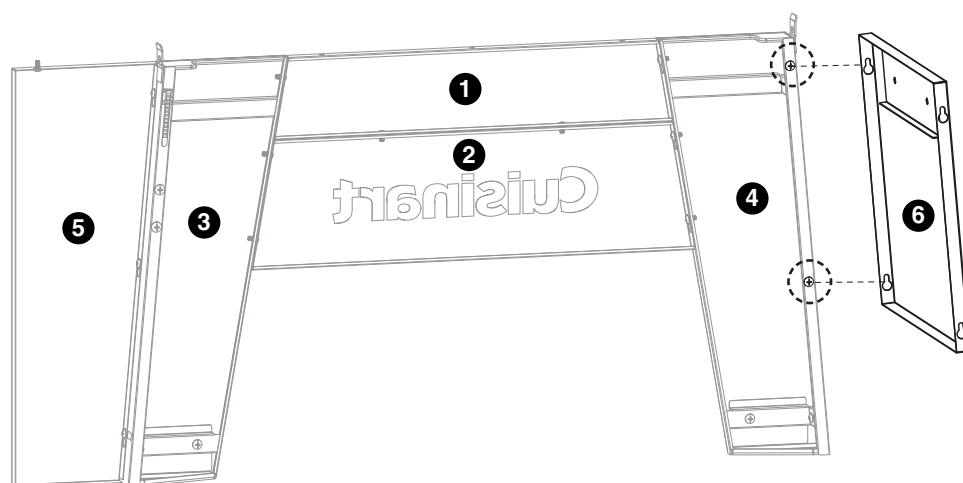
**NOTE:** Before tightening keyhole screws, make sure panels are aligned.

### Step 3



- Loosen 3 screws
- Attach **RIGHT SIDE PANEL 5**
- Tighten 3 screws on **RIGHT SIDE PANEL 5**

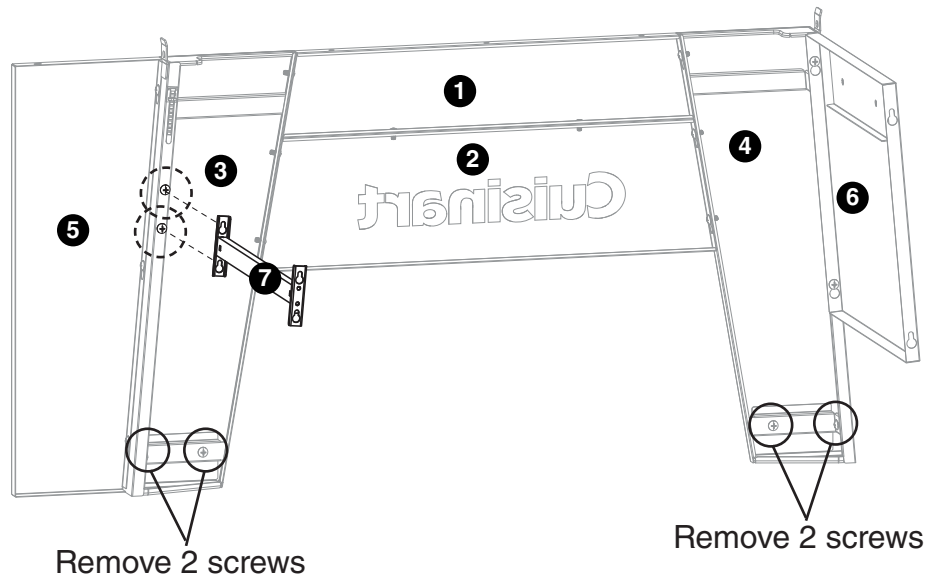
### Step 4



- Loosen 2 screws
- Attach **LEFT SIDE PANEL 6**
- Tighten 2 screws on **LEFT SIDE PANEL 6**

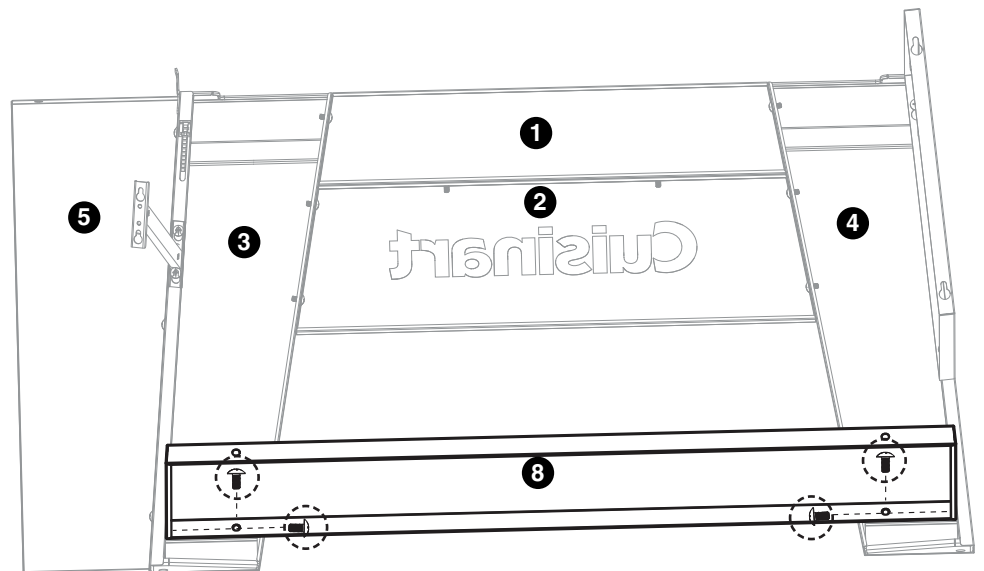
## Step 5

- Loosen 2 screws
- Attach **CART BRACE 7**
- Tighten 2 screws on **CART BRACE 7**
- Remove 4 screws

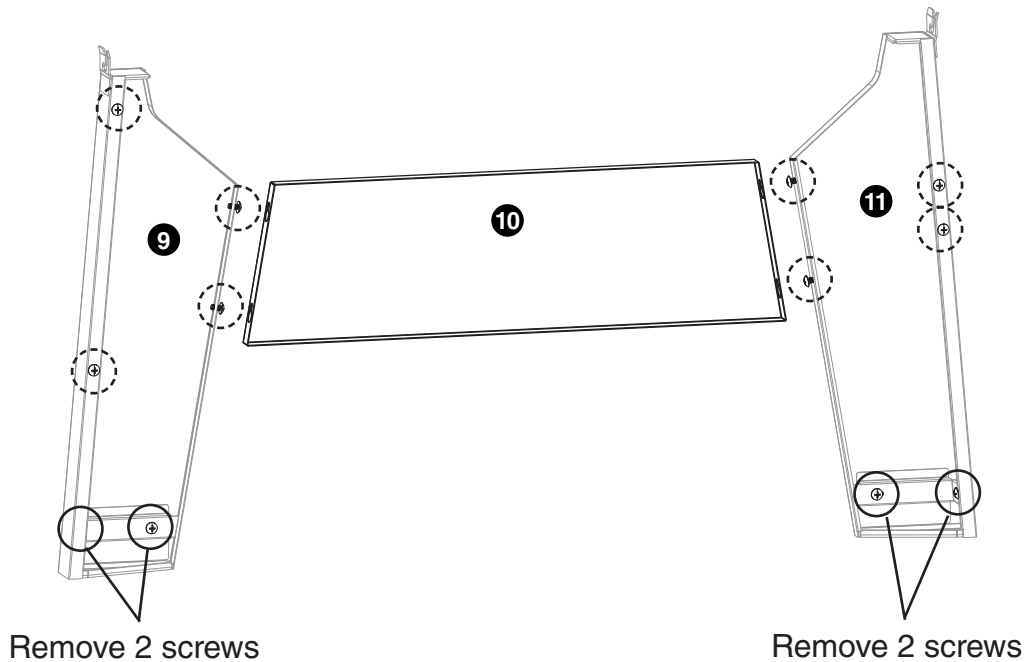


## Step 6

- Attach **CART BASE 8**
- Tighten 4 screws  
(Removed from Step 5)

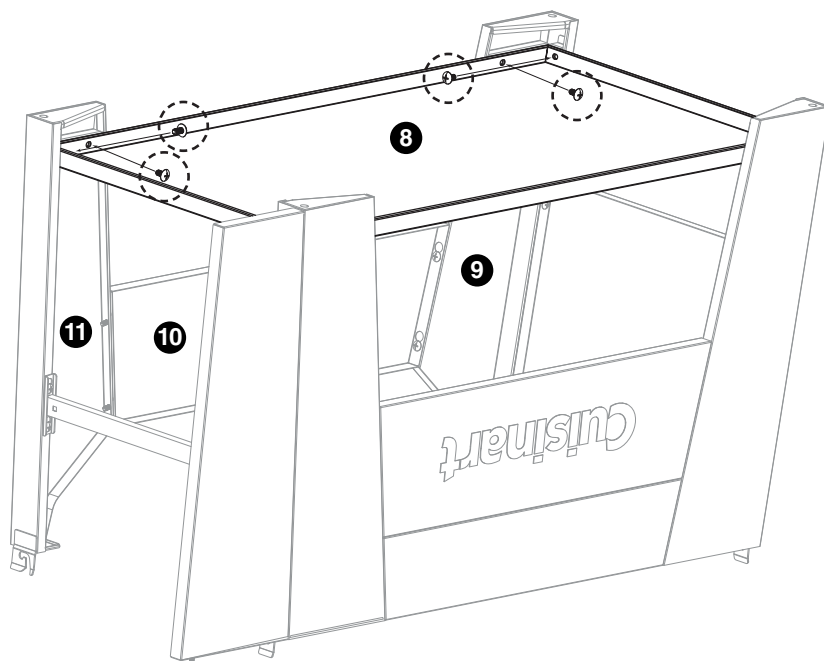


## Step 7



- Loosen 8 screws on **REAR LEGS 9** and **11**
- Attach **BACK PANEL 10** to **REAR LEGS 9** and **11**
- Tighten 4 screws
- Remove 4 screws

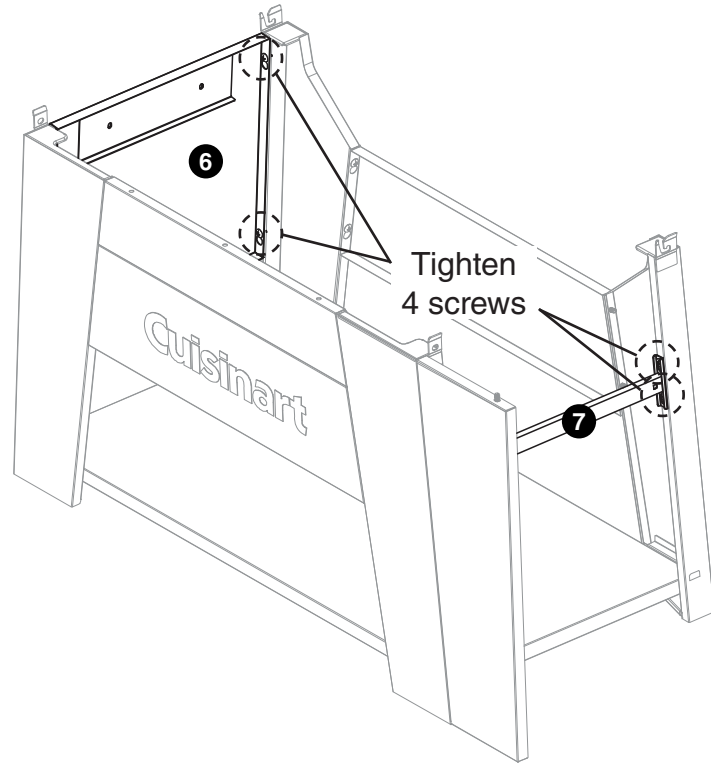
## Step 8



- Attach **CART BASE 8** to rear legs
- Tighten 4 screws (Removed from Step 7)

## Step 9

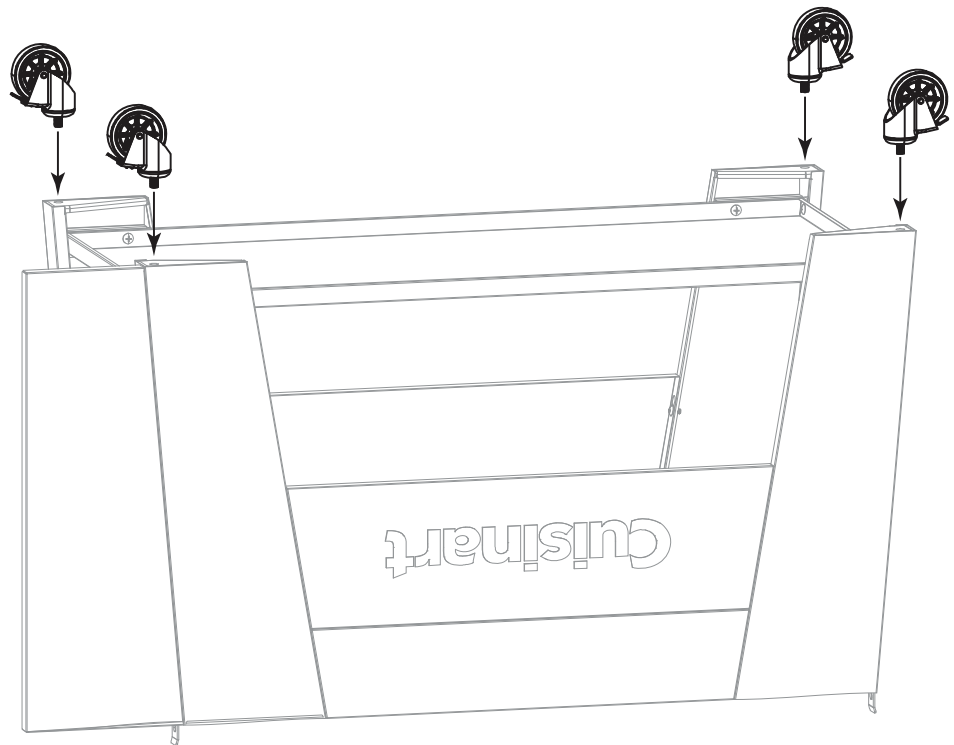
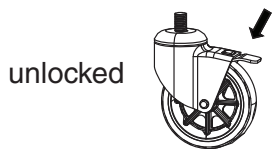
- Attach **LEFT SIDE PANEL 6** and **CART BRACE 7**
- Tighten 4 screws



## Step 10

- Lock **CASTERS 37**
- Attach **CASTERS 37** to legs

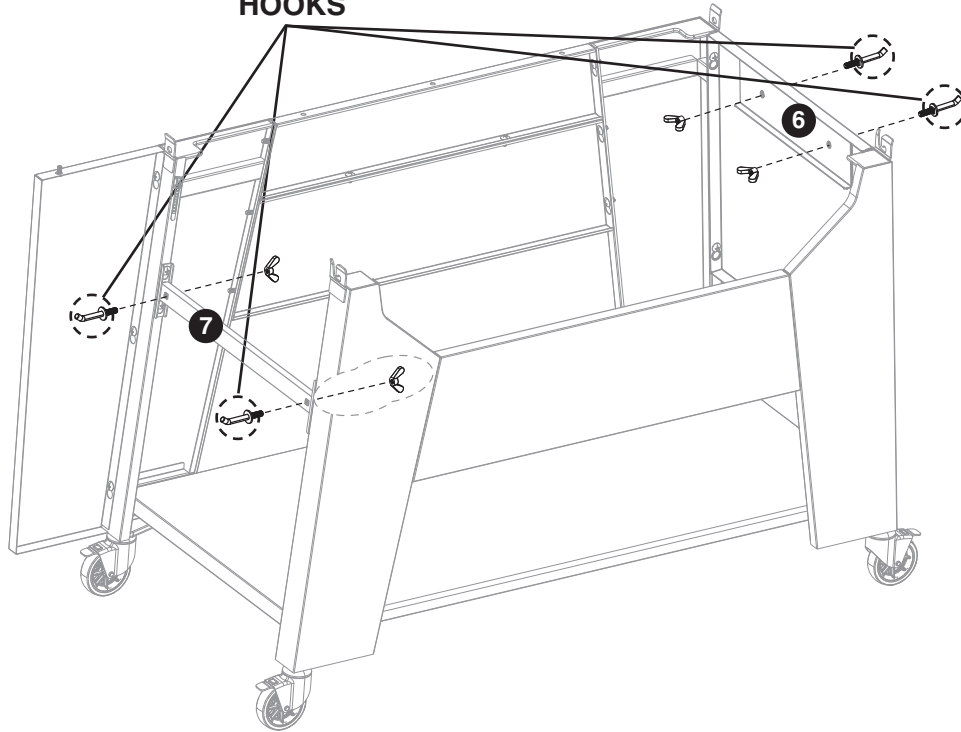
### 37 CASTERS





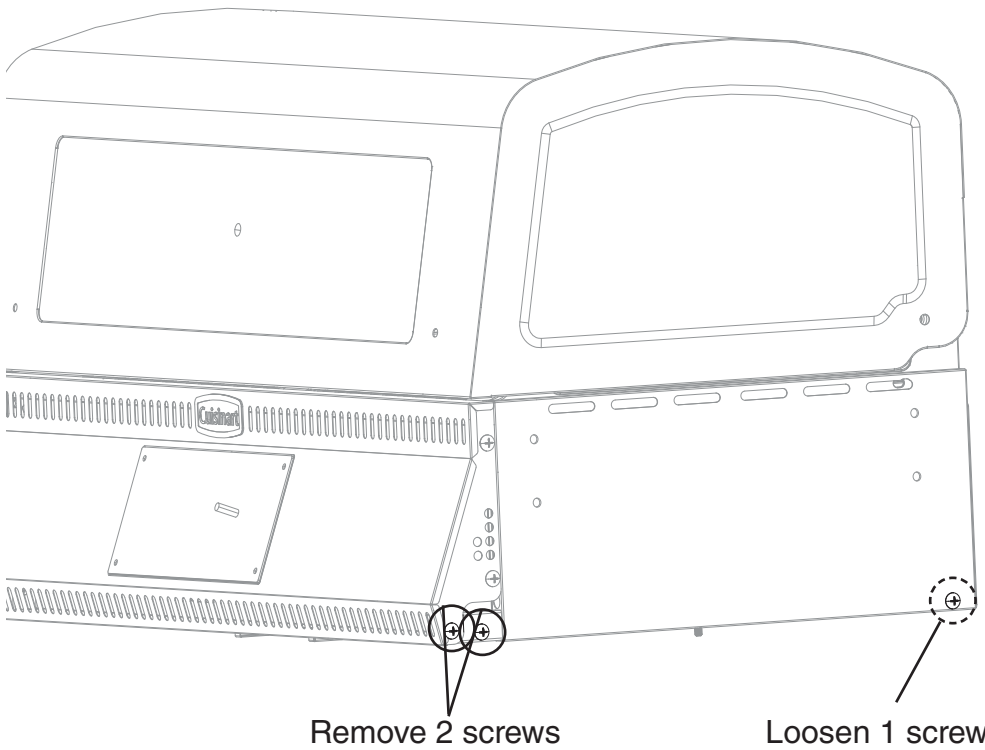
**33 ACCESSORY HOOKS**

**Step 11**



- Attach **ACCESSORY HOOKS 33** to **LEFT SIDE PANEL 6** and **CART BRACE 7** with wing nuts

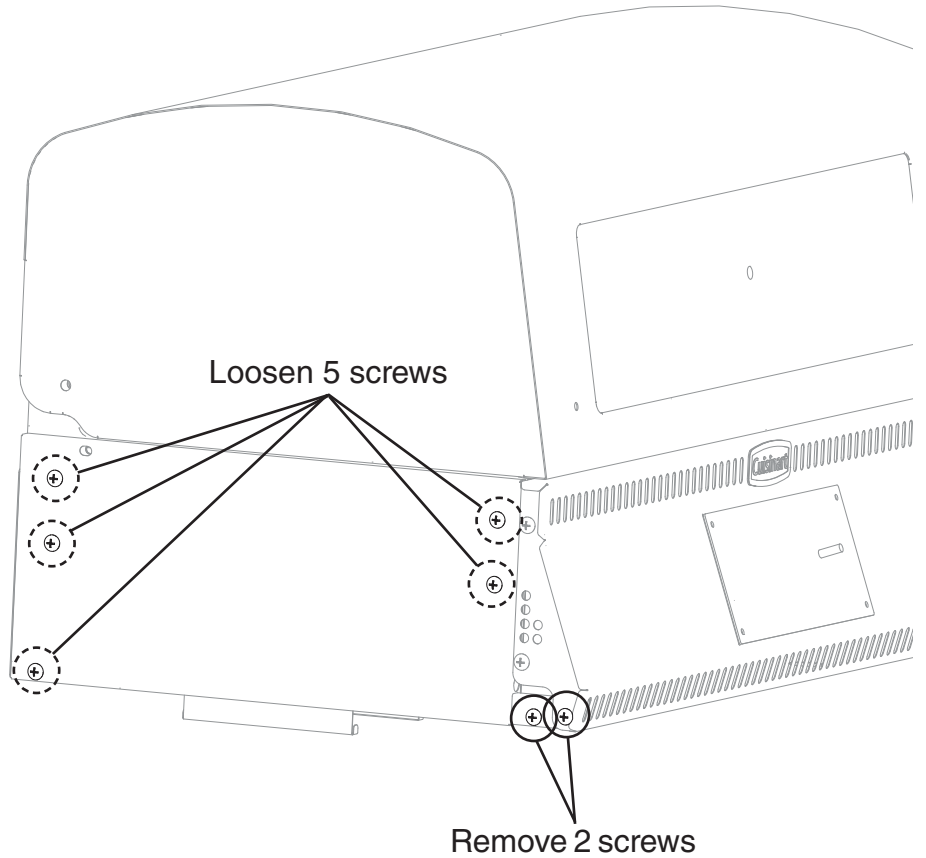
**Step 12**



- Loosen 1 screw
- Remove 2 screws

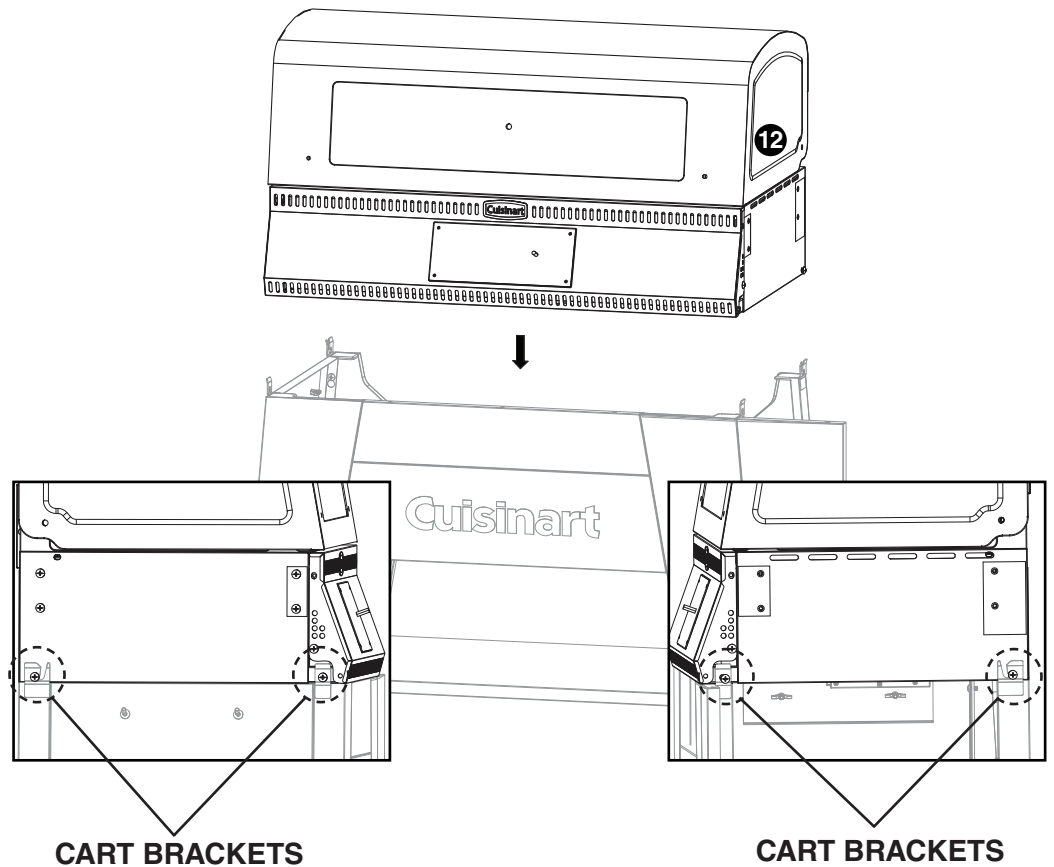
## Step 13

- Loosen 5 screws
- Remove 2 screws



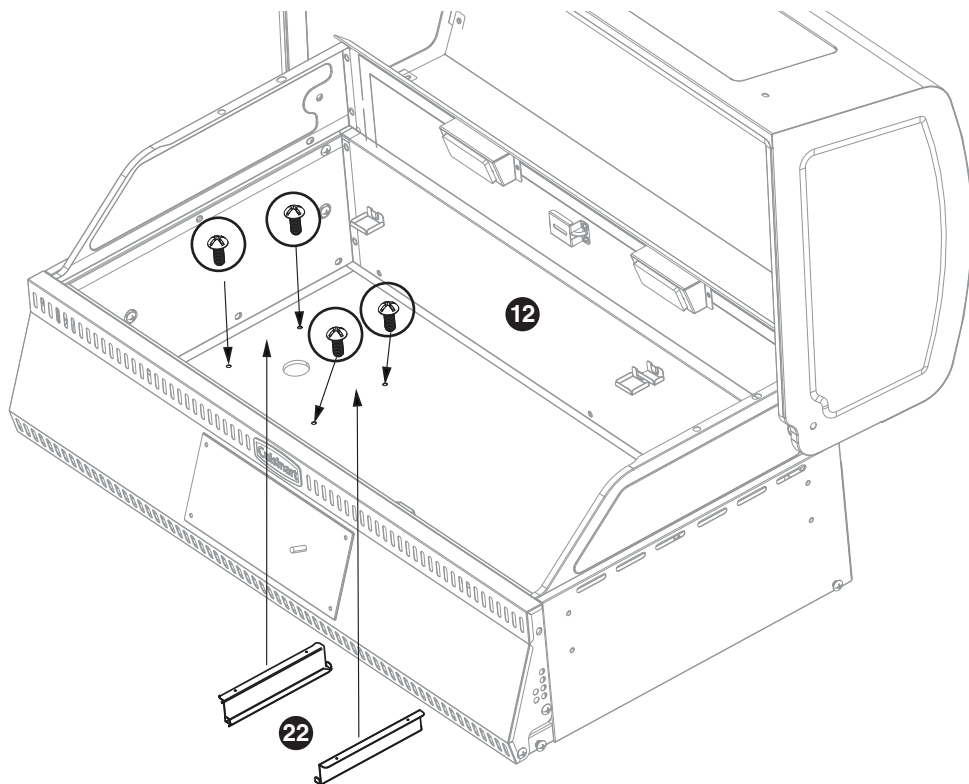
## Step 14

- Set **GRILL BODY 12** on cart
- Make sure screw drops into rear cart brackets
- Push **GRILL BODY 12** to back of cart
- Install 2 screws in **FRONT BRACKETS** (Removed from Step 12 and Step 13)
- Tighten 4 screws on cart brackets (2 screws left over will be used in future steps)



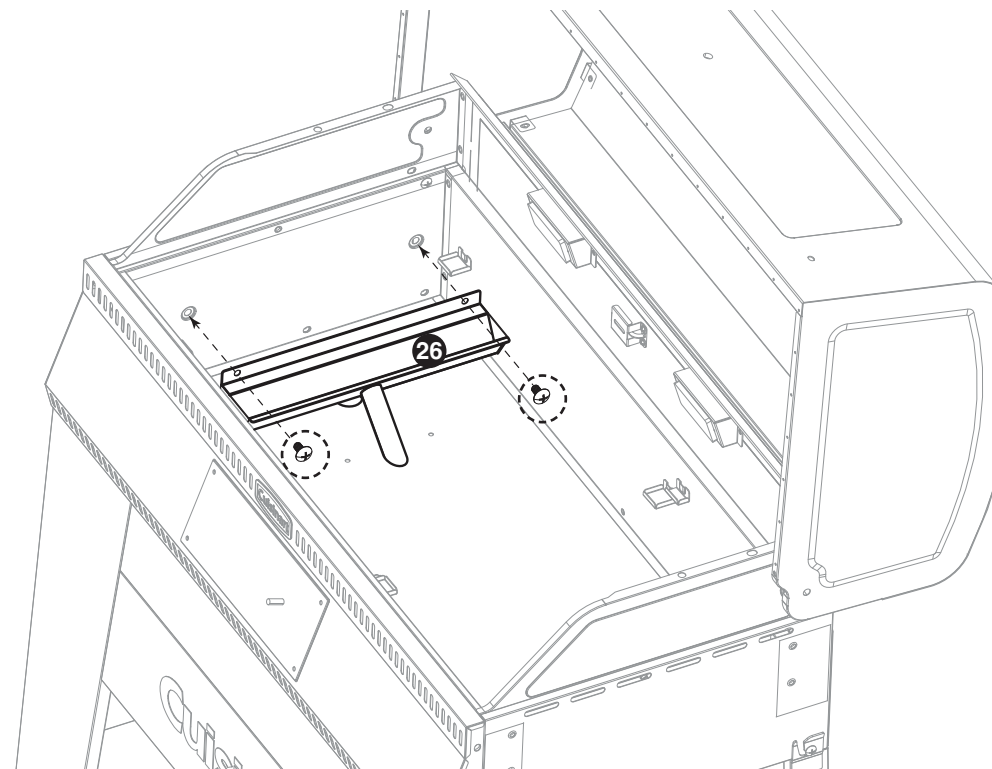
## Step 15

- Remove 4 screws from **GREASE CUP BRACKETS 22**
- Install **GREASE CUP BRACKETS 22** to the bottom of the **GRILL BODY 12** using 4 screws



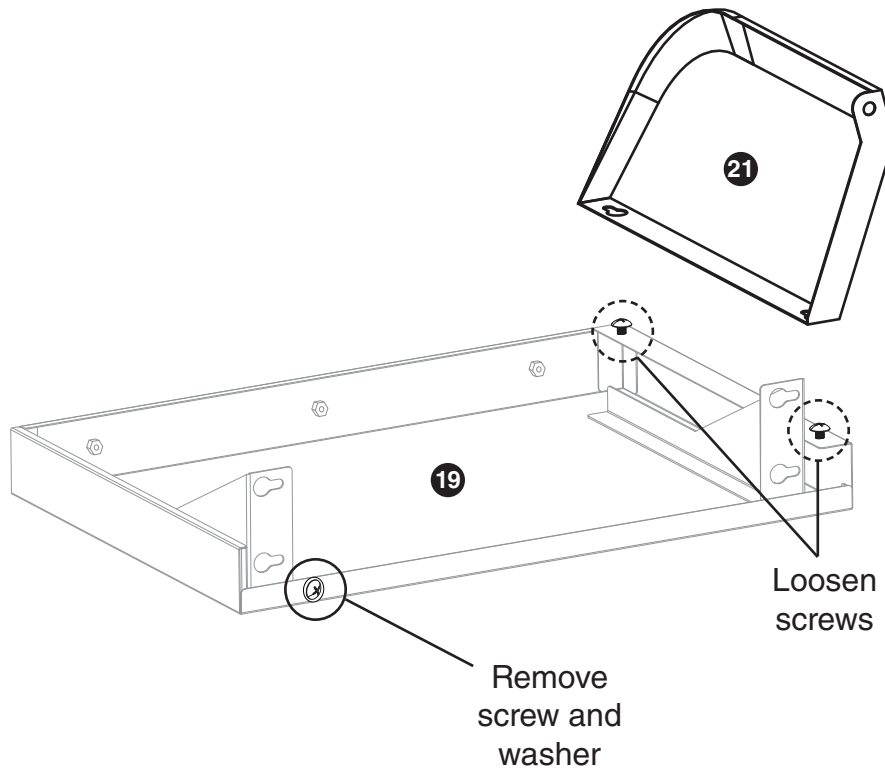
## Step 16

- Remove 2 screws
- Attach **GREASE CHANNEL 26**
- Tighten 2 screws



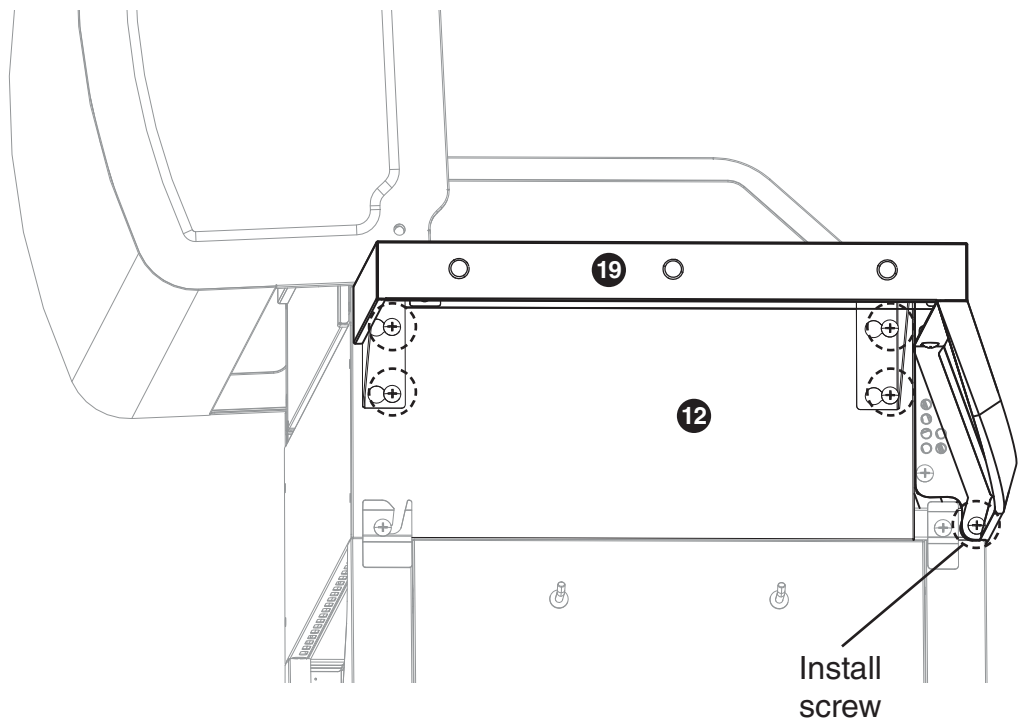
## Step 17

- Loosen 2 screws
- Attach **LEFT SIDE CONTROL PANEL 21** to **LEFT SIDE TABLE 19** over keyholes
- Tighten 2 screws
- Remove 1 screw and washer

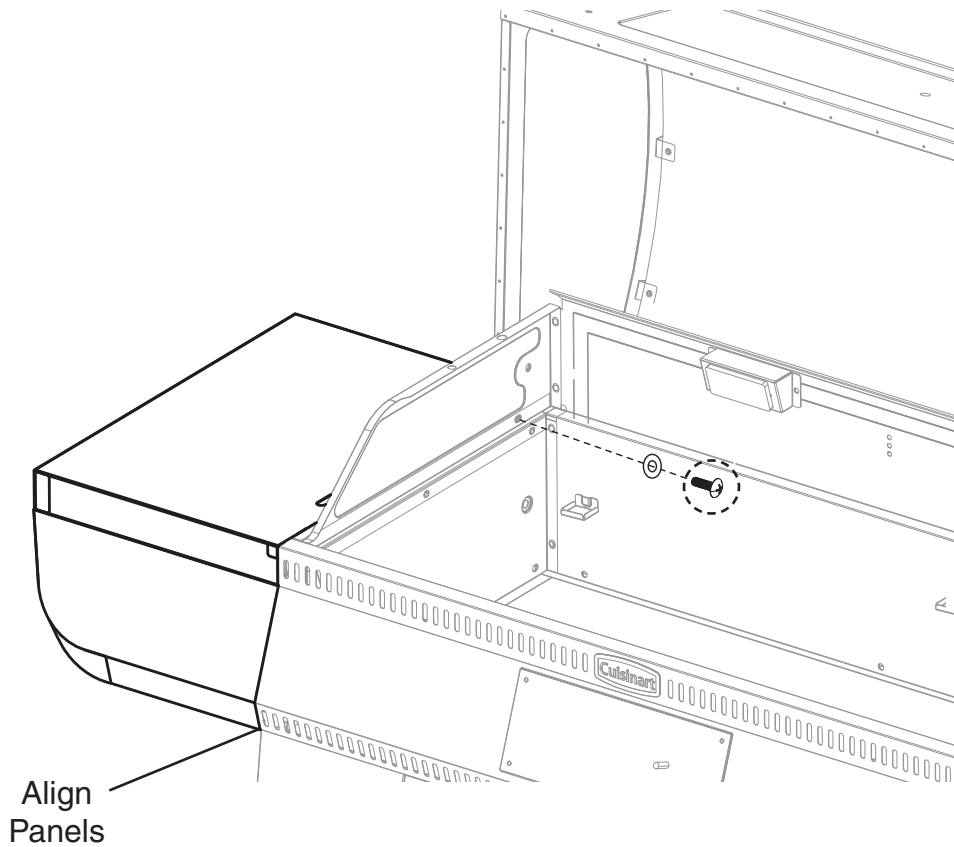


## Step 18

- Attach **LEFT SIDE TABLE 19** to **GRILL BODY 12** using keyholes
- Do not tighten screws at this time
- Install and tighten screw (Removed from Step 13)

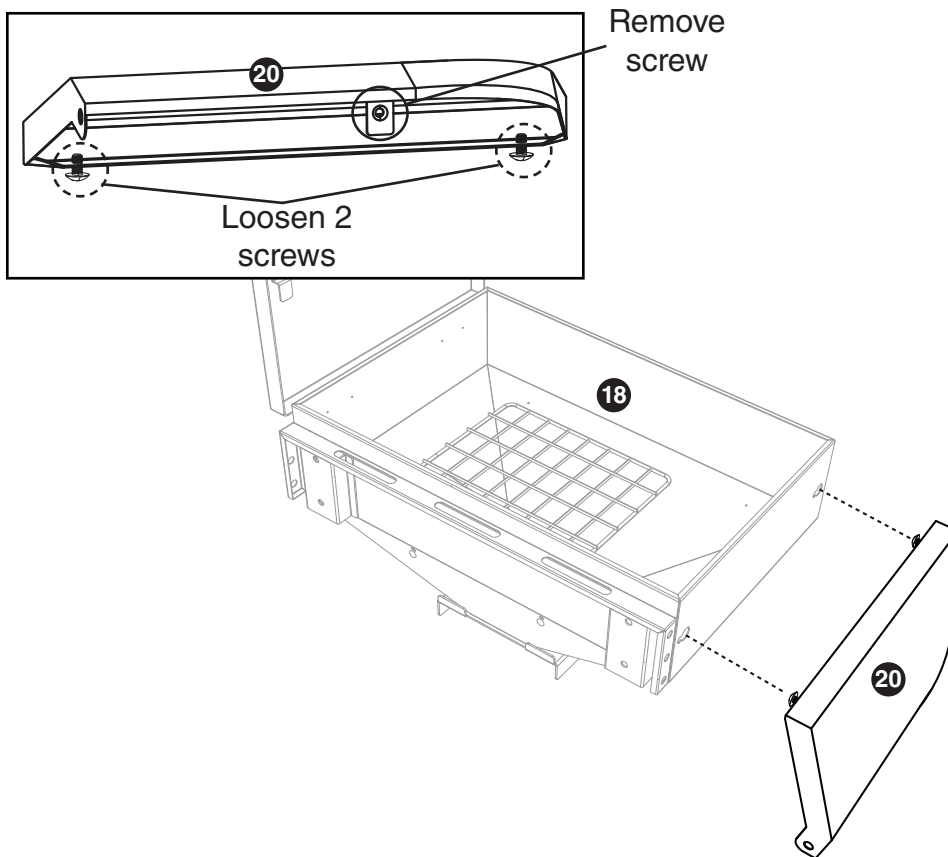


## Step 19



- Install screw and washer (Removed from Step 17)
- Make sure control panels are aligned
- Tighten 5 screws from Step 18 and Step 19

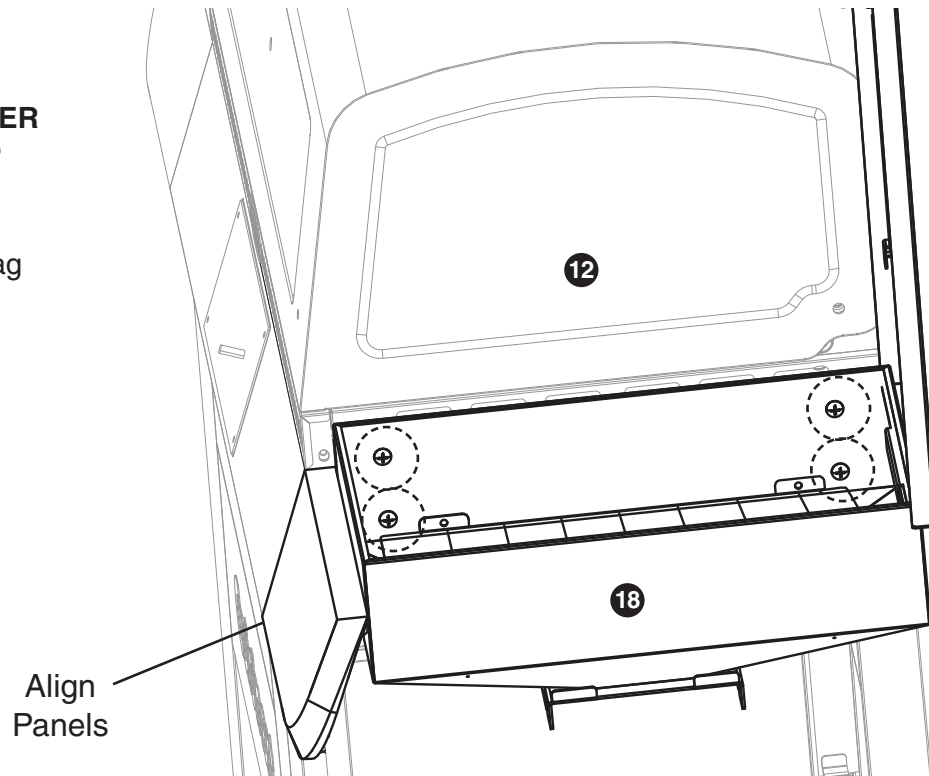
## Step 20



- Remove 1 screw
- Loosen 2 screws
- Attach **RIGHT SIDE CONTROL PANEL 20** to **PELLET HOPPER 18** over keyholes
- Tighten 2 screws

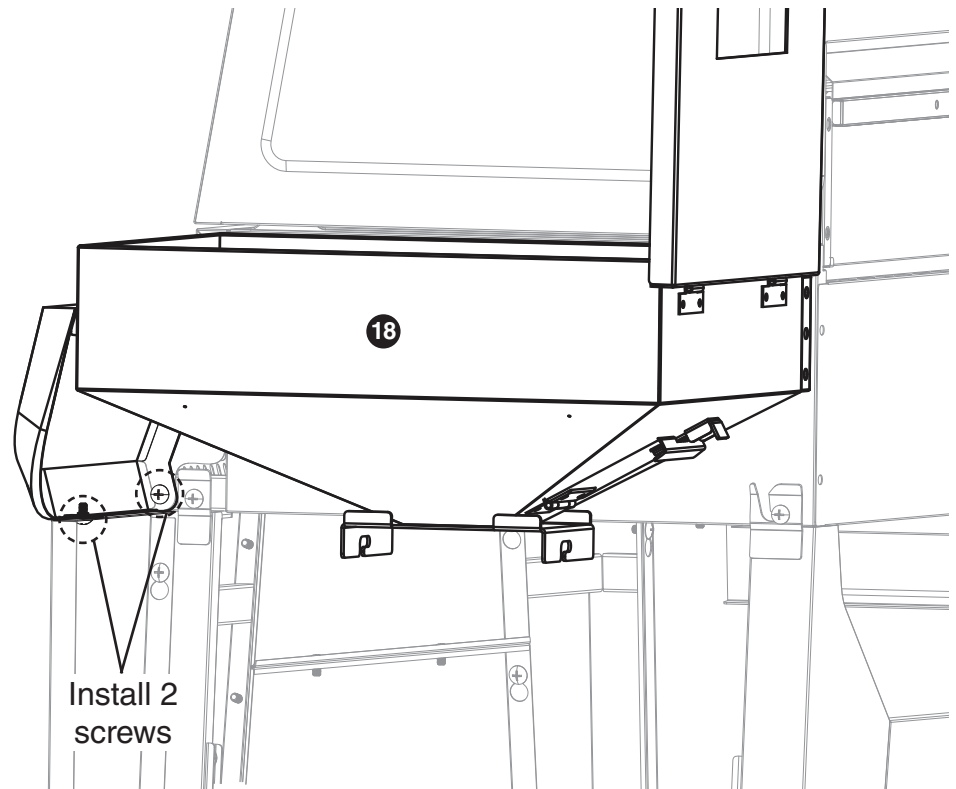
## Step 21

- Attach **PELLET HOPPER** **18** to **GRILL BODY** **12**
- Tighten 4 screws  
(Find M6x35 screws bag with owners manual)

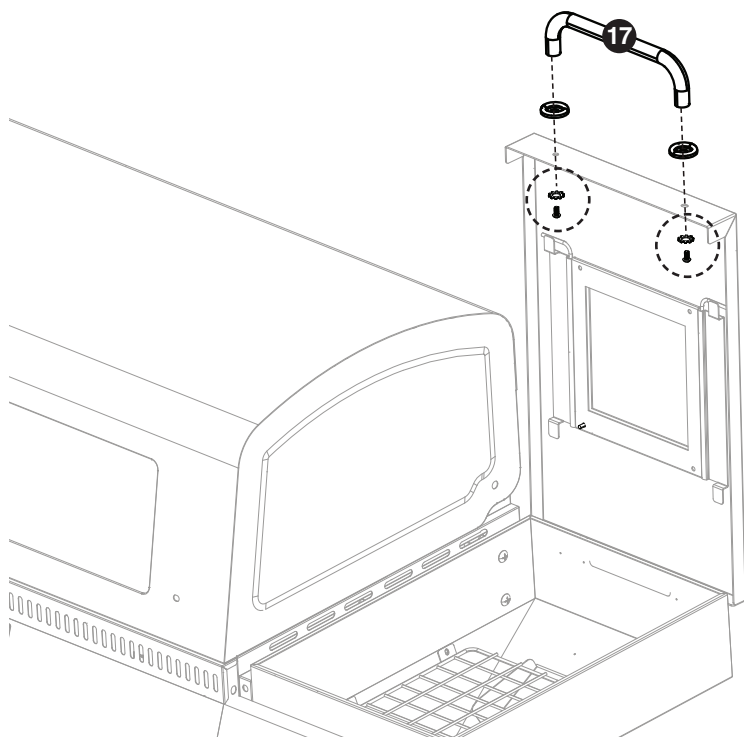


## Step 22

- Install 2 screws (1 screw removed in Step 12 and 1 screw removed in Step 20)

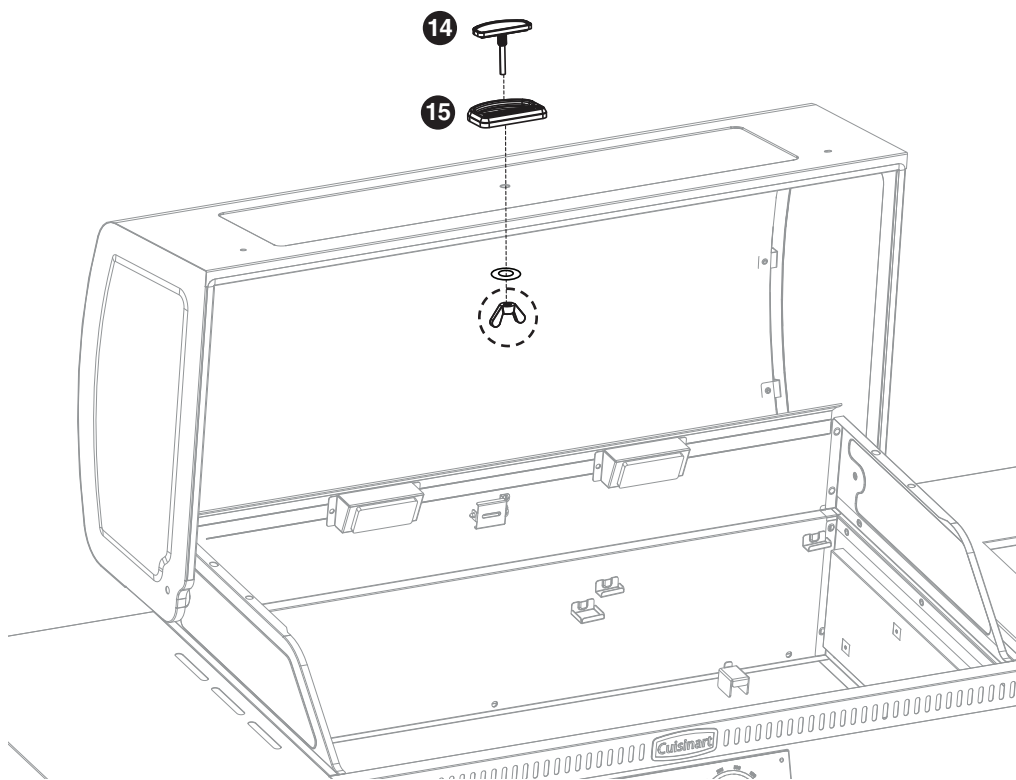


## Step 23



- Install **PELLET HOPPER LID HANDLE 17** (screws, washers and bezels are pre-installed in handle)

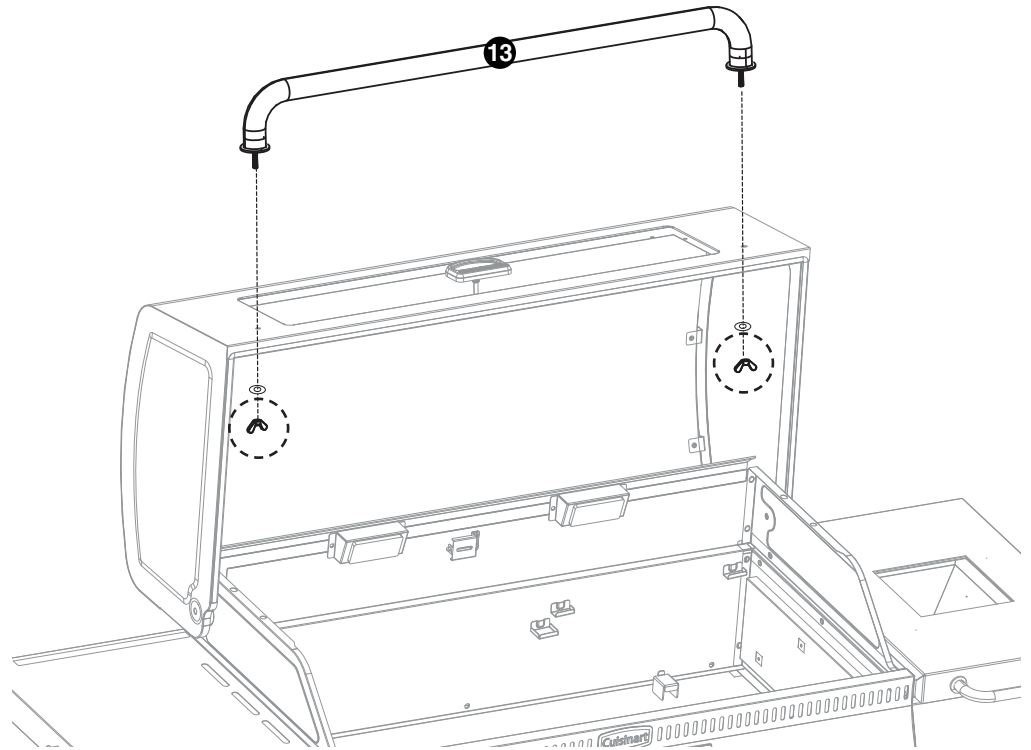
## Step 24



- Install **TEMPERATURE GAUGE 14** and **BEZEL 15** using washer and wing nut

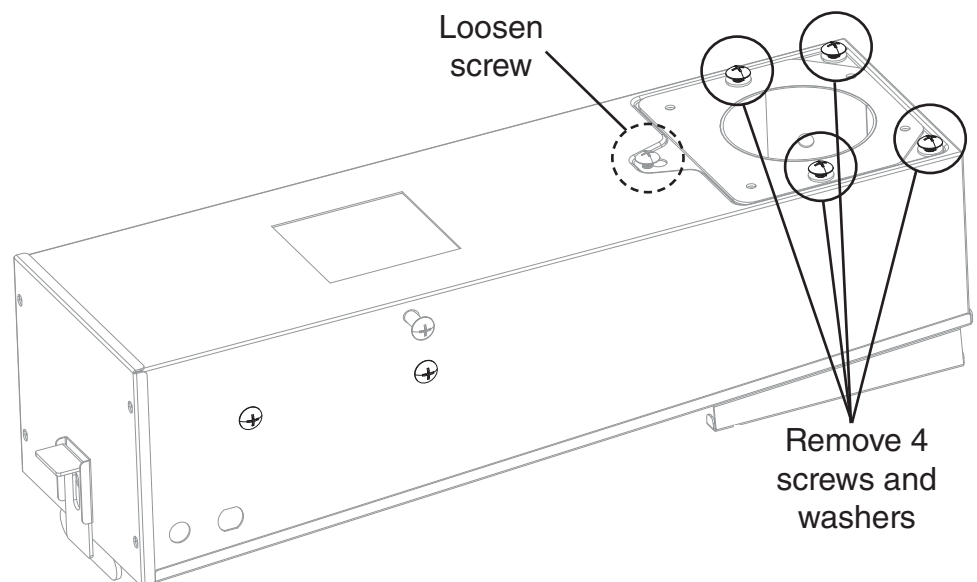
## Step 25

- Install **HOOD HANDLE** **13** (Wing nuts, bezels and washers are pre-installed on handle)



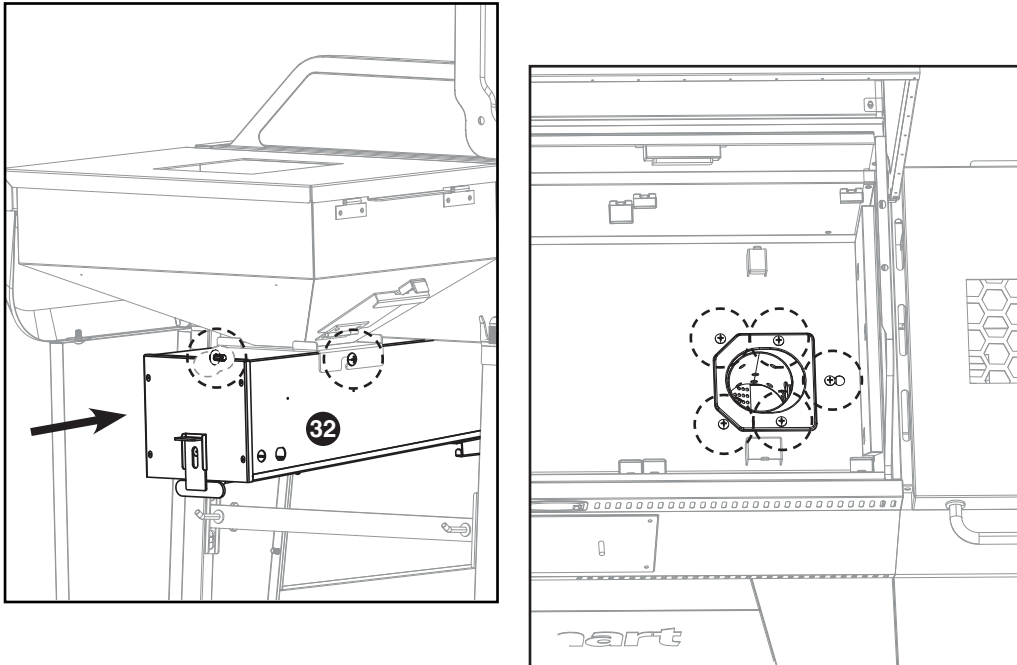
## Step 26

- Remove 4 screws and washers
- Loosen 1 screw



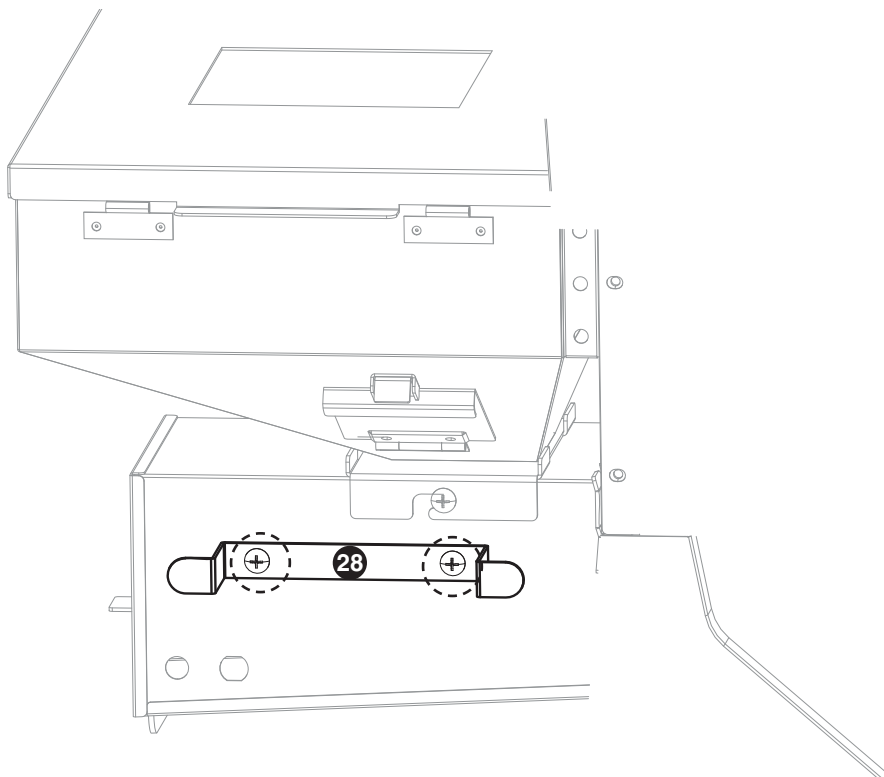


## Step 27



- Install **AUGER HOUSING 32** using keyhole in firebox and slots in pellet hopper bracket
- Tighten 5 screws and washers in firebox

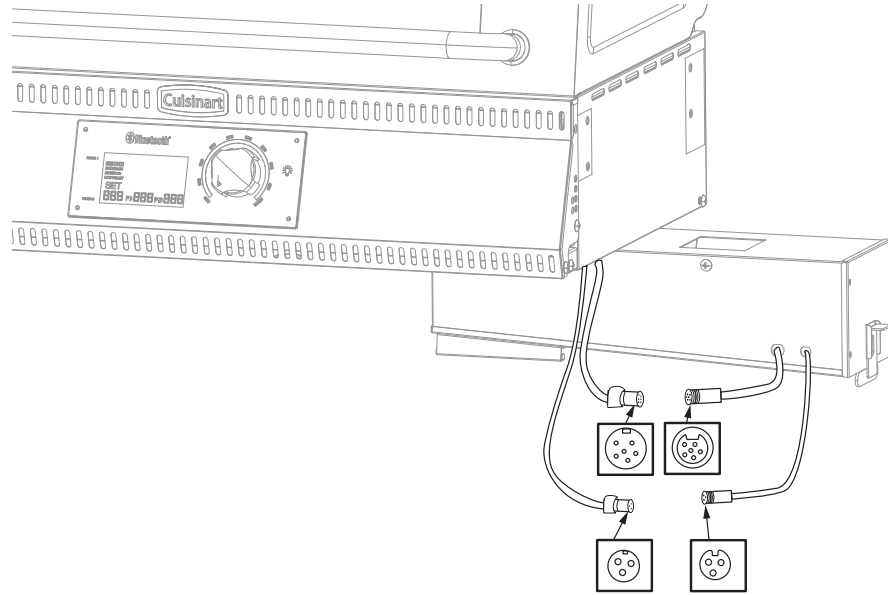
## Step 28



- Remove 2 screws
- Attach **CORD WRAP 28** using 2 screws

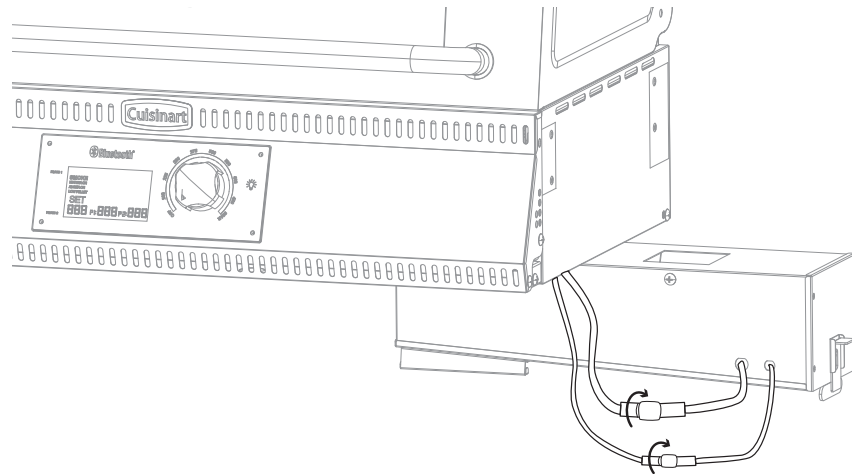
## Step 29a

- Connect wiring for Controller and Pellet Sensor
- These wires can only be connected one way
- Make sure the connectors are lined up properly before tightening



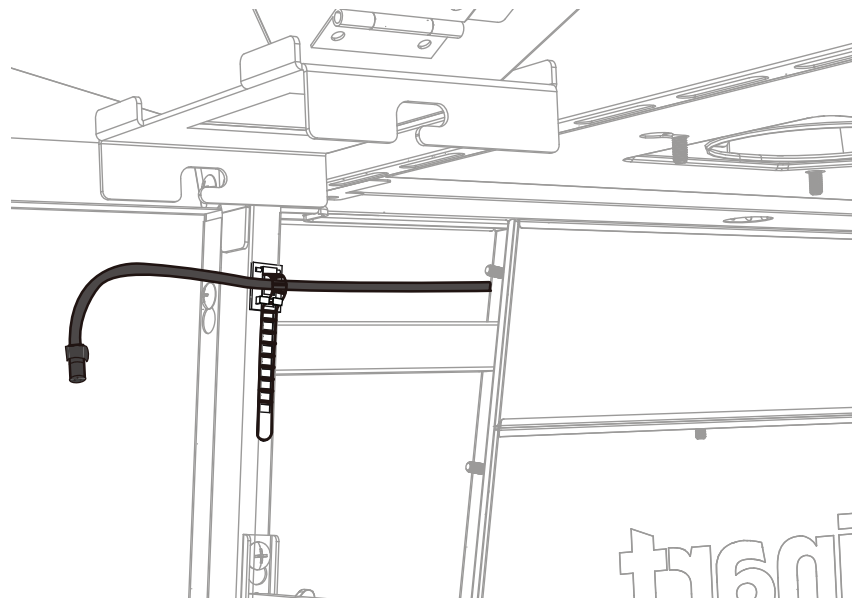
## Step 29b

- Once connected, twist to tighten

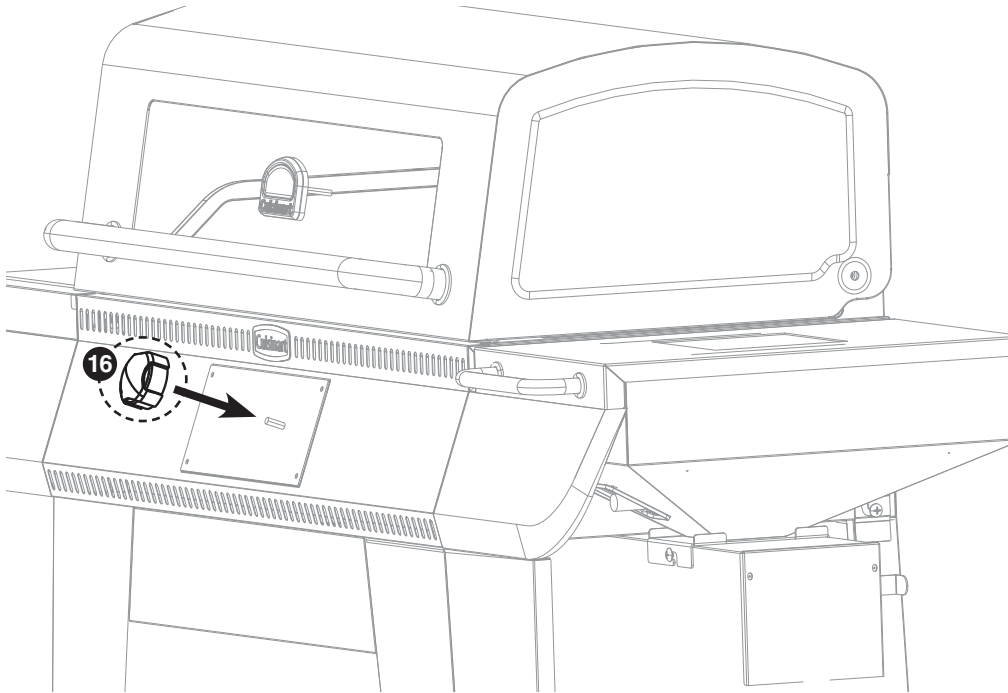


## Step 29c

- Secure wiring with cord clip.

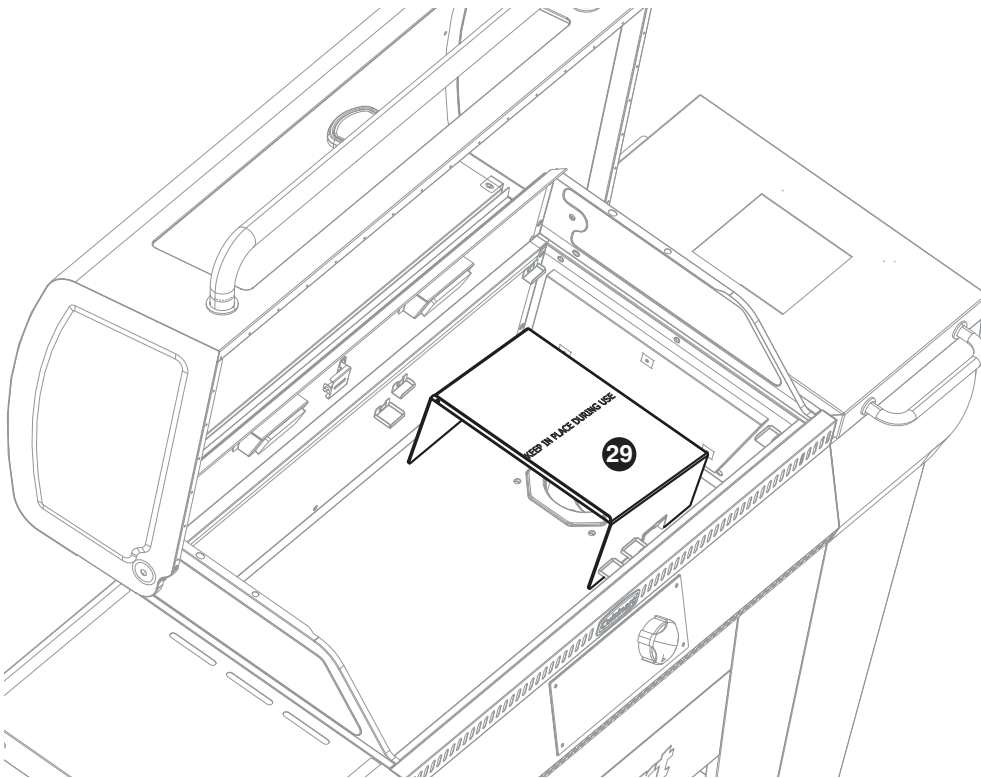


## Step 30



- Attach **CONTROL KNOB 16** to controller

## Step 31

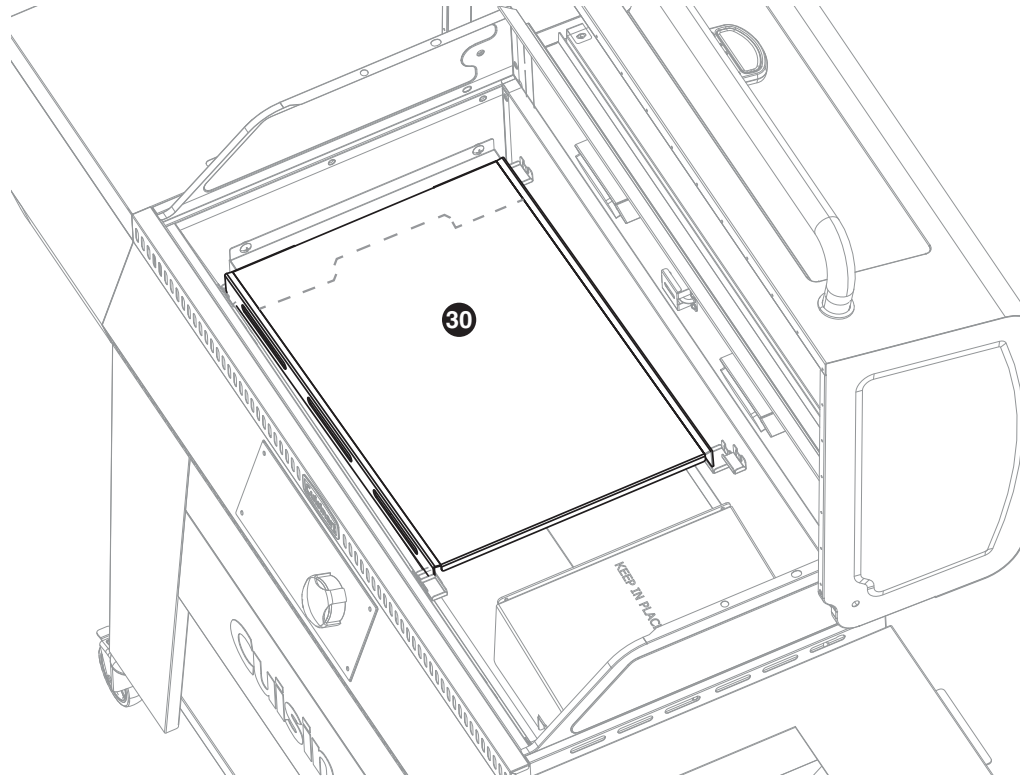


- Attach **HEAT BAFFLE 29**

## Step 32

- Install **LEFT HEAT PLATE 30** on welded brackets

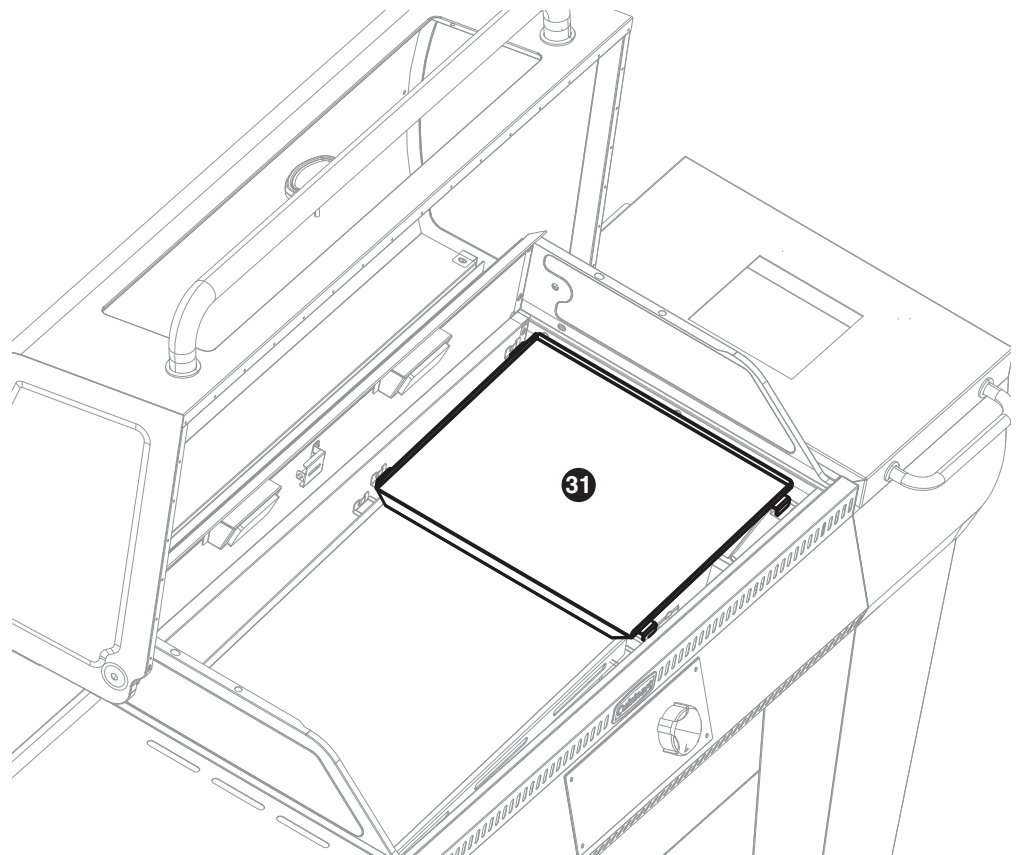
Note: The 2 longer feet go on the left side of the firebox



## Step 33

- Install **RIGHT HEAT PLATE 31** on welded brackets

Note: The angled lip should face left

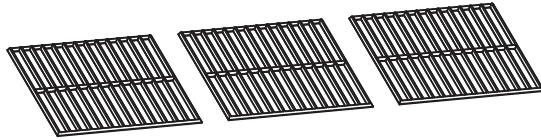


## Step 34

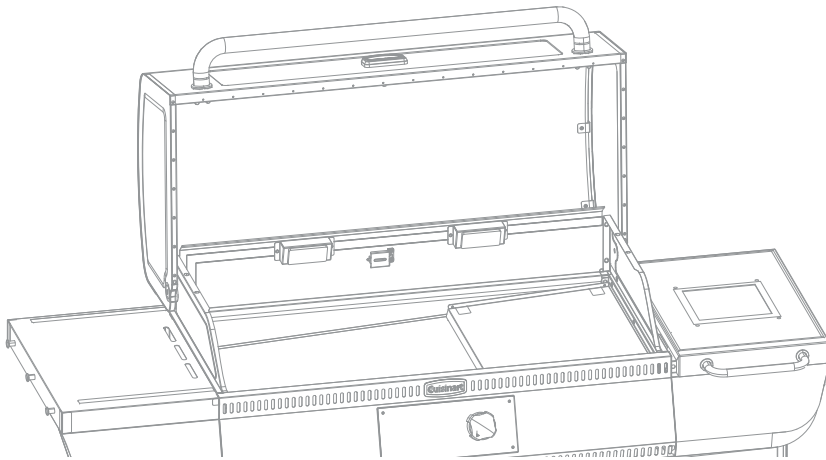
**24** WARMING RACK



**27** COOKING GRATES

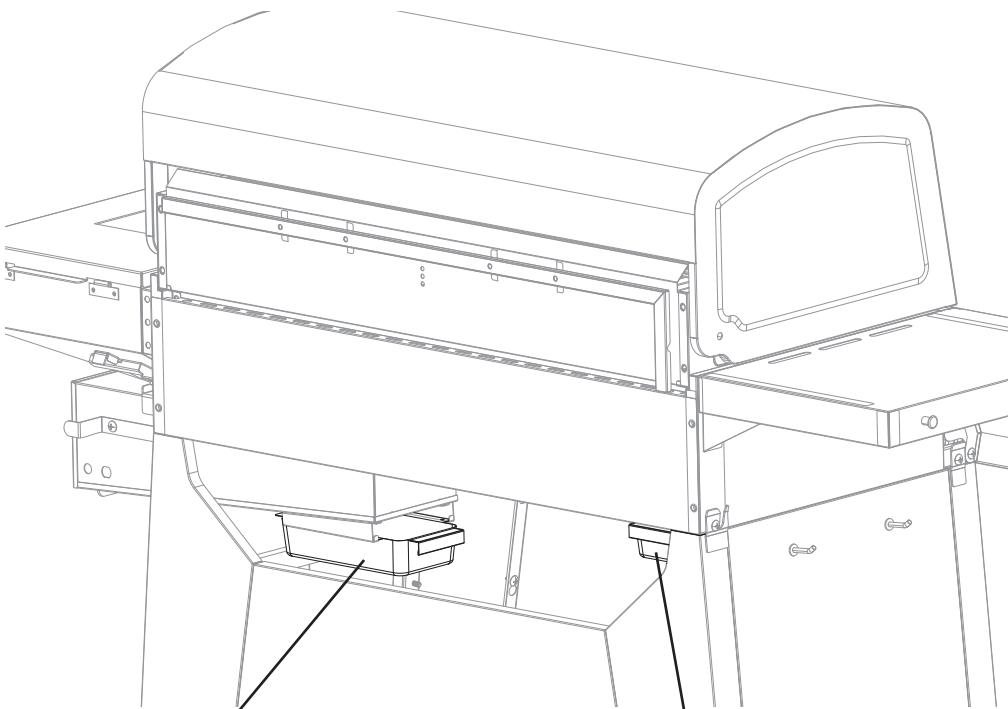


- Install **COOKING GRATES 27** and **WARMING RACK 24**



## Step 35

- Install **ASH CATCHER 25** and **GREASE CUP 23**

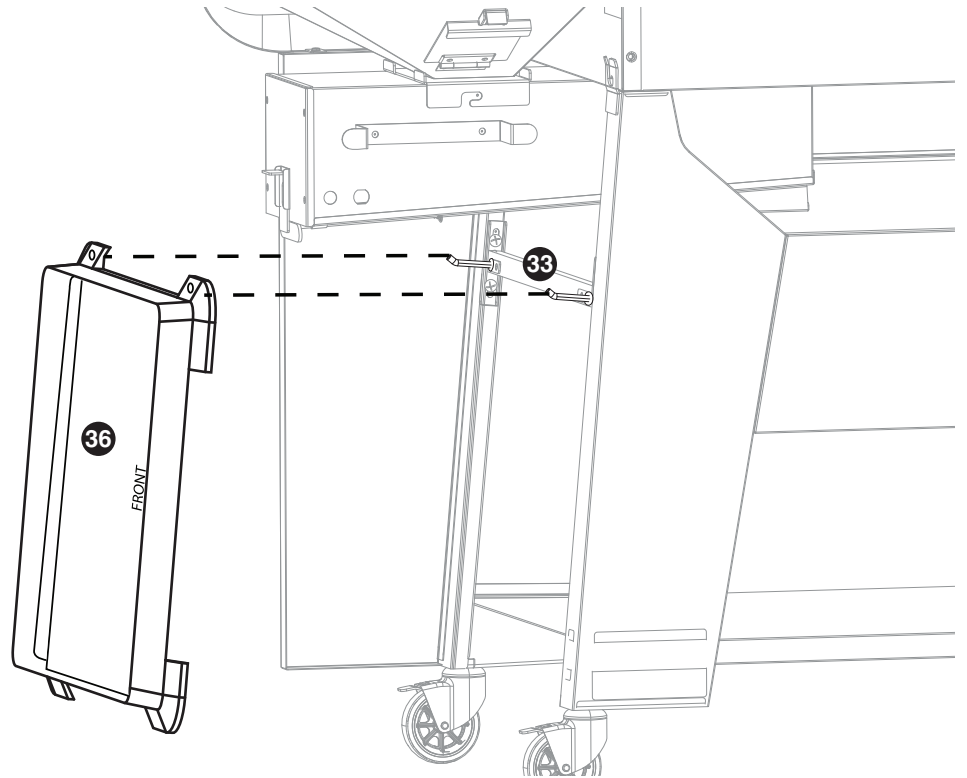


**25** ASH  
CATCHER

**23** GREASE  
CUP

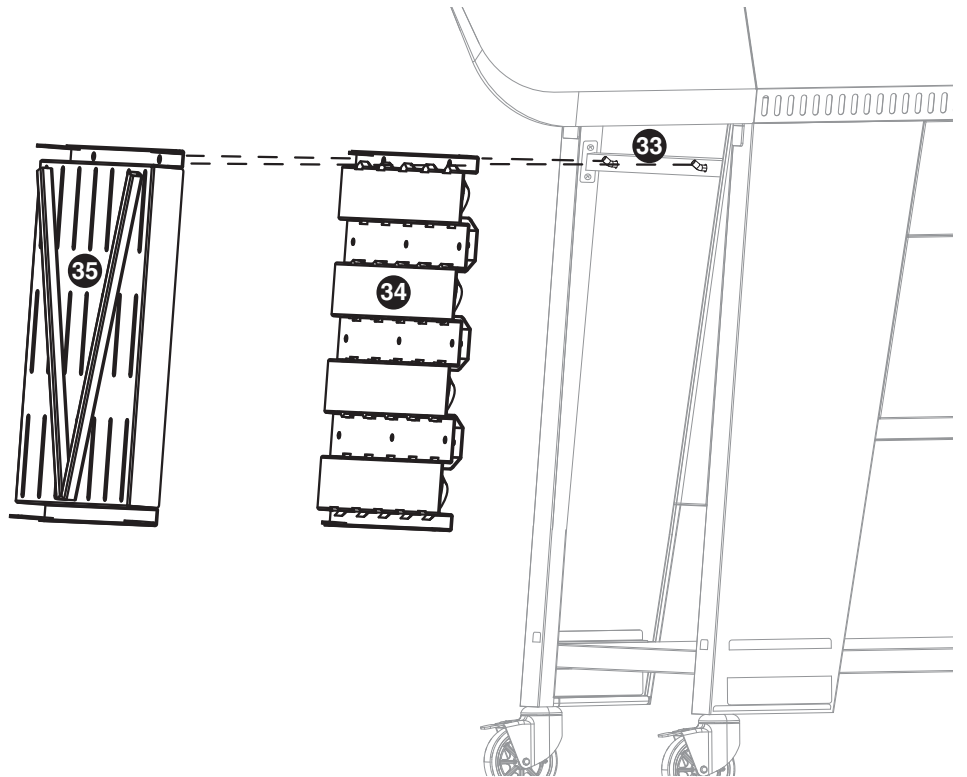
## Step 36

- Store **GRIDDLE** 36 on **ACCESSORY HOOKS** 33



## Step 37

- Store **CERAMIC INSERT** 34 and **CHARCOAL INSERT** 35 on **ACCESSORY HOOKS** 33



# Model SMK0036AS / SMK0036AS0 Assembled

