

Cuisinart®

Outdoor Grilling Products

Folding Grill Stand Manual



MODEL: CFGS-150

IMPORTANT SAFETY INSTRUCTIONS

READ AND SAVE THESE SAFETY INSTRUCTION BEFORE USING THIS GRILL STAND

⚠ DANGER:

- ⚠ Failure to follow the Dangers, Warnings and Cautions contained in this Owner's Manual may result in serious bodily injury or damage to property.
- ⚠ Never move the Cuisinart grill on the grill stand when it is in operation and/or hot.

⚠ WARNINGS:

- ⚠ When using the Cuisinart grill on the grill stand, follow all Dangers, Warnings, and Cautions associated with the Cuisinart grill.
- ⚠ Improper assembly may be dangerous. Please carefully follow the assembly instructions in this manual.
- ⚠ You should exercise reasonable care when operating your grill stand with the Cuisinart grill attached.
- ⚠ Only setup the grill stand on outdoor stable level surface before placing the Cuisinart grill on the cart.
- ⚠ Never setup the grill stand on a sloping surface. The grill stand is meant for the attachment of the Cuisinart grill only. Do not attach any other products or appliances to the grill stand.
- ⚠ Remove the Cuisinart grill from the grill stand before placing the grill stand in a vehicle or any storage area.
- ⚠ Do not move the grill stand with the Cuisinart grill attached in the lowered position over rough and uneven surfaces or up and down steps.
- ⚠ Do not move the grill stand with the Cuisinart grill attached in the upright position over rough and uneven surfaces or up and down steps.
- ⚠ Never use the grill stand as a step stool or ladder.
- ⚠ Never move the grill stand with the Cuisinart grill attached unless the Cuisinart grill is securely attached to the grill stand and the gas cylinder is detached.
- ⚠ Do not use the grill stand or place the Cuisinart grill on the grill stand if any parts are missing or damaged.

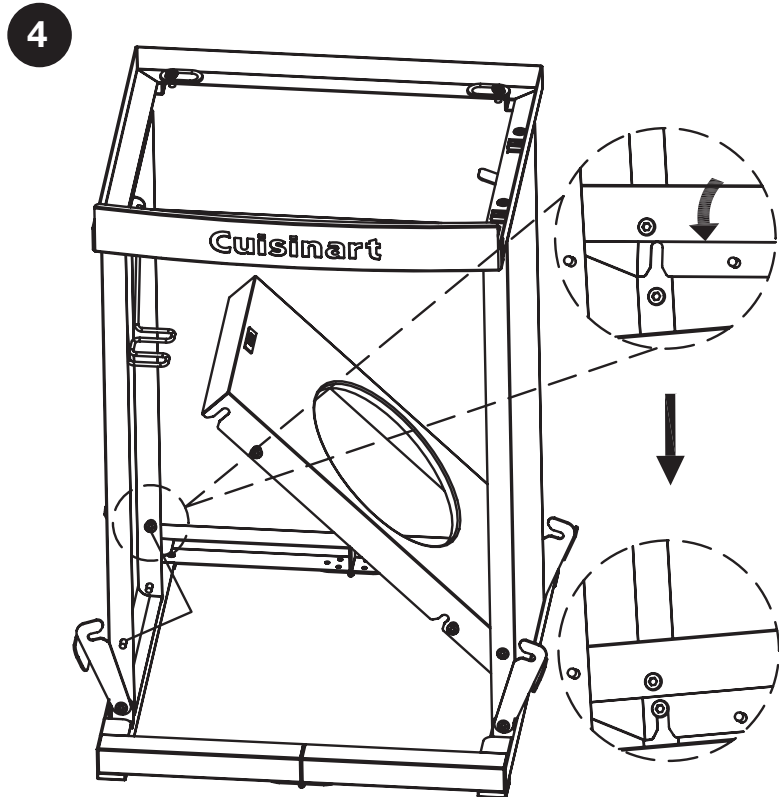
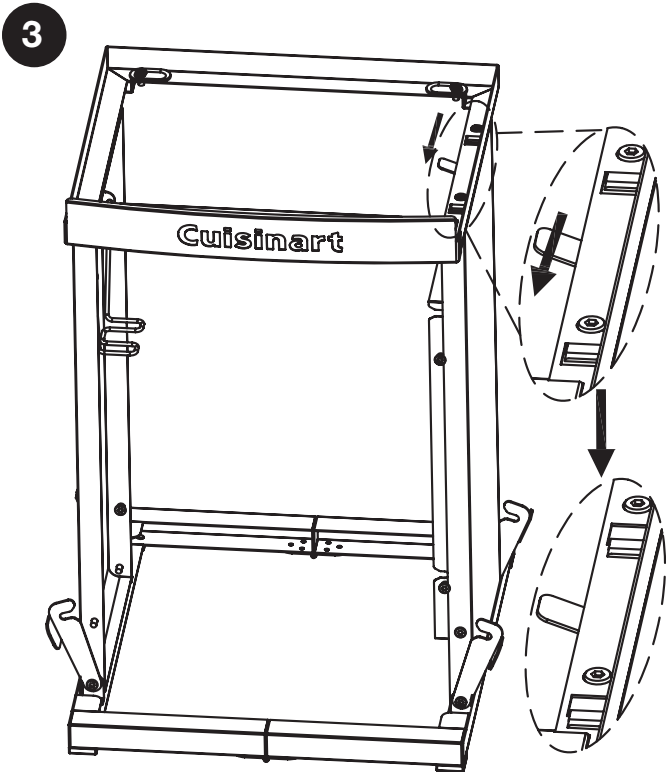
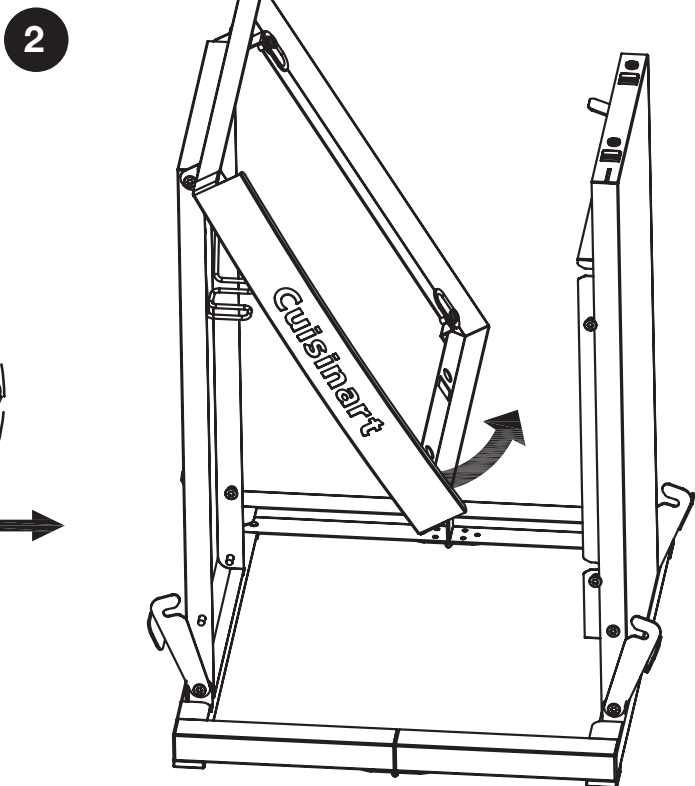
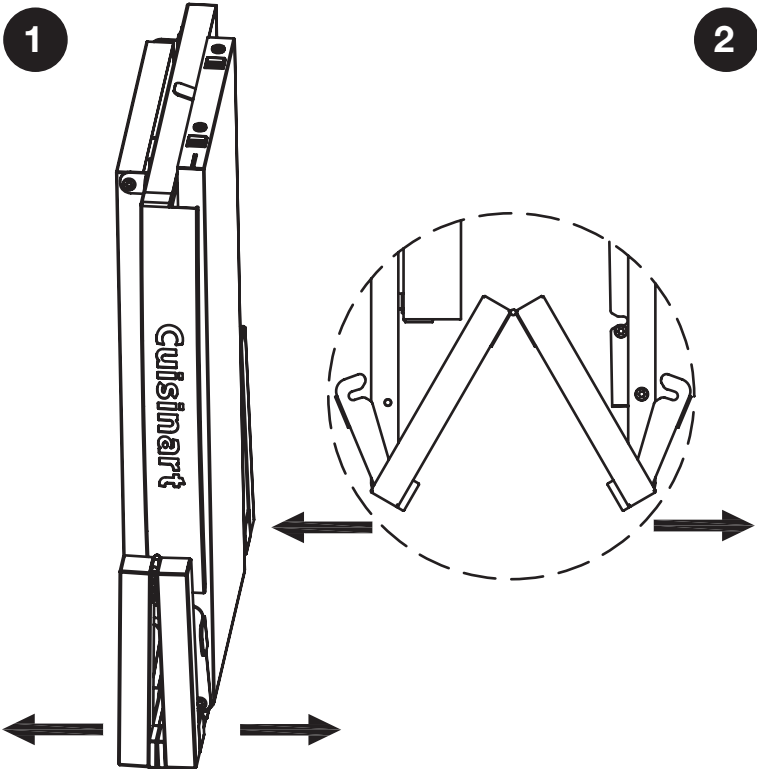
⚠ DANGER:

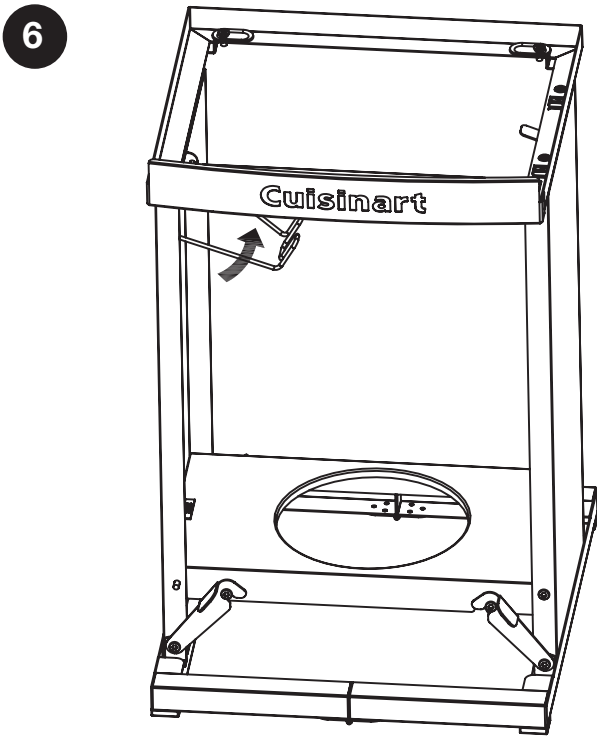
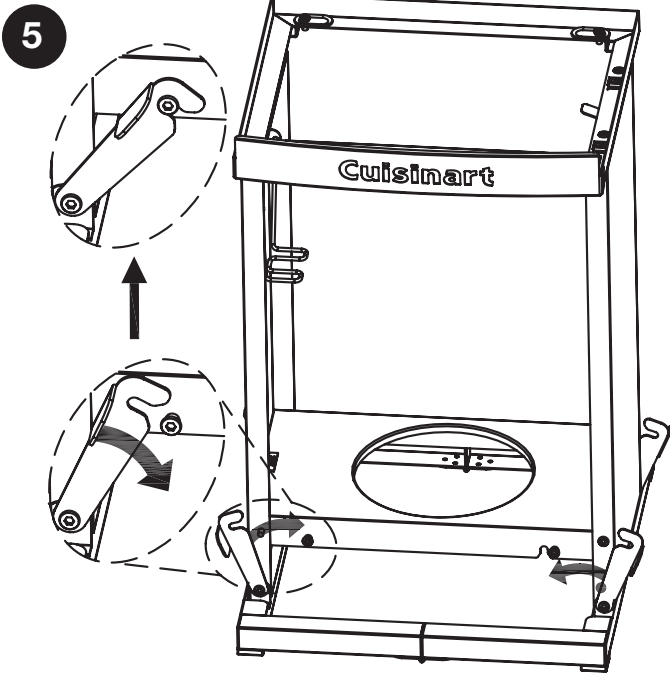
Failure to follow the Dangers, Warnings and Cautions contained in this Owner's Manual may result in serious bodily injury or death, or in a fire or an explosion causing damage to property.

⚠ GAS GRILL WARNINGS:

- ⚠ Do not store a spare or disconnected propane cylinder under or near this grill.
- ⚠ Improper assembly may be dangerous. Please carefully follow the assembly instructions in this manual.
- ⚠ Do not store grill stand inside with any LP tank attached. LP tanks must be stored outdoors and out of reach of children.
- ⚠ Cuisinart gas grill is for outdoor use only. It should NOT be used in a building, garage or any other enclosed area.
- ⚠ The use of alcohol, prescription or non-prescription drugs may impair an individual's ability to properly assemble or safely operate this appliance.
- ⚠ Do not leave the grill unattended.
- ⚠ Keep children and pets away from the grill all the times.
- ⚠ Do not use the grill in high wind.
- ⚠ Cuisinart gas grill must be used with propane gas only. Liquid propane is not natural gas. The conversion or attempted use of natural gas in a liquid propane grill is dangerous and will void your warranty.
- ⚠ Do not attempt to attach this grill to the self-contained propane system of a camper, trailer, motor home or house.
- ⚠ Do not use charcoal or lighter fluid.
- ⚠ Do not use gasoline, kerosene or alcohol for lighting .The LP-gas cylinder must be constructed and marked in accordance with the specifications for propane gas cylinder of the U.S. Department of Transportation (DOT).
- ⚠ Do not attempt to move the grill when in use. Allow the grill to cool to 115 F (45C) before moving or storing.
- ⚠ Do not use the grill unless it is COMPLETELY assembled and all parts are securely fastened and tightened .if there are any missing or damaged parts, contact customer service for a replacement.
- ⚠ Do not alter the grill in any manner.
- ⚠ Do not operate the grill if there is gas leak present.
- ⚠ The use and installation of this product must conform to local codes. In the absence of local codes, use the National Fuel Gas Code: ANSI.NFPA 58 or Natural Gas and Propane Installation Code, CSA B149.1; Propane Storage and Handling, CSA B149.2. Natural gas and Propane Installation Code.
- ⚠ Do not attempt to disconnect the gas regulator or any gas fitting while your grill is in operation.
- ⚠ If you see, smell or hear the hiss of escaping gas from the propane cylinder:
 1. Move away from propane cylinder.
 2. Do not attempt to correct the problem yourself.
 3. Call your fire department.

ASSEMBLY INSTRUCTIONS

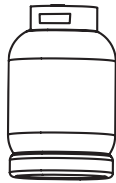




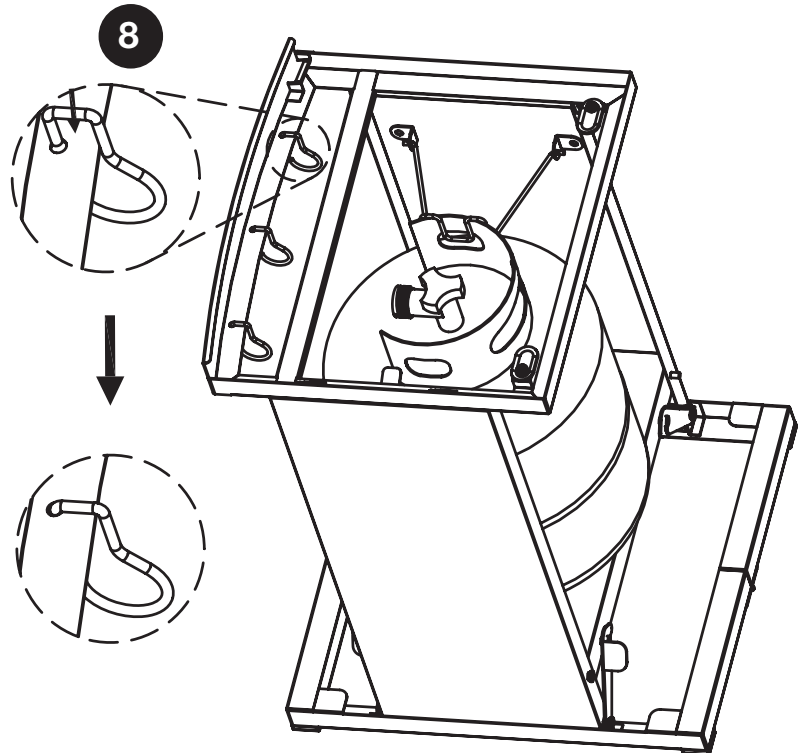
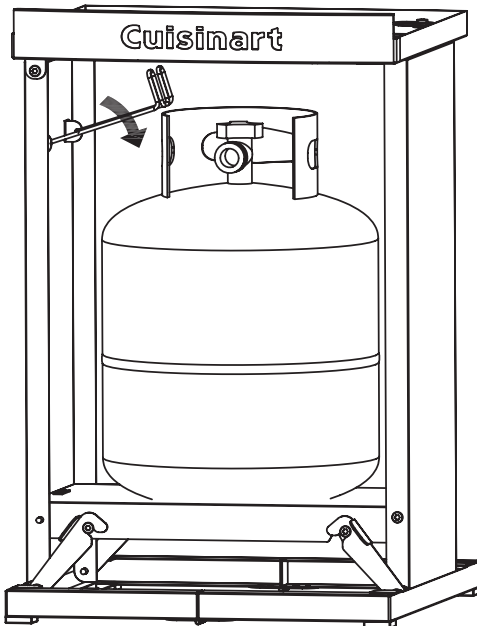
For use with portable LP cylinders (16.4oz or 14.1oz) skip to step (9)



For use with 20lbs LP tank go to step (7)



7 For 20 lbs LP tank installations only:

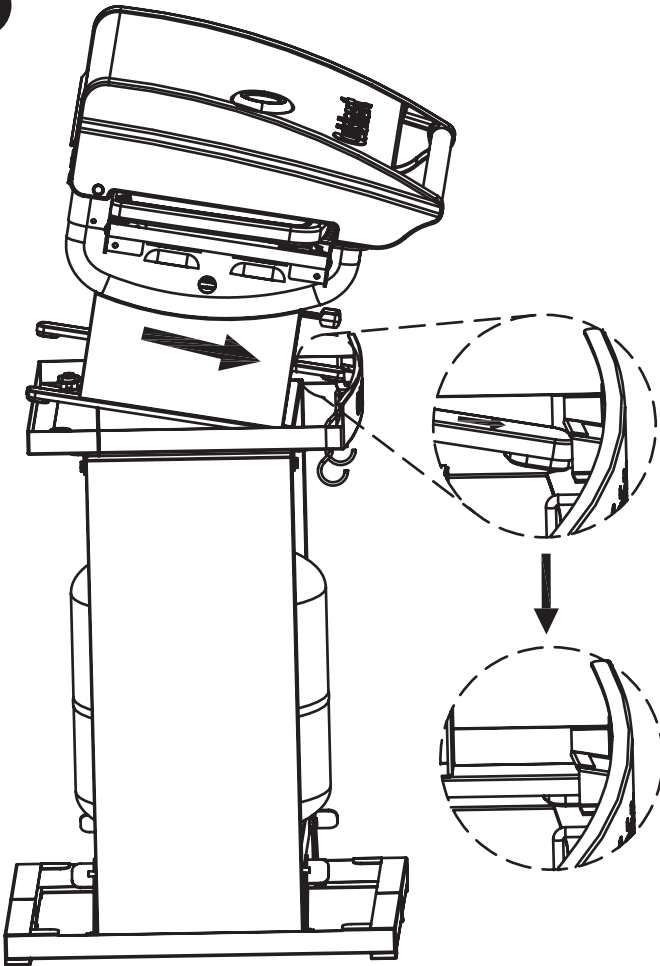


20 lbs LP tank Use:
For use only with standard sized 20lbs, LP tanks (approximately 18 1/4" high, 12 1/4" diameter).
Tank must be securely inserted into shelf hole and held stationary with positioning bracket.

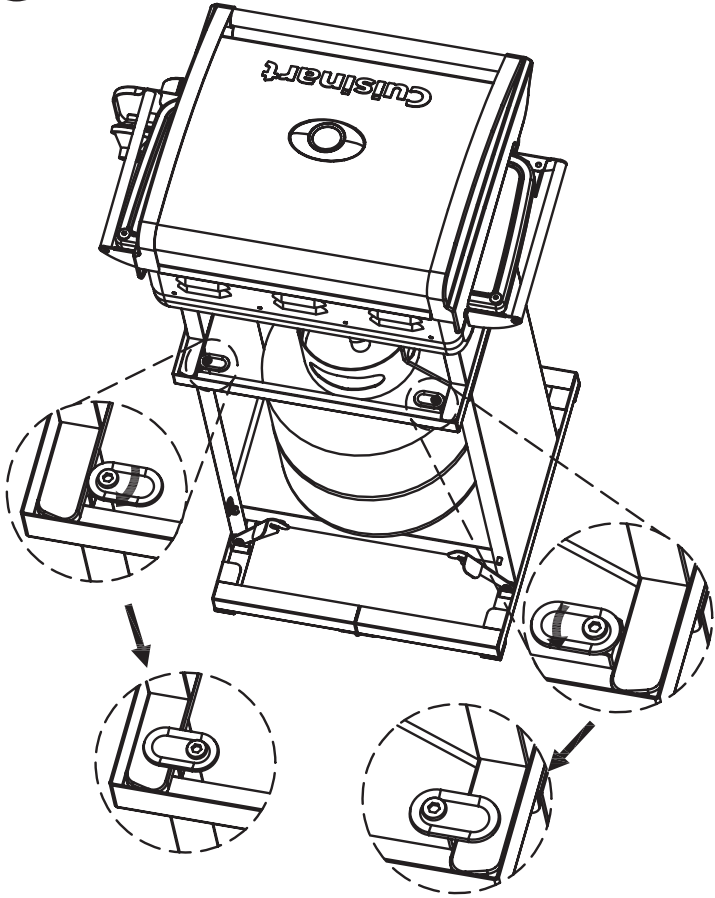
⚠ DANGER
Never store a spare LP cylinder under or near a grill.
Never fill your LP tank beyond 80% full.

ATTACHING GRILL

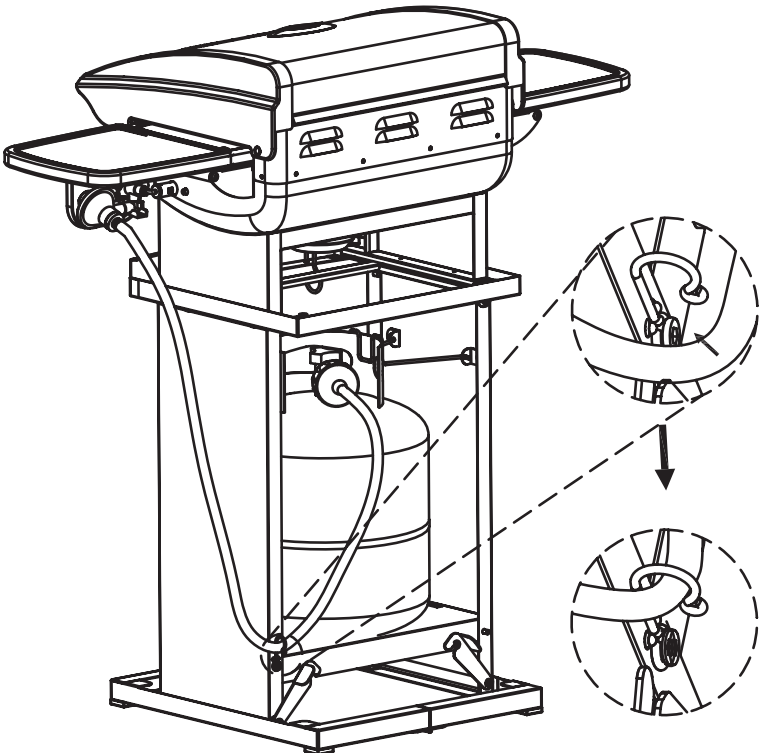
9



10



11



CONNECTING THE LIQUID PROPANE CYLINDER

⚠ WARNING:

Make sure that the LP cylinder valve is closed. Close by turning valve clockwise.

⚠ DANGER

Do not use an open flame to check for gas leaks. Be sure there are no sparks or open flames in the area while you check for leaks. Sparks or flames will result in a fire or explosion which can cause serious bodily injury or death, and damage to property.

TO CONNECT THE HOSE TO THE CYLINDER:

⚠ WARNING:

The hose must be secured to the cart leg by the hose retention clip. Failure to do so could cause damage to hose resulting in a fire or explosion, which can cause serious bodily injury or death and damage to property.

- 1) Remove the plastic dust cover from the tank valve.
- 2) Screw the hose coupling onto the tank valve, clockwise, or to the right. Handtighten only.

Note: This is a new type of connection. It tightens clockwise and will not allow gas to flow unless the connection is tight. The connection requires tightening by hand only.

⚠ WARNING:

Do not use a wrench to tighten the connection. Using a wrench could damage the regulator coupling and could cause a leak.

CHECK FOR GAS LEAKS

CHECK THAT THE BURNER VALVES ARE OFF

Check by pushing the control knob in and turning clockwise. Confirm that the knob is set in the "OFF" indicator position. Proceed to the next step. If the control knob does turn, continue turning clockwise until it stops. It is now in the OFF position. Proceed to the next step.

⚠ WARNING:

You should check for gas leaks every time you disconnect and reconnect a gas fitting.

⚠ WARNING:

Perform these leak checks even if your barbecue was dealer or store assembled.

⚠ WARNING:

Do not ignite burners when leak checking.

Warranty

This warranty covers defects in parts and workmanship for a period of 1 year from the original purchase date.

The following conditions are NOT covered by this warranty:

- Damage caused by improper assembly or disregard of the manual.
- Use of spare parts not supplied by manufacturer.
- Damage resulting from modifications or inappropriate use.
- Damage caused by improper maintenance or repairs by an unauthorized person.

Limitations and exclusions:

1. This warranty applies only to the original purchaser and may not be transferred.
2. If you can not verify the purchase date of the grill the warranty period will begin on the date the grill was manufactured.
3. Replacement or repair parts are warranted for the remaining period of the original part warranty.

Your obligations:

This grill must be assembled, installed, operated and maintained in accordance with all applicable codes and the instruction manual furnished with this grill. You must keep an invoice, cancelled check or payment record to verify the purchase date of the grill.

For customer service please call:

North American Distributor:
The Fulham Group
Newton, MA 02466

1-866-994-6390

www.cuisinart.com

Model # CFGS-150