

# Cuisinart®

## INSTRUCTION BOOKLET



**Power Cut Cordless Electric Knife**

**CEK-50**

---

# CONTENTS

Important Safeguards . . . . .	2
Features and Benefits . . . . .	5
Use and Care . . . . .	6
Cleaning, Storage and Maintenance. . . . .	7
How to Carve a Turkey. . . . .	7
How to Cut Bread. . . . .	9
How to Carve Ham on the Bone. . . . .	9
Warranty . . . . .	10

# IMPORTANT SAFEGUARDS

When using an electrical appliance, basic safety precautions should always be taken, including the following:

1. **READ ALL INSTRUCTIONS.**
2. **Unplug charging cord from outlet when not in use, before putting on or taking off parts, and before cleaning.**
3. To protect against risk of electrical shock, do not put the knife handle in water or other liquid. If handle with charging cord falls into liquids, unplug the cord from outlet immediately. Do not reach into the liquid. Do not operate knife in water or under running water.
4. To avoid possible accidental injury, close supervision is necessary when any appliance is used by or near children or individuals with certain disabilities.
5. Avoid contact with moving parts. Keep hands, hair, clothing and other utensils away from blade during operation to reduce risk of injury to persons and/or damage to the knife.
6. Do not operate any appliance with a damaged cord or plug or after the appliance has malfunctioned or has been dropped or damaged in any way or is not operating properly. Return the appliance to the nearest Cuisinart Consumer Service Center for examination, repair, mechanical or electrical adjustment.
7. The use of attachments not recommended by Cuisinart may cause fire, electrical shock, or risk of injury.
8. Do not use outdoors or anywhere the knife might come into contact with water while in use.
9. To avoid the possibility of the knife being accidentally pulled off work area, while plugged in and charging, which could result in damage to the knife or personal injury, do not let charging cord hang over edge of table or counter while charging.
10. To avoid damage to cord and possible fire or electrocution hazard, do not let charging cord contact hot surfaces, including a stove.

- 
11. Blades are sharp. Handle carefully. Always handle blades with hand away from cutting edge. Always put blades into their sheaths before inserting in the storage case.
  12. **When storing in an appliance garage, always be sure the charging cord is unplugged from the unit from the electrical outlet.** Not doing so could create a risk of fire, especially if the appliance touches the walls of the garage or the door touches the unit as it closes.
  13. Do not use an extension cord. Plug charging cord directly into an electric outlet.
  14. Use only with the charger provided with the appliance. Do not attempt to use this charger with any other product. Likewise, do not attempt to charge this appliance with any other charger.
  15. Do not incinerate this appliance even if it is severely damaged. The batteries can explode in a fire.

## **SAVE THESE INSTRUCTIONS FOR HOUSEHOLD USE ONLY**

---

# UNPACKING INSTRUCTIONS

## IMPORTANT PLEASE READ

This package contains a Cuisinart® Power Cut Cordless Electric Knife with the following parts:

- Knife Handle
- Two-piece, Serrated Blade for Carving/Bread
- Single Straight Edge Blade with Support Piece
- Display/Storage Case
- Charger
- Instruction Booklet

To avoid any injury to yourself or damage to the Cuisinart® Power Cut Cordless Electric Knife, please follow these unpacking instructions:

1. Place the gift box containing your Cuisinart® Power Cut Cordless Electric Knife on a flat, sturdy surface before unpacking.
2. Remove the Instruction Booklet and other printed materials.
3. Next, turn the box on its side and slide the entire unit out, including packing materials.
4. Carefully remove the unit from the protective bag.
5. Place the unit on a counter or table and read the instructions thoroughly before using.
6. Save shipping carton and inserts for later use.

**NOTE:** Remember to return your warranty card with all information carefully and completely filled out.

---

# FEATURES AND BENEFITS

Two unique blades offer more options than ever. Combined with the convenience of cordless operation, this is a knife you may find yourself using every day!

**1. Blades:**

Two full size blades

A) Serrated blade for meat, poultry and even crusty artisan breads.

B) Straight edge blade with support piece for slicing fruits, vegetables, cheeses and fish. Cut outs on blade help prevent ingredients from sticking.

**2. Blade Release Buttons (only 1 shown)**

Push both at the same time to easily insert, remove or change blades.

**3. On/Off Control:**

One-touch, pressure-activated on/off trigger control for simple operation. Convenient for left- or right-hand use.

**4. Lock/Unlock Safety Switch:**

Eliminates knife being turned on accidentally.

**5. Handle:**

Elegant ergonomic handle reflects look and feel of fine cutlery.

**6. Power Indicator/Charging Light**

**7. Case**

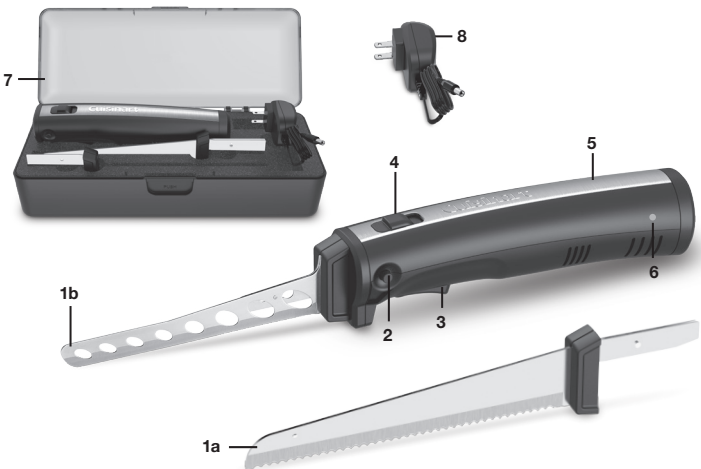
**8. Electrical Cord/Charge Plug/Insert:**

5-foot cord for maximum flexibility.

NOTE: Knife does not operate when plugged into charger.

**9. BPA free (not shown):**

All materials that come in contact with food are BPA free.



---

## BEFORE YOU BEGIN

Before using the Cuisinart® Power Cut Cordless Electric Knife for the first time, we recommend that you wipe the unit with a clean, damp cloth to remove any dirt or dust. Dry it thoroughly with a soft, absorbent cloth. Handle carefully. Wash the knife blades and detachable handle by hand. Dry thoroughly before use.

Read all instructions completely for detailed operating procedures.

## CHARGING YOUR KNIFE BATTERY

The batteries in your Cuisinart® Power Cut Cordless Electric Knife have not been fully charged. Before the first use of this appliance, the batteries must be charged until the GREEN battery indicator light illuminates. With a full charge, your knife will run for approximately 20 minutes, depending on load. When charging, the light will flash.

Note: This cordless knife does not operate when plugged into charger.

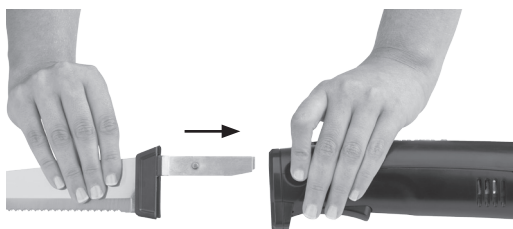
**NOTE:** Do not leave your electric knife uncharged for an extended period of time, as it will affect the life of the rechargeable battery.

## USE AND CARE

### Inserting Blades

**Caution:** Blades are very sharp; be careful when handling them. Always hold blades with cutting edge away from you.

1. Remove protective sleeves.
2. **To insert the Serrated Blade, first assemble the 2-piece, Serrated Blade by inserting the rivet on one blade into the keyhole of the other blade. Press in blade release buttons on both sides of handle and insert blade tabs into the two slots in handle. Release buttons to lock in place.**



3. **To insert the Straight Edge Blade, first attach short support piece onto raised divot on blade, and slide back. Press right blade release button and insert blade into left slot on handle. Release buttons to lock.**

---

## Operating Knife

1. **Push Lock/Unlock safety switch forward** to Unlock position and hold.



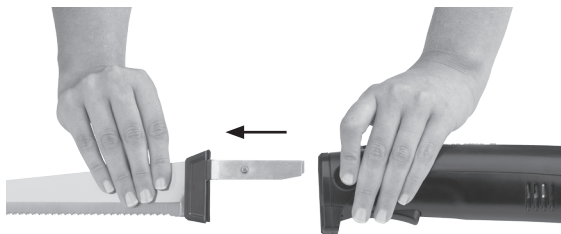
2. **While continuing to push the lock/unlock safety switch forward, squeeze and hold the On/Off trigger** as you cut, keeping blades parallel to cutting surface.



3. Release grip on Lock/Unlock switch. **NOTE:** Blade automatically stops and Lock/Unlock switch returns to Lock positions when trigger is released.

**CAUTION:** NEVER place your hand on top of the blade to support it while operating the knife, as blades are designed to move back and forth.

## CLEANING, STORAGE AND MAINTENANCE



1. To remove the blade, squeeze the Blade Release Buttons and grasp the blade with the cutting edge away from you. Slowly pull blade out from handle.
2. Separate the 2-pieces of the blades. Wash blades in hot, soapy water or the dishwasher and dry thoroughly.
3. Clean the handle with a slightly damp cloth and wipe dry.

---

**Caution:** Do not clean handle with blade in place. Do not immerse the appliance in water or other liquids or place it under running water.

**Maintenance:** Any other servicing should be performed by an authorized service representative.

## HOW TO CARVE A TURKEY

Carving a large bird, especially in front of hungry guests, can be a daunting task—the watering mouths, critical eyes, rumbling stomachs. With the Cuisinart® Power Cut Cordless Electric Knife, a little guidance and some helpful hints. We hope to make this task a pleasurable experience.

**Tip:** Cut dark meat first, as it does not dry out as quickly as the white meat of the breast.

### Preparation:

1. Remove the turkey from the oven.
2. Cover loosely with foil and let stand 15 to 30 minutes to let the juices set and the meat firm up. The turkey will be more moist, easier to carve and the slices will hold together better.
3. Remove the stuffing.
4. Place turkey on a carving board, breast side up, with the legs facing you. You'll need your Cuisinart® Power Cut Cordless Electric Knife fitted with the serrated blade and a large carving fork to hold the bird.

### Cutting the legs and wings:

1. Hold the tip of one drumstick with your fingers and gently pull the leg away from the body of the turkey.
2. Holding the turkey steady with a carving fork, cut the skin between the thigh and the breast.
3. Pull the leg out farther to expose the joint where the thigh connects, and cut through joint with the knife to remove the leg.
4. Next, hold the drumstick with the fork and cut at the joint between the drumstick and thigh to separate the two pieces.
5. Slice the meat on the drumstick by cutting along the bone to get thick slices.
6. Turn the drumstick and continue slicing along the bone until all of the meat is removed.
7. To remove meat from the thigh, cut thick slices to the bone. If the turkey is small, the drumstick and thigh may be served whole.
8. Using the fork, hold the wing away from the body and cut through the joint. The wing can be served as is.
9. Repeat on other side to remove leg and wing.

Tip: The key to carving the thighs, legs, and wings is to cut through the joints, and not through the bones. **We do not recommend using your Cuisinart® Power Cut Cordless Electric Knife on bones as it could cause damage to the knife or personal injury.**



---

### **Carving the breast:**

1. Hold the breast with the carving fork, and starting at the outer side of one breast, cut slices parallel to the rib cage, from the top of the breast downward. The slices should be thin, even and the entire length of the breast. The slices will get larger as you work toward the rib cage. Continue slicing until you reach the bones.
2. Repeat on the other side of the breast.

**Tip:** Angle the knife parallel to the rib cage, rather than digging into the meat.

**Tip:** Some yummy leftovers that can be made from the smaller pieces of meat near the bones include: soup, casserole, chili, salad, tacos, etc.

## **HOW TO CUT BREAD:**

1. First, to cut the bread straight across, place the loaf on a carving board.
2. Holding the bread firmly yet gently in one hand, place the knife fitted with the serrated blade, over the bread, parallel to the carving board, making sure the tip of the knife extends past the side of loaf.
3. Cut slices to preference.

**Tip:** The Cuisinart® Power Cut Cordless Electric Knife works well on bread by gently pulling the knife toward you as it cuts downward through the bread.

## **HOW TO CARVE HAM ON THE BONE**

1. Remove the ham from the oven, cover loosely with foil and let stand for 20 minutes.
2. Place ham on a carving board.
3. Holding the ham steady with a carving fork, use your Cuisinart® Power Cut Cordless Electric Knife, fitted with the serrated blade, to trim away the excess fat from the outside of the ham.
4. Next, stand the ham on end, holding the shank (smaller) end in your hand.
5. Slice into the ham just below the shank, at the stifle joint, where the ham gets bigger.
6. Cut along the bone, which is curved, and then around the socket joint at the sirloin end. The meat will not cut completely away from the bone yet.
7. Rotate the ham so the uncut side is up, and holding the shank end with your hand, slice into the ham at the joint, cutting downward until the meat falls away from bone.
8. Cut off any large remaining pieces of meat. Carve the ham in even slices, keeping your knife parallel to the carving board and holding the ham securely with a carving fork.

---

## Limited 18-month Warranty (U.S. and Canada ONLY)

This warranty is available to consumers only. You are a consumer if you own a Cuisinart® Power Cut Cordless Electric Knife that was purchased at retail for personal, family or household use. Except as otherwise required under applicable law, this warranty is not available to retailers or other commercial purchasers or owners. We warrant that your Cuisinart® Power Cut Cordless Electric Knife will be free of defects in materials and workmanship under normal home use for 18-month from the date of original purchase.

We recommend that you visit our website, [www.cuisinart.com](http://www.cuisinart.com) for a fast, efficient way to complete your product registration. However, product registration does not eliminate the need for the consumer to maintain the original proof of purchase in order to obtain the warranty benefits. In the event that you do not have proof of purchase date, the purchase date for purposes of this warranty will be the date of manufacture.

### **CALIFORNIA RESIDENTS ONLY**

California law provides that for In-Warranty Service, California residents have the option of returning a nonconforming product (A) to the store where it was purchased or (B) to another retail store that sells Cuisinart® products of the same type. The retail store shall then, according to its preference, either repair the product, refer the consumer to an independent repair facility, replace the product, or refund the purchase price less the amount directly attributable to the consumer's prior usage of the product. If neither of the above two options results in the appropriate relief to the consumer, the consumer may then take the product to an independent repair facility, if service or repair can be economically accomplished. Cuisinart and not the consumer will be responsible for the reasonable cost of such service, repair, replacement, or refund for nonconforming products under warranty. California residents may also, according to their preference, return nonconforming products directly to Cuisinart for repair or, if necessary, replacement by calling our Consumer Service Center toll-free at 800-726-0190.

Cuisinart will be responsible for the cost of the repair, replacement, and shipping and handling for such nonconforming products under warranty.

### **BEFORE RETURNING YOUR CUISINART® PRODUCT**

If your Cuisinart® Power Cut Cordless Electric Knife should prove to be defective within the warranty period, we will repair or, if we think necessary, replace it. To obtain warranty service, please call our Customer Service Center toll-free at 1-800-726-0190 or write to: Cuisinart, 7475 North Glen Harbor Blvd. Glendale, AZ 85307. To facilitate the speed and accuracy of your return, enclose \$10.00 for shipping and handling. (California residents need only supply a proof of purchase and should call 1-800-726-0190 for shipping instructions.) Please be sure to include your return address, description of the

---

product's defect, product serial number, and any other information pertinent to the return. Please pay by check or money order. NOTE: For added protection and secure handling of any Cuisinart® product that is being returned, we recommend you use a traceable, insured delivery service. Cuisinart cannot be held responsible for in-transit damage or for packages that are not delivered to us. Lost and/or damaged products are not covered under warranty.

Your Cuisinart® Power Cut Cordless Electric Knife has been manufactured to the strictest specifications and has been designed for use only in 120 volt outlets and only with authorized accessories and replacement parts. This warranty expressly excludes any defects or damages caused by attempted use of this unit with a converter, as well as use with accessories, replacement parts or repair service other than those authorized by Cuisinart. This warranty does not cover any damage caused by accident, misuse, shipment or other than ordinary household use. This warranty excludes all incidental or consequential damages. Some states do not allow the exclusion or limitation of these damages, so these exclusions may not apply to you. You may also have other rights, which vary from state to state.

**Important:** If the nonconforming product is to be serviced by someone other than Cuisinart's Authorized Service Center, please remind the servicer to call our Consumer Service Center at 1-800-726-0190 to ensure that the problem is properly diagnosed, the product is serviced with the correct parts, and to ensure that the product is still under warranty

---

Any other trademarks or service marks referred to herein are the trademarks or service marks of their respective owners.

©2017 Cuisinart  
150 Milford Road  
East Windsor, NJ  
08520

Printed in China  
17CE027979

**IB-14336-ESP-A**