

Cuisinart®

INSTRUCTION
BOOKLET



Custom Control™ 2-Slice Toaster

CPT-60M Series

For your safety and continued enjoyment of this product, always read the instruction book carefully before using.

IMPORTANT SAFEGUARDS

When using an electrical appliance, basic safety precautions should always be followed, including the following:

1. **Read all instructions.**
2. **Do not touch hot surfaces. Use handles or knobs.**
3. To protect against electrical shock, do not place any part of the toaster in water or other liquid. See instructions for cleaning.
4. Close supervision is necessary when any appliance is used by or near children.
5. Always unplug from outlet when not in use and before cleaning. Allow to cool before cleaning or handling.
6. Do not operate any appliance with a damaged cord or plug, or after the appliance has malfunctioned or has been dropped or damaged in any way, or if it is not operating properly. Return the toaster to the nearest Cuisinart Repair Center for examination, repair, or mechanical or electrical adjustment.
7. The use of accessory attachments not recommended by Cuisinart may cause injury.
8. Do not use outdoors.
9. Do not let cord hang over the edge of the table or countertop or touch hot surfaces.
10. Do not place toaster on or near a hot gas or electric burner or in a heated oven.
11. Do not use this toaster for other than intended use.
12. **Oversize foods, metal foil packages or utensils must not be inserted in the toaster as they may involve a risk of fire or electric shock.**
13. **A fire may occur if the toaster is covered or touching flammable materials, including curtains, draperies, walls and the like, when in operation. Do not operate under wall cabinets.**
14. Do not attempt to dislodge food when the toaster is plugged into electrical outlet.
15. To avoid possibility of fire, do not leave toaster unattended during use. Unplug when not in use.
16. To disconnect, push the cancel button, then remove plug from wall.

SAVE THESE INSTRUCTIONS FOR HOUSEHOLD USE ONLY

SPECIAL CORD SET INSTRUCTIONS

A short power-supply cord is provided to reduce the risks resulting from becoming entangled in or tripping over a longer cord. Longer extension cords are available and may be used if care is exercised in their use. If a long extension cord is used, the marked electrical rating of the extension cord should be at least as great as the electrical rating of the appliance, and the longer cord should be arranged so that it will not drape over the countertop or tabletop where it can be pulled on by children or tripped over.

NOTICE

This appliance has a polarized plug (one blade is wider than the other). As a safety feature, this plug will fit in a polarized outlet only one way. If the plug does not fit fully in the outlet, reverse the plug. If it still does not fit, contact a qualified electrician. Do not attempt to defeat this safety feature.

TABLE OF CONTENTS

Important Safeguards	Page 2
Introduction	Page 2
Features and Benefits.....	Page 3
Use and Care.....	Page 3
Cleaning and Maintenance	Page 5
Warranty.....	Page 5

INTRODUCTION

Toasting has never been easier than with the Cuisinart® Custom Control™ 2-Slice Toaster. Separate bagel, reheat and defrost functions combined with six shade settings ensure perfectly toasted waffles, bagels, muffin halves, and, of course, bread! The Always Even™ Shade control means even toasting every time and the extra-long, extra-wide 1½" slots hold all your favorites, from the thinnest low-carb bread to the thickest homemade slices. The crumb tray slides out for quick cleaning and the cool-touch housing wipes clean in seconds.

FEATURES AND BENEFITS

1. Extra Wide and Long Toasting Slot

1½" wide toaster slot is 11" long.

2. Shade Control Dial

Sets desired toast color from light to dark using settings 1-6.

3. Function Control Dial

Choose bagel, defrost or reheat for custom settings.

4. Carriage / Start Lever

Lowers bread into slot to start toaster, and pops up automatically at end of cycle. Also use to pop up toast before end of cycle.

5. Cancel Control

Cancel control button interrupts toasting process.

6. Always Even™ Shade Control (not shown)

Electronically monitors and adjusts toaster's internal temperature to provide consistent toasting results from one use to the next. Heating elements deliver even heat for uniform browning.

7. Self-Centering Bread Rack

Centers all shapes and sizes of bread in the middle of toaster chamber for more even toasting results.

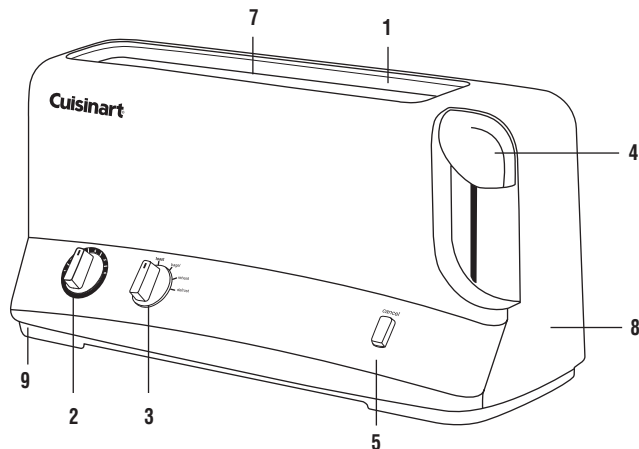
8. Cool-Touch Housing

9. Slide-out Crumb Tray

Removes easily to clean crumbs from bottom of toaster.

10. Cord Storage (not shown)

Takes up excess cord and keeps countertop neat.



USE AND CARE

Unwind the power cord. Check that the crumb tray is in place and that there is nothing in the toaster slot. Plug power cord into the wall outlet.

1. Insert Slice(s) of Bread.

Be sure that multiple slices do not overlap and that the carriage is in the up position.

2. Set the Browning Control.

Turn rotary switch to the desired position:

Setting	Color
1-2	light
3-4	medium
5-6	dark

Some notes on browning:

Toasting is a combination of cooking and drying of the bread. Therefore, differences in moisture level from one bread to another can result in varying toasting times.

- For slightly dry bread, use a lower setting than you normally would.
- For very fresh bread or whole wheat bread, use a higher setting than normal.
- Breads with very uneven surfaces (such as English muffins) will require a higher toast setting.
- Thickly cut pieces of bread (including bagels) will take longer to toast, sometimes significantly longer, since more moisture must be evaporated from the bread before toasting can occur. Very thick pieces may require two cycles.
- When toasting raisin or other fruit breads, remove any loose raisins, etc. from the surface of the bread before placing into the toaster. This will help prevent fruit pieces from falling into the toaster or sticking on the guide wires in the slot.
- Before toasting bagels, slice each bagel into two equal halves.

Single Slice Toasting:

If you are toasting a single slice of bread, set the heat selector to a lighter setting than you normally would. The toaster is designed to heat the whole toasting chamber for two slices. By lowering the heat for a single slice, you won't overtoast.

Notes on Specialty Uses:

The following breads and pastries should be warmed using the "Defrost" button: Frozen Waffles, Pancakes, French Toast and Frozen Bagels

Toaster pastries: Exercise caution with toaster pastries; the filling can become quite hot, long before the surface of the pastry becomes browned. Never leave toaster pastries unattended while toasting or warming.

3. To Begin Toasting:

Press the carriage lever until it locks into the down position.

4. To Stop Toasting:

When the toasting cycle is finished, the toast will be raised. If you wish to stop the cycle before it is finished, simply press the “Cancel” button.

Tips:

- Never force foods into the toasting slot. Foods should fit freely between the guide wires.
- Do not place buttered breads or pastries with fillings or frostings in the toaster, as this could create a fire hazard.
- Uneven toasting is usually due to bread slices of uneven thickness.
- After use, unplug your toaster from the electrical outlet.

Defrost Function

The “Defrost” function is designed to first defrost and then toast the bread, which extends the toasting cycle slightly.

1. Insert slice(s) of bread.

Be sure that multiple slices do not overlap and the carriage is in the up position.

2. Set the Browning Control.

Settings 1-2:

For refrigerated breads and thinner frozen items such as frozen pancakes.

Settings 3-4:

For toaster pastries, frozen waffles and (thin) French toast, and refrigerated bagels.

Settings 5-6:

For thicker frozen items such as bagels, hand-cut bread and thick French toast.

3. Select the “Defrost” function on the Control Dial.

4. Press the Carriage control lever until it locks into position.

To stop cycle:

When the defrost cycle is complete, the toaster will raise the bread. If you wish to stop the cycle before it is finished, simply press the “Cancel” button to interrupt. After use, unplug the toaster from the electrical outlet.

Reheat Function

The reheat feature allows you to reheat bread without browning or toasting.

1. Insert slice(s) of bread.

Be sure that multiple slices do not overlap and the carriage is in the up position.

2. Select the “Reheat” function on the Control Dial.

3. Press the carriage control lever until it locks into position.

To stop cycle:

When the reheat cycle is complete, the toaster will raise the bread. If you wish to stop the cycle before it is finished, simply press the cancel button to interrupt.

After use, unplug the toaster from the electrical outlet.

Bagel Function

The bagel feature adds extra time to the toasting cycle to allow for thicker breads.

1. Insert slice(s) of bread.

Be sure that multiple slices do not overlap and the carriage is in the up position.

2. Select the “Bagel” function on the Control Dial.

3. Press the carriage control lever until it locks into position.

4. When the Bagel cycle is complete, the toaster will raise the bread. If you wish to stop the cycle before it is finished, simply press the “Cancel” button to interrupt.

REMEMBER: To set the function control dial back to the “toast” position after using one of the specialty functions (Bagel, Defrost or Reheat) upon completion of the cycle.

CLEANING AND MAINTENANCE

Always allow the toaster to cool completely before cleaning.

1. Always unplug the toaster from the electrical outlet.
2. Do not use abrasive cleansers. Simply wipe the exterior with a clean damp cloth and dry thoroughly. Apply any cleansing agent to a cloth, not to the toaster, before cleaning.
3. To remove crumbs, slide out the crumb tray and discard crumbs. Wipe clean and replace. Never operate the toaster without the crumb tray in place.
4. To remove any pieces of bread remaining in the toaster, turn the toaster upside down and gently shake. Never insert any hard or sharp instruments into the slot, as this could damage the toaster and cause a safety hazard.
5. Never wrap the cord around the outside of the toaster. Use the cord storage cleats on the underside of the toaster.

CUISINART® CUSTOM CONTROL™ 2-SLICE TOASTER LIMITED 3 YEAR WARRANTY

This limited warranty is available to consumers only. You are a consumer if you own a Cuisinart® Toaster which was purchased at retail for personal, family or household use. Except as otherwise required under applicable state law, this warranty is not available to retailers or other commercial purchasers or owners.

We warrant that your Cuisinart® Toaster will be free of defects in materials and workmanship under normal home use for three years from the original date of purchase.

We suggest you complete and return the enclosed product registration card promptly to facilitate verification of the date of original purchase. However, return of the product registration card does not eliminate the need for the consumer to maintain the original proof of purchase in order to obtain the warranty benefits. In the event that you do not have proof of purchase date, the purchase date for purposes of this warranty will be the date of manufacture. If your toaster should prove to be defective within the warranty period, we will repair or replace it at our option. To obtain warranty service, simply send the defective product to:

Cuisinart, 150 Milford Rd.,
E. Windsor, NJ 08520, or call our Consumer Service Center
toll-free at 1-800-726-0190.

To facilitate the speed and accuracy of your return, please also enclose \$7.00 for shipping and handling of the product. **CA residents need only provide proof of purchase and should call 1-800-726-0190 for shipping instructions.** Please be sure to include a return address, description of the product defect, product serial number and any other information pertinent to the product's return. Please pay by check or money order.

Note: For added protection and secure handling of any Cuisinart® product that is being returned, we recommend you use a traceable, insured delivery service. Cuisinart cannot be held responsible for in-transit damage or for packages that are not delivered to us. Lost and/or damaged products are not covered under warranty.

Your Cuisinart® Toaster has been manufactured to the strictest specifications and has been designed for use with authorized Cuisinart® accessories and replacement parts. **THIS WARRANTY EXPRESSLY EXCLUDES ANY DEFECTS OR DAMAGES CAUSED BY ACCESSORIES, REPLACEMENT PARTS OR REPAIR SERVICE OTHER THAN THOSE WHICH HAVE BEEN AUTHORIZED BY CUISINART. THIS LIMITED WARRANTY DOES NOT COVER ANY DAMAGE CAUSED BY ACCIDENT, MISUSE, SHIPMENT OR OTHER THAN ORDINARY HOUSEHOLD USE.**

THIS WARRANTY EXCLUDES ALL INCIDENTAL OR CONSEQUENTIAL DAMAGES. Some states do not allow the exclusion or limitation of these damages, so these exclusions may not apply to you. **ALL APPLICABLE IMPLIED WARRANTIES, INCLUDING THE IMPLIED WARRANTY OF MERCHANTABILITY AND FITNESS FOR A PARTICULAR PURPOSE, GIVEN TO YOU BY LAW, ARE HEREBY LIMITED IN DURATION TO THIS WARRANTY.**

This warranty gives you specific legal rights and you may have other rights which vary from state to state.

If you have any questions about the safety features of your Cuisinart® Toaster, please call us, toll-free, at 1-800-726-0190.

BEFORE RETURNING YOUR CUISINART PRODUCT

If you are experiencing problems with your Cuisinart product, we suggest that you call our Consumer Service Center at 1-800-726-0190 before returning the product for servicing. Often, our Consumer Service Representatives can help solve the problem without having the product serviced. If servicing is needed, a representative can confirm whether the product is under warranty and direct you to the nearest service location.

***Important: If the nonconforming product is to be serviced by someone other than Cuisinart's Authorized Service Center, please remind the Servicer to call our Consumer Service Center at 1-800-726-0190 to ensure that the problem is properly diagnosed, the product is serviced with the correct parts, and the product is still under warranty.**

CALIFORNIA RESIDENTS ONLY

California law provides that for In-Warranty Service, California residents have the option of returning a nonconforming product (A) to the store where it was purchased or (B) to another retail store which sells Cuisinart products of the same type. The retail store shall then decide to either repair the product, refer the consumer to an independent repair facility, replace the product, or refund the purchase price less the amount directly attributable to the consumer's prior usage of the product. If either of the above two options does not result in the appropriate relief to the consumer, the consumer may then take the product to an independent repair facility if service or repair can be economically accomplished. Cuisinart and not the consumer will be responsible for the reasonable cost of such service, repair, replacement, or refund for nonconforming products under warranty.

California residents may also, according to their preference, return nonconforming products directly to Cuisinart for repair or, if necessary, replacement, by calling our Consumer Service Center toll-free at 1-800-726-0190. Cuisinart will be responsible for the cost of the repair, replacement, and shipping and handling of such nonconforming products under Warranty.

Cuisinart®

SAVOR THE GOOD LIFE®



Coffeemakers



Food Processors



Toasters



Blenders



Cookware



Ice Cream Makers

Cuisinart offers an extensive assortment of top quality products to make life in the kitchen easier than ever. Try some of our other countertop appliances and cookware, and Savor the Good Life®.

www.cuisinart.com

©2004 Cuisinart
Cuisinart® is a registered
trademark of Cuisinart
150 Milford Road
East Windsor, NJ 08520
Printed in China
04CU13388

G IB-5582A

Version no.: <u>IB-5582A</u>
Size : <u>178MM(H)X216MM(W)</u> <u>SADDLE STITCHED(8PP)</u>
Material: <u>COVER:157GSM MATT ARTPAPER</u> <u>INSIDE:120GSM GLOSS ARTPAPER</u>
Coating: <u>_NO COATING</u>
Color: <u>COVER: 4C+1C(BLACK)</u> <u>INSIDE:1C+1C(BLACK)</u>
Date: <u>OCT-06-2004</u>
Hugo Description : <u>CPT-60M IB-5582A (0,0) BOOK</u> OPERATOR: CHUNQIU
Hugo code:GEW528IB-1A2/2A2

