

Cuisinart baby™

INSTRUCTION AND RECIPE BOOKLET



Baby Food Maker & Bottle Warmer

BFM-1000 Series

For your safety and continued enjoyment of this product, always read the instruction book carefully before using.

IMPORTANT SAFEGUARDS

When using an electrical appliance, basic safety precautions should always be adhered to, including the following:

1. **READ ALL INSTRUCTIONS.**
2. **Always unplug unit from outlet when not in use, before putting on or taking off parts, before cleaning, and before removing food from bowl. To unplug, grasp plug and pull from electrical outlet. Never pull cord. Allow to cool before handling.**
3. To protect against risk of electric shock, do not put motor base in water or other liquids.
4. Close supervision is necessary when any appliance is used by or near children.
5. Avoid coming in contact with moving parts.
6. **Do not operate any appliance with a damaged cord or plug, after the appliance malfunctions, or if appliance has been dropped or damaged in any manner. Return the appliance to the nearest authorized Cuisinart Service Facility for examination, repair, and electrical or mechanical adjustment.**
7. The use of attachments not recommended or sold by Cuisinart may cause fire, electric shock or injury.
8. Do not let cord hang over edge of table or counter, or touch hot surfaces.
9. Don't handle the electrical cord to engage or disengage plug into the receptacle when your hands are wet.
10. Do not use outdoors.
11. Keep hands and utensils away from moving blade while processing, to prevent the risk of severe injury to persons or damage to the appliance. A scraper may be used, but must be used only when the unit is not running.
12. **BLADE IS EXTREMELY SHARP.** Handle carefully when removing, inserting or cleaning. Always allow blade to stop moving before removing cover.
13. To reduce the risk of injury, never place cutting blade on base without first putting work bowl properly in place.
14. Be certain cover is securely locked in place before operating appliance. Do not attempt to remove cover until blade has stopped rotating.
15. Do not attempt to defeat the cover interlock mechanism, as serious injury may result.
16. Before using, check work bowl for presence of foreign objects.
17. **Before serving be sure food is at a safe temperature.**
18. Do not touch hot surfaces. Use handles or knobs.
19. Follow guidelines in the Instructions for amount of boiler water for a given bottle size whether room or refrigerator temperature.
20. Always make sure that you are using the correct volume of water before beginning the bottle warming cycle. The warming chamber should be emptied of residual water before each subsequent use.
21. Never open the cover during food steaming.
22. Do not operate your appliance in an appliance garage or under a wall cabinet. **When storing in an appliance garage always unplug the unit from the electrical outlet.** Not doing so could create a risk of fire, especially if the appliance touches the walls of the garage or the door touches the unit as it closes.
23. Do not use appliance for other than intended use.
24. Where applicable, always attach plug to appliance and check that the control is OFF before plugging cord into wall outlet. To disconnect, turn the control to OFF, then remove plug from wall outlet.
25. Do not place on or near a hot gas or electric burner, or in a heated oven.
26. Before serving, unplug cord from wall outlet and dish. Do not leave cord within child's reach.
27. The appliance is intended for processing small quantities of food for immediate consumption, and is especially recommended for preparing baby food. The appliance is not intended to prepare large quantities of food at one time.

SAVE THESE INSTRUCTIONS FOR HOUSEHOLD USE ONLY

SPECIAL CORD SET INSTRUCTIONS

A short power supply cord is provided to reduce the risks of becoming entangled in or tripping over a longer cord. Extension cords may be used if care is exercised.

If an extension cord is used, the marked electrical rating of the extension cord should be at least as great as the electrical rating of the appliance. The longer cord should be arranged so that it will not drape over the countertop or tabletop, where it can be pulled on by children or tripped over unintentionally.

NOTICE

This appliance has a polarized plug (one prong is wider than the other). As a safety feature, this plug will fit into a polarized outlet only one way. If the plug does not fit fully in the outlet, reverse the plug. If it still does not fit, contact a qualified electrician. Do not attempt to defeat this safety feature.

IMPORTANT UNPACKING INSTRUCTIONS

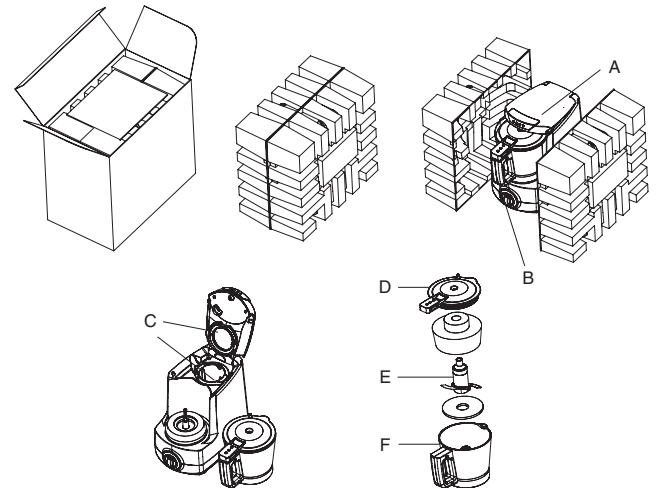
This package contains a Cuisinart Baby™ Food Maker & Bottle Warmer, metal chopping/puréeing blade, measuring cup, adaptor ring, spatula and instruction/recipe book.

CAUTION: THE CUTTING BLADE HAS VERY SHARP EDGES.

To avoid injury when unpacking, please follow these instructions:

1. Place the box on a large, sturdy, flat surface.
2. Open top flaps and remove the instruction book, spatula and any other literature.
3. Set the large panel of the gift box face down and slide the Baby Food Maker & Bottle Warmer out of the box using the pulp tray. Set the gift box aside.
4. Remove the Baby Food Maker and bottle warmer from the pulp tray.

5. Open the unit cover (A). You will see the Adaptor Ring (C) and the measuring Cup (C) inside the housing. Keep them in their positions.
6. Grasp the bowl handle (B), lift it off the housing, and remove the polybag and packing materials from the housing.
7. Remove the bowl lid (D) from the bowl, and remove the foam from inside the bowl (F). **CAREFULLY REMOVE THE “STEAM BLADE” (E) BY GRASPING THE CENTER HUB AND LIFTING IT STRAIGHT UP. NEVER TOUCH THE BLADE, AS IT IS RAZOR SHARP.**
Remove the polysheet at the bottom of the bowl (F).
8. We suggest you save all packing materials in the event that future shipping of the machine is needed. Keep all plastic bags away from children.
9. Rinse all accessories in warm soapy water before first use.
10. Read the instructions thoroughly before using the machine.



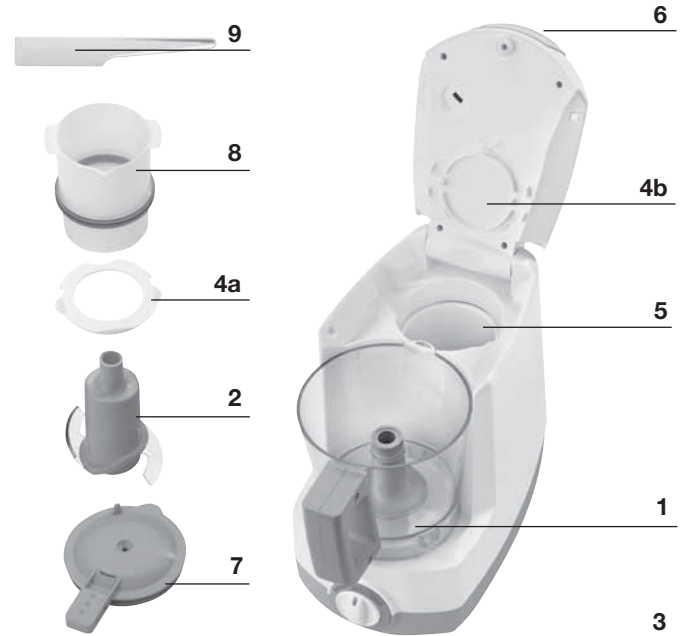
CONTENTS

Important Safeguards.....2
Important Unpacking Instructions.....3
Features and Benefits4
Baby's Readiness5
Getting Started.....5
Operation.....6
Troubleshooting..... 8-9
Cleaning and Maintenance9
User Guide and Capacity Chart..... 10-12
Recipes.....13
Warranty19

FEATURES AND BENEFITS

- 4-Cup Work Bowl with Measurement Markings and Pour Spout**
lets you make enough to refrigerate or freeze extra servings for later.
- Steam Blade**
chops, purées and evenly distributes steam for quicker, more efficient cooking.
- Simple Dial Control**
with CHOP setting to chop or purée and STEAM setting to cook food and warm bottles.
- 4a. Adapter Ring**
traps steam for faster heat-up when warming narrow bottles.
- 4b. Adapter Ring Storage**
conveniently stores adapter ring when not in use.
- Steam/Bottle Warming Chamber**
uses steam to quickly heat up glass or plastic baby bottles.
- Cover with Release Button**
has safety interlock to ensure safe handling.

- Bowl Lid**
has seal to reduce steam time and keeps all the ingredients contained.
- Measuring Cup**
is double-sided for separate steaming and bottle-warming measurements.
- Spatula**
uniquely designed for use with the work bowl.
- Cord Wrap (not shown)**
takes up excess cord and keeps countertop neat.
- BPA Free (not shown)**
all materials that come in contact with food are BPA free.



BABY'S READINESS*

Every baby develops at his or her own pace, but some common changes and behaviors can indicate a readiness for solid foods.

Be on the lookout for:

- Baby holding up head
- Chewing motion
- Doubled birth weight
- Ability to sit in high chair
- Curiosity about food
- Hunger after liquid feeding (breast milk/formula)
- Teething
- Accepts food rather than pushing food out with tongue

The first solid food to introduce is cereal. Start with rice, barley, or oatmeal when baby is about 6 months. Once baby has been successfully eating cereal, the next solid to introduce is vegetables so the baby has a chance to develop a taste for these before getting a “sweet tooth” from fruit. Next, introduce fruits, followed by meat and poultry.

*Your baby's pediatrician is the best source to tell you when your baby is ready for solid foods and the types of foods your baby should or should not eat at each stage of development.

GETTING STARTED

TIPS AND HINTS FOR BABY FOOD

The Baby Food Maker & Bottle Warmer is an excellent tool for puréeing and steaming fruits and vegetables. Blending the steaming liquid right into the food allows for optimal nutrient retention. We give a guide with water amounts intended for the smoothest purées – adjust water

amounts if a thicker consistency is desired.

Introduce new foods one at a time. Serve only that type of food for at least 3 days before beginning another to be sure baby is not allergic. Once baby has been introduced to different foods, mix and match to make great combinations. For example, oat cereal and fruit, sweet potatoes and apple, or chicken with carrots.

When introducing a new food, if baby doesn't accept it, and does not have any adverse reaction, try again in a few days. Certain foods should be avoided for a period of time because of their highly allergenic properties. Parents with history of allergies should be extra cautious.

The following foods should be avoided until after 12 months of age:

- Honey
- Corn
- Egg whites
- Wheat
- Soy
- Whole milk
- Raw berries
- Citrus (or other highly acidic fruits)

The following foods should be avoided until after 24 months of age:

- Peanuts/peanut butter
- Tree nuts
- Shellfish

Always use the freshest ingredients, organic if possible. First stage baby food should not be seasoned or sweetened. Save time by preparing larger portions and freezing in airtight containers. Never refreeze any food that has been previously frozen.

Certain foods that can be a choking hazard should also be avoided, including, but not limited to, grapes, raw carrots, raisins (and other small dry fruits), candy, hot dogs, popcorn, and large pieces of meat. Vegetables that are high in nitrates, like spinach, turnips, carrots, and beets, should be offered in limited quantities at a time. Baby will be ready for finger foods when he or she has achieved all the behaviors indicating a readiness for solid foods, around 8 months. Additionally, baby can transfer items from hand to hand, has more constant chewing motion, and puts “everything” into the mouth!

PREPARING THE FOOD

Size

Always cut large pieces of food into smaller pieces of even size – about ½ inch (12mm) to a side. If you don't start with pieces that are small and uniform, you will not get an even chop.

Quantity

Do not overload the work bowl. Overloading causes inconsistent results and it strains the motor. Use the quantities given in the user guide and capacity chart or recipe section as a guide.

Adding Liquids

You can add water, breast milk or formula to control the consistency of your baby food.

OPERATION

STEAMING FOOD

1. Press the release button on the cover of the unit and lift up to open.

2. Using the handle, place the bowl on top of the motor base. Carefully grasp the plastic hub of the steam blade and insert into the bowl. Press down firmly to lock. **Note:** Steam blade must be in place before adding food.

3. Remove the measuring cup from the steam/bottle warming chamber.

4. Fill the measuring cup with water to the marked position that coincides with the amount of food being steamed (see chart on page 10).

5. Pour the water into the steam/bottle warming chamber and place the measuring cup back in the chamber. **NOTE: Measuring cup must be replaced before steaming for the unit to work properly.**

6. Add ingredient(s) (not shown) to be steamed to the work bowl and place the bowl lid on top of the bowl pushing, down to seal. Align the lid handle with the bowl handle.

7. Lower the cover and press down firmly to lock.

8. Turn the dial to STEAM and the LED light will illuminate to indicate the steaming has begun. The unit and LED light will shut off automatically once steaming is complete. Turn the dial to the OFF position.

(Always test the temperature of food before feeding to baby).

NOTE: Never open the cover during food steaming.

NOTE: It is normal for steam to come out of the vents during operation.



CHOPPING/PURÉEING FOOD

1. Once the steaming cycle is complete open the cover and the lid to make sure the food is tender enough to process. Make sure to check the water content of your food before chopping or puréeing. Any leftover liquid can be used to increase the nutritional content and/or achieve the desired consistency. **Caution: Unit cover**

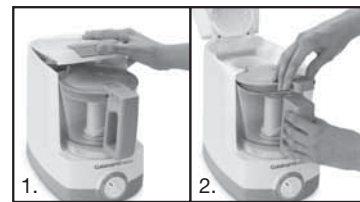
and lid will be hot after steaming. Be careful when opening.

2. Replace the lid and lower the cover.

3. Press down firmly to lock the unit.

4. Turn the dial to the CHOP function.

5. Pulse several times to break up food and then hold in that position for continuous puréeing. Pulsing also allows more control for desired consistency.



Removing Food from the Sides of the Bowl
Occasionally food will stick to the sides of the bowl as you process. Stop the machine to clear food away. **AFTER THE BLADE HAS STOPPED MOVING**, remove the cover and bowl lid and use the spatula to scrape the food from the sides of the bowl back into the center. Do not put hands into bowl unless unit is unplugged.

NOTE: We recommend that you don't run the unit continuously in CHOP for more than 1 minute at a time. For the best results, allow for 20 to 30 seconds rest time between cycles.

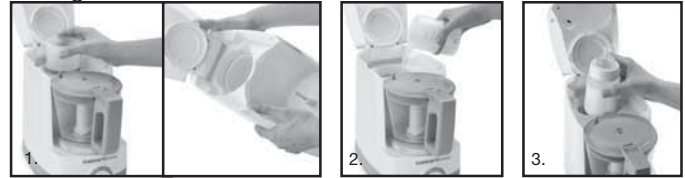
BOTTLE WARMER

NOTE: These instructions are to be used as a guide only. Please note that there are many variables, such as size of the bottle and starting temperature of the food which can affect the speed as well as the final temperature at which this unit warms the bottle or jar. Adjustments to the instructions below may be necessary. **Always test the temperature of food before feeding baby.**

- Lift the cover of the unit and remove the measuring cup from the steam/bottle warming chamber. **It is important to make sure there is no water in chamber before bottle warming*.**
- To empty the unit of excess water open the cover and remove the measuring cup from the Steam/Bottle Warming chamber. Tilt the unit onto its left side over the sink and any extra water will come out.
- Use the "bottle warming" side of the measuring cup and fill it with water to the position that coincides with the amount of milk being warmed (see chart below). Pour the pre-measured amount of water from the measuring cup directly into the steam/bottle warming chamber.

Bottle Warming Guide		
Bottle Capacity	Cool Bottle (refrigerator)	Warm Bottle (room temperature)
	5°C/40°F	20°C/70°F
4 oz	12 ml	8 ml
9 oz	12 ml	8 ml

- When warming a narrow bottle the adapter ring should be used (see adapter ring instructions below). Do not use the adapter ring with glass bottles.



- Let the bottle sit for 15 to 30 seconds before removing and be extremely careful removing the bottle from the unit. Shake the bottle to distribute the heated contents before checking the temperature.
- Put the bottle into the Steam/Bottle Warming chamber and turn the dial to STEAM and the LED light will illuminate. The unit and the LED light will shut off automatically once bottle warming is complete. Turn the dial to the OFF position.

ADAPTER RING

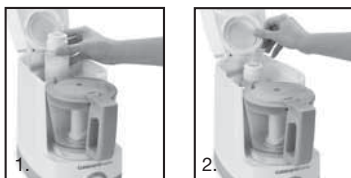
- Put the bottle into the steam/bottle warming chamber.
- Unsnap the adapter ring from the tabs located under the top cover of the unit.
- Place the adapter ring over the bottle.

Note: If the adapter ring does not fit loosely around the bottle, do not use it.

Note: Do not use adapter ring with glass bottles.

- Turn the dial to STEAM. The unit will shut off automatically once bottle warming is complete. Turn the dial to the OFF position.
- Let the bottle sit for 15 to 30 seconds before removing and be extremely careful removing the bottle from the unit. Shake the bottle to distribute the heated contents before checking temperature.

Always test the temperature of food before feeding baby.



Note: Due to the safety features of this product, the boiler area has to cool down before it can be used again. When doing consecutive cycles of bottle warming, to speed up the boiler cooling process, pour 20 oz. of cold water in the steam/bottle warming chamber and allow to sit for two minute. When time is up, tilt the unit onto its left side over the sink and empty.

TROUBLESHOOTING

Q: Why won't steaming start when I turn the unit on?

A: Check that the plug is securely inserted into the outlet.

A: The steam/bottle warming chamber may be empty. Add water to the steam chamber.

A: Cover is not closed completely. Press the release button on the cover to open and then lower the cover again; press down firmly to lock the unit.

Q: Why is steam coming out the back of the unit?

A: This may happen if the lid isn't down tight enough. Turn the unit to the OFF position and lift the cover. Press down firmly on the bowl lid to ensure it is completely in place.

A: The hole on top of the steam blade or the bowl lid center may be

blocked by food. Carefully remove the blade from the bowl and rinse it thoroughly. Check the opening on the top for any blockage, then put back into the bowl.

Q: Why won't the unit turn on immediately after steaming or to warm a second bottle?

A: Due to the safety features of this product, the boiler area has to cool down before it can be used again. To speed up the boiler cooling process, pour 20 oz. of cold water into the steam/bottle warming chamber and allow to sit for one minute. When the time is up, tilt the unit onto its left side over the sink and empty.

Q: How do I empty the unit of excess water?

A: To empty the unit of excess water, open the cover and remove the measuring cup from the steam/bottle warming chamber. Tilt the unit onto its left side over the sink and any extra water will come out.

Q: Why are the work bowl seal and/or hub becoming discolored?

A: This may happen when steaming and chopping colorful food like carrots and beets and will not affect the performance of the unit. To avoid this from happening or becoming more discolored make sure to always clean the bowl and accessories immediately after use.

Q: Why won't the motor start/blade won't rotate?

A: Check that the plug is securely inserted into the outlet.

A: Unit Cover is not closed completely. Press the release button on the cover to open and then lower the cover again; press down firmly to lock the unit.

Q: Why is the food unevenly chopped?

A: Either you are chopping too much food at one time, or the pieces are not small enough. Try cutting food into smaller pieces of even size and processing a smaller amount per batch.

Q: Why is food collecting on the work bowl lid and/or sides of the bowl or getting stuck on the blade?

A: You may be processing too much food. Turn machine off. When

blade stops rotating, remove the cover, then the bowl lid and clean the bowl and lid with the spatula.

Q: Why did the unit stop during steaming?

A: The steam/bottle warming chamber may be empty. Add more water to the steam chamber.

Q: Why is there a white residue coming out of the steam/bottle warming chamber?

A: Mineral-rich water causes calcium deposits to build up in the steam/bottle warming chamber. The unit should be cleaned out once a month to avoid this buildup. See decalcification section in Cleaning and Maintenance, next page. To help prevent/minimize this buildup, fresh or purified water can be used.

Q: Why is the milk bottle too hot or too cold?

A: Because there are so many variables when warming bottles, adjustments to the water amounts in the instruction booklet may be necessary. If the bottle was too hot try adding less water next time. If it was too cold try adding more water next time.

CLEANING AND MAINTENANCE

Always make sure the appliance is unplugged before you start cleaning it.

Cleaning accessories and motor base

- Rinse the work bowl, bowl lid and steam blade immediately after each use so food won't dry on them. All can be washed with warm soapy water or on the top rack of the dishwasher.
- Avoid leaving blade in soapy water where it may disappear from sight. Wash the blade carefully.
- If you have a dishwasher, you can wash the bowl lid, steam blade and spatula on the top rack.
- Insert the work bowl upside down and the cover right side up. You

may put the steam blade and spatula in the cutlery basket. Unload the dishwasher carefully to avoid contact with the sharp blade.

- Wipe the motor base clean with a damp sponge or cloth. Dry it immediately. Never submerge the motor base or the plug in water or other liquids.

Decalcification

- Decalcification refers to the removal of calcium deposits that form over time. These deposits can cause damage to the machine. To avoid buildup of calcium, the unit should be decalcified once a month.
- To decalcify, pour a mixture of 100ml of water and 100 ml of white (distilled) vinegar into the steam/bottle warming chamber. Leave for the night and then empty the next morning. Rinse the unit with water after you empty the unit of the water/vinegar mixture to ensure it is properly rinsed out.

Storage

- The Cuisinart Baby™ Food Maker & Bottle Warmer stores neatly on the countertop in a minimum of space. When it is not in use, make sure to empty any leftover water from the unit and leave it unplugged. The hidden cord storage underneath the motor base will help keep excess cord off the countertop. Store the unit assembled to prevent loss of parts. **Store the blades as you would sharp knives – out of the reach of children.**
- The Cuisinart Baby™ Food Maker & Bottle Warmer is intended for **HOUSEHOLD USE ONLY**. Any service other than cleaning and normal user maintenance should be performed by an authorized Cuisinart Service Representative.

USER GUIDE AND CAPACITY CHART

The following chart is a guideline for the types of food to feed your baby, how to prepare it, and how much it will serve. Other types of food not in this chart would follow similar instructions. Always consult with your pediatrician regarding questions about solid foods. This recipe book is meant as a general guide, not as medical advice.

Food	Starting Age	Preparation	Water for Steaming	Process	Approximate Steaming Time	Approximate Yields	Nutritional Highlights
FRUITS							
Apples	6 months	2 medium apples (about 10 to 12 oz.) peeled, cored and cut into ½ to 1-inch pieces	125 ml	Pulse 3 to 4 times to break up ingredients and then process until completely smooth, about 15 to 20 seconds.	20 minutes	1¼ cups or ten 1-ounce portions	High in fiber. Contains vitamins A & C, as well as trace minerals
Apricots/ Prunes (dried) and pitted	6 to 8 months	10 ounces	225 ml	Pulse about 8 times to break up ingredients and then process until completely smooth, about 30 seconds, scraping bowl if necessary.	25 minutes	1¼ cups or ten 1-ounce portions	High in vitamin A and B vitamins and fiber. Also contains potassium and fiber
Avocado	6 months	1 ripe avocado (about 7 to 8 oz.)	N/A	Scoop flesh into work bowl fitted with the steam blade. Pulse 4 to 5 times and then process until completely smooth, about 20 to 30 seconds.	N/A	¾ cup or six 1-ounce portions	High in B vitamins, folate, magnesium and fiber
Bananas	6 months	1 medium ripe banana (5 to 6 oz.) peeled and broken into 3 pieces	N/A	Pulse 2 to 3 times and then blend until completely smooth, about 15 to 20 seconds.	N/A	⅓ cup or three 1-ounce portions	High in potassium, fiber, B vitamins and folate
Papaya	8 to 10 months	2 cups RIPE papaya, cut into ½ to 1-inch pieces	N/A	Pulse about 4 times and then process on for 25 to 30 seconds until completely smooth.	N/A	1¼ cups or ten 1-ounce portions	High in vitamin A and C and beta carotene. Also contains calcium, folate and fiber
Peaches	6 to 8 months	3 medium peaches (about 12 to 13 ounces), peeled and pitted and cut into ½ to 1-inch pieces	100 to 125ml	Pulse about 6 times and then process until completely smooth, about 20 to 30 seconds.	15 minutes	1½ cups or eleven 1-ounce portions	Vitamin A, C and potassium
Pears	6 months	2 medium to large pears (10 ounces), peeled and cored and cut into ½ to 1-inch pieces	100 to 125ml	Pulse 3 to 4 times and then process until completely smooth, about 15 to 20 seconds.	15 minutes	1½ cups or twelve 1-ounce portions	Vitamin C, fiber, calcium and folate

Plums	6 to 8 months	3 whole plums (about 10 to 12 oz.), peeled, pitted and cut into 1-inch pieces	100 to 125ml	Pulse 3 to 4 times and then process until completely smooth, about 15 to 20 seconds.	15 minutes	1⅓ cups or eleven 1-ounce portions	Vitamin A, C and potassium
VEGGIES							
Beets	8 to 10 months	2 to 3 small/medium beets (about 10 to 11 ounces), peeled and cut into ½ to 1-inch pieces.	225 ml	Pulse 8 to 10 times and then process until completely smooth, about 30 seconds, scraping bowl if necessary.	25 minutes	1⅓ cups or eleven 1-ounce portions	High in beta carotene, folate, calcium, magnesium and potassium
Broccoli	8 to 10 months	3 cups of florets and peeled stems cut into ½ to 1-inch pieces	225 ml	Pulse 8 times and then process until completely smooth, about 20 to 30 seconds.	25 minutes	1 cup or eight 1-ounce portions	High in vitamin C, K and calcium
Cauliflower	8 to 10 months	3 cups of florets cut into ½ to 1-inch pieces	225 ml	Pulse 8 times and then process until completely smooth, about 30 seconds.	25 minutes	1½ cups or twelve 1-ounce portions	High in B vitamins, C, folate and fiber
Winter Squash/ Pumpkin	6 to 8 months	About 10 ounces of squash, peeled and seeded and cut into ½ to 1-inch pieces	225 ml	Pulse 8 times and then process until completely smooth, about 20 to 30 seconds.	25 minutes	1¼ cups or ten 1-ounce portions	High in vitamins A and C, beta carotene, calcium
Carrots	6 to 8 months	About 5 to 6 carrots cut into ½ to 1-inch pieces (about 10 ounces)	225 ml	Pulse 8 times and then process until completely smooth, about 20 to 30 seconds.	25 minutes	1⅓ cups or eleven 1-ounce portions	High in vitamin A, beta carotene and fiber
Green Beans	6 months	8 ounces of beans washed, ends trimmed and cut into 1-inch pieces, about 2 cups	175 ml	Pulse 8 times and then process until completely smooth, about 20 to 30 seconds.	20 minutes	1¼ cups or twelve 1-ounce portions	Vitamin A, C, beta carotene, calcium and fiber
Green Peas	6 to 8 months	2¼ cups frozen green peas	175 ml	Pulse 10 times and then process until completely smooth about 30 seconds, scraping bowl if necessary.	20 minutes	1¼ cups or fourteen 1-ounce portions	Vitamin A, B vitamins, C, fiber and folate
Fennel	8 to 10 months	1 medium bulb, about 10 ounces cut into ½ to 1-inch pieces	225 ml	Pulse about 6 to 8 times and then process until completely smooth, about 20 to 30 seconds.	25 minutes	1⅓ cups or thirteen 1-ounce portions	Vitamin C, potassium and calcium

Parsnips	6 to 8 months	2 medium parsnips, about 10 ounces, peeled and cut into ½ inch slices	225 ml	Pulse about 6 times and then process until completely smooth, about 20 to 30 seconds.	25 minutes	1¼ cups or ten 1-ounce portions	High in vitamin C and fiber
Turnips/ Rutabaga	8 to 10 months	1 medium/large turnip, about 10 to 11 ounces, peeled and cut into ½ to 1-inch pieces	225 ml	Pulse about 6 times and then process until completely smooth, about 20 to 30 seconds.	25 minutes	1½ cups or twelve 1-ounce portions	Vitamin C, calcium, fiber and folate
Sweet Potato, Yams	6 months	1 medium potato, about 10 ounces, peeled and cut into ½ to 1-inch pieces	225 ml	Pulse about 6 times and then process until completely smooth, about 20 to 30 seconds.	25 minutes	1½ cups or twelve 1-ounce portions	High in vitamin A, calcium, potassium and fiber
Zucchini/ Summer Squash	6 to 8 months	2 medium squash, about 10 ounces, cut into ½ to 1-inch pieces	175 ml	Pulse about 5 to 6 times and then process until completely smooth about 15 to 20 seconds.	20 minutes	1½ cups or thirteen 1-ounce portions	B vitamins and C
PROTEIN							
Chicken/ Turkey- breast	6 to 8 months	1 boneless, skinless breast about 6 to 8 ounces cut into ½ to 1-inch pieces	225 ml	Pulse about 10 times and then process until completely smooth about 30 seconds, scraping bowl if necessary.	25 minutes	1 cup or eight 1-ounce portions	Protein, B vitamins, iron, essential amino acids and selenium
Chicken - dark meat	6 to 8 months	1/2 pound thighs or legs, skin removed and cut into ½ to 1 inch pieces	225 ml	Pulse about 10 times and then process until completely smooth, about 30 seconds, scraping the bowl if necessary.	25 minutes	1 cup or eight 1-ounce portions	Protein, B vitamins, iron, folate and essential amino acids
Beef/Lamb (boneless)	8 to 10 months	½ pound beef or lamb cut into ½ to 1-inch pieces	225 ml	Pulse about 10 times and then process until completely smooth, about 30 seconds, scraping bowl if necessary.	25 minutes	1 cup or eight 1-ounce portions	High in protein, folate, vitamin B12, iron, selenium and essential amino acids
Fish	8 to 12 months	4 to 5 ounce fillet-salmon or white fish	100 ml	Pulse about 6 times and then process until completely smooth, about 25 to 30 seconds.	15 minutes	¾ cup or six 1-ounce portions	Protein, omega 3 and 6 fatty acids, vitamin B12 and D, calcium and selenium
Tofu	6 to 8 months	14 ounces soft tofu cut into ½ to 1-inch pieces	100 ml	Pulse about 5 times and then process until completely smooth, about 20 to 30 seconds, scraping bowl if necessary.	15 minutes	2 cups or sixteen 1-ounce portions	Protein and calcium

The following recipes are provided to give you ideas for making food in the Cuisinart Baby™ Food Maker & Bottle Warmer. These recipes may not be suitable for all babies. Check with your baby's pediatrician first to find out which of the following recipes are appropriate before making and giving them to your baby.

Tropical Fruits and Cinnamon Oats

Makes about 2¼ cups or eighteen 1-ounce servings

- 1 cup mango, cut into ½- to 1-inch pieces**
- 1 cup papaya, cut into ½- to 1-inch pieces**
- 100 ml water**
- 1 ripe banana, cut into 1-inch pieces**
- ½ cup cooked oatmeal**
- ⅓ teaspoon ground cinnamon**

Put the mango and papaya into the work bowl fitted with the steam blade and cover bowl with lid.

Add the water to the steam/bottle warming chamber and set the measuring cup in its place.

Close the lid to lock and then turn the dial to steam.

Once the light goes out indicating the steaming is complete, add the banana, oatmeal and cinnamon to the bowl and turn the dial to chop. Pulse about 10 times to break up, scraping if necessary, and then process continuously until completely smooth, about 20 to 30 seconds.

Allow to cool before serving. If not using immediately, refrigerate for up to three days or freeze in individual portions for convenience.

Nutritional information per 1-ounce serving:

*Calories 19 (8% from fat) • carb. 5g • pro. 0g • fat 0g
sat. fat 0g • chol. 0mg • sod. 1mg • calc. 4mg • fiber 1g*

Eat Your Veggies

The sweetness of these veggies has baby always wanting more!

Makes about 2 cups or sixteen 1-ounce servings

- 1 cup fresh spinach**
- ⅓ cup zucchini, cut into ½- to 1-inch pieces**
- 1 medium carrot, peeled and cut into ½- to 1-inch pieces**
- 225 ml water**
- 1 medium VERY ripe pear, peeled, cored and cut into ½- to 1-inch pieces**

Put the spinach, zucchini and carrot into the work bowl fitted with the steam blade and cover bowl with lid.

Add the water to the steam/bottle warming chamber and set the measuring cup in its place.

Close the lid to lock and then turn the dial to steam.

Once the light goes out indicating the steaming is complete, add the pear to the bowl. Pulse about 10 times to break up, scraping if necessary, and then process continuously until completely smooth, about 20 to 30 seconds.

Allow to cool before serving. If not using immediately, refrigerate for up to three days or freeze in individual portions for convenience.

Nutritional information per 1-ounce serving:

*Calories 9 (3% from fat) • carb. 2g • pro. 0g
fat 0g • sat. fat 0g • chol. 0mg • sod. 4mg
calc. 5mg • fiber 1g*

Greens and Sweets

It is so important to introduce green vegetables to your baby as early as possible. The sweetness of this recipe is great way to start.

Makes about 1¼ cups or ten 1-ounce servings

- 1 cup peeled and sliced parsnips**
- 1 cup sweet potatoes, peeled and cut into ½- to 1-inch pieces**
- ½ cup parsley, hard stems discarded**
- ½ cup shredded kale**
- 225 ml water**

Put the parsnips, sweet potatoes, parsley and kale into the work bowl fitted with the steam blade and cover bowl with lid.

Add the water to the steam/bottle warming chamber and set the measuring cup in its place.

Close the lid to lock and then turn the dial to steam.

Once the light goes out indicating the steaming is complete, turn the dial to chop. Pulse about 10 times to break up, scraping if necessary, and then process continuously until completely smooth, about 20 to 30 seconds.

Allow to cool before serving. If not using immediately, refrigerate for up to three days or freeze in individual portions for convenience.

Nutritional information per 1-ounce serving:

*Calories 24 (2% from fat) • carb. 6g • pro. 1g • fat 0g
sat. fat 0g • chol. 0mg • sod. 12mg • calc. 59mg • fiber 1g*

Veggie Lentil Medley

Lentils are a great protein source for baby!

Makes 1½ cups or twelve 1-ounce servings

- 1** cup butternut squash, peeled and cut into ½- to 1-inch pieces
- ½ cup carrots, peeled and cut into ½- to 1-inch pieces
- ¼ cup parsley, hard stems discarded
- ¼ cup sliced celery
- 225** ml water
- ½ cup cooked lentils

Put the squash, carrots, parsley and celery into the work bowl fitted with the steam blade and cover bowl with lid.

Add the water to the steam/bottle warming chamber and set the measuring cup in its place.

Close the lid to lock and then turn the dial to steam.

Once the light goes out indicating the steaming is complete, add the lentils to the bowl. Pulse about 10 times to break up, scraping if necessary, and then process continuously until completely smooth, about 15 to 25 seconds.

Allow to cool before serving. If not using immediately, refrigerate for up to three days or freeze in individual portions for convenience.

Nutritional information per 1-ounce serving:

*Calories 17 (2% from fat) • carb. 3g • pro. 1g • fat 0g
sat. fat 0g • chol. 0mg • sod. 19mg • calc. 12mg • fiber 1g*

Hippie Baby

A complete and ultra-nourishing meal for baby (tie dye not included).

Makes 1¾ cups or fourteen 1-ounce servings

- ½ cup sweet potatoes, peeled and cut into ½- to 1-inch pieces
- ½ cup soft tofu, cut into 1-inch pieces
- ½ cup sliced greens, hard stems discarded (any combination or single green, e.g., kale, spinach, chard)
- 225** ml water
- ½ ripe avocado
- ½ cup cooked brown rice

Put the sweet potatoes, tofu and greens into the work bowl fitted with the steam blade and cover bowl with lid.

Add the water to the steam/bottle warming chamber and set the measuring cup in its place.

Close the lid to lock and then turn the dial to steam.

Once the light goes out indicating the steaming is complete, add the avocado (scoop the flesh right into work bowl) and the brown rice to the work bowl and turn the dial to chop. Pulse about 10 times to break up, scraping if necessary, and then process continuously until completely smooth, about 20 to 30 seconds.

Allow to cool before serving. If not using immediately, refrigerate for up to three days or freeze in individual portions for convenience.

Nutritional information per 1-ounce serving:

*Calories 29 (41% from fat) • carb. 3g • pro. 1g • fat 1g
sat. fat 0g • chol. 0mg • sod. 5mg • calc. 12mg • fiber 1g*

Veggie Rice Cereal

A good starter recipe for when baby is ready for combination foods.

Makes 1¼ cups or ten 1-ounce servings

- 1** cup sweet potato, peeled and cut into ½-inch dice
- ¼ cup carrots, peeled and cut into ½-inch dice
- ¼ cup green beans, cut into ½-inch pieces
- ¼ cup frozen peas
- 225** ml water
- 4** tablespoons baby rice cereal
- 8** tablespoons breast milk, formula or water

Put the sweet potato, carrots, green beans and peas into the work bowl fitted with the steam blade and cover bowl with lid.

Add the water to the steam/bottle warming chamber and set the measuring cup in its place.

Close the lid to lock and then turn the dial to steam.

While the veggies are steaming, prepare the rice cereal. Mix the cereal and liquid of choice together until smooth.

Once the light goes out indicating the steaming is complete turn the dial to chop. Pulse about 10 times to break up, scraping work bowl if necessary, and then process continuously until completely smooth, about 20 to 25 seconds. Add the cereal and pulse until smooth, about 8 to 10 pulses.

Allow to cool before serving. If not using immediately, refrigerate for up to three days or freeze in individual portions for convenience.

Nutritional information per 1-ounce serving:

*Calories 47 (19% from fat) • carb. 9g • pro. 1g • fat 1g
sat. fat 0g • chol. 0mg • sod. 22mg • calc. 24 mg • fiber 1g*

Winter Fruits with Yogurt

Dried fruit is readily available year round and makes a delicious purée for baby.

Makes about 1½ cups or twelve 1-ounce servings

- ½ cup unsulphured prunes, cut into ½-inch pieces
- ½ cup dates, cut into ½-inch pieces
- 1 medium apple, peeled, cored and cut into ½-inch pieces
- 200 ml water
- ½ cup plain yogurt

Put the prunes, dates and apple into the work bowl fitted with the steam blade and cover bowl with lid.

Add the water to the steam/bottle warming chamber and set the measuring cup in its place.

Close the lid to lock and then turn the dial to steam.

Once the light goes out indicating the steaming is complete turn the dial to chop. Pulse several times to break up and then process continuously until completely smooth, about 20 to 25 seconds.

Add the yogurt and pulse to incorporate, about 8 pulses.

Allow to cool before serving. If not using immediately, refrigerate for up to three days or freeze in individual portions for convenience.

Nutritional information per 1 ounce serving:

*Calories 49 (7% from fat) • carb. 12g • pro. 1g • fat 0g
sat. fat 0g • chol. 1mg • sod. 5mg • calc. 20mg • fiber 1g*

Lamb Stew with Barley

A delicious combination of sound nutritious foods for your little one.

Makes about 2 cups or sixteen 1-ounce servings

- 5 ounces lamb (leg or shoulder meat) cut into ½- to 1-inch pieces
- 5 ounces butternut squash (or parsnip or combination of the two), cut into ½-to 1-inch pieces
- 225 ml water
- ½ cup cooked pearled barley

Place the lamb and vegetable into the work bowl fitted with the steam blade and cover bowl with lid.

Add the water to the steam/bottle warming chamber and set the measuring cup in its place.

Close the lid to lock and then turn the dial to steam.

Once the light goes out indicating the steaming is complete turn the dial to chop. Pulse about 10 times to break up and then process continuously until completely smooth, about 30 seconds.

Add the barley and pulse to incorporate, about 10 pulses, and then process continuously again until desired consistency is reached.

Allow to cool before serving. If not using immediately, refrigerate for up to three days or freeze in individual portions for convenience.

Nutritional information per 1-ounce serving:

*Calories 22 (20% from fat) • carb. 2g • pro. 2g • fat 1g
sat. fat 0g • chol. 6mg • sod. 6mg • calc. 6mg • fiber 0g*

Baby Chicken Soup

Baby's first taste of chicken soup.

Makes about 1½ cups or thirteen 1-ounce servings

- ½ cup chicken breast, cut into ½- to 1-inch pieces
- 2 ounces carrots, peeled and cut into ½- to 1-inch pieces
- 2 ounces celery, peeled and cut into ½- to 1-inch pieces
- 1 tablespoon chopped flat leaf parsley, hard stems discarded
- 225 ml water

Put the chicken, carrots, celery and parsley into the work bowl fitted with the steam blade and cover bowl with lid.

Add the water to the steam/bottle warming chamber and set the measuring cup in its place.

Close the lid to lock and then turn the dial to steam.

Once the light goes out indicating the steaming is complete turn the dial to chop. Pulse several times to break up and then process continuously until completely smooth, about 20 to 25 seconds.

Allow to cool before serving. If not using immediately, refrigerate for up to three days or freeze in individual portions for convenience.

Nutritional information per 1-ounce serving:

*Calories 32 (45% from fat) • carb. 1g • pro. 4g • fat 2g
sat. fat 1g • chol. 11mg • sod. 18mg • calc. 7mg • fiber 0g*

Salmon Sweet Potato and Quinoa Superfood

A super food combo to nourish your baby.

Makes about 2 cups or sixteen 1-ounce servings

- 5 ounces sweet potato, cut into ½ to 1-inch pieces**
- 5 ounces salmon, cut into 1-inch pieces**
- 175 ml water**
- ⅔ cup cooked quinoa**

Put the sweet potato and salmon into the work bowl fitted with the steam blade and cover bowl with lid.

Add the water to the steam/bottle warming chamber and set the measuring cup in its place.

Close the lid to lock and then turn the dial to steam.

Once the light goes out indicating the steaming is complete turn the dial to chop. Pulse about 5 times to break up and then process continuously until completely smooth, about 20 to 25 seconds.

Add the quinoa and pulse to incorporate, about 8 to 10 times. Process continuously until desired consistency is achieved.

Allow to cool before serving. If not using immediately, refrigerate for up to three days or freeze in individual portions for convenience.

Nutritional information per 1-ounce serving:

Calories 29 (22% from fat) • carb. 3g • pro. 2g • fat 1g sat. fat 0g • chol. 5mg • sod. 9mg • calc. 5mg • fiber 1g

Sweet Bunny Waffles

The combination of carrot and apple purée used in these sugar-free waffles make them a great option for the whole family to enjoy.

Makes 6 waffles

- 1 cup whole wheat flour**
- 1 teaspoon baking powder**
- ½ teaspoon baking soda**
- ¼ teaspoon salt**
- 1 large egg, lightly beaten**
- 3 tablespoons vegetable oil**
- ¼ cup plain yogurt**
- ⅓ cup whole milk**
- ¼ cup carrot purée**
- ¼ cup apple purée**

1. Combine the flour, baking powder, baking soda and salt in a mixing bowl and stir to combine.
2. Put the egg, oil, yogurt, milk, and purées into the work bowl of the Cuisinart Baby Food Maker. Process for 10 seconds to blend.
3. Add the dry ingredients and pulse three times. Scrape the bowl and pulse three times again to fully incorporate all ingredients. Allow batter to rest for about 5 minutes before using.
4. Prepare waffles according to waffle maker's instructions using approximately ⅓ cup of batter per waffle.
5. Serve immediately.

Nutritional information per waffle:

Calories 164 (48% from fat) • carb. 18 g • pro. 5g fat 9g • sat. fat 2g • chol. 34mg • sod. 294 mg calc. 103mg • fiber 3g

Sunshine Muffins

Whole grain muffins sweetened with butternut squash purée make a wholesome breakfast or snack.

Makes 6 muffins

- nonstick cooking spray**
- 1 cup whole wheat flour**
- 1 teaspoon baking powder**
- ¼ teaspoon salt**
- ¼ teaspoon cinnamon**
- ¼ cup butternut squash purée**
- 2 tablespoons vegetable oil**
- 1 tablespoon pure maple syrup**
- ¼ cup plain yogurt**
- 1 large egg**
- ½ teaspoon pure vanilla extract**
- 2 tablespoons whole milk (nondairy milk may be substituted)**

Preheat oven to 375°F. Thoroughly spray a six-cup muffin tin.

Stir together the flour, baking powder, salt and cinnamon in a small bowl.

Put the purée, oil, syrup, yogurt, egg, vanilla and milk into the work bowl fitted with the steaming blade. Pulse on chop to incorporate ingredients, about 10 long pulses.

Sprinkle the dry ingredients evenly over the wet ingredients in the work bowl. Pulse gently until ingredients are just evenly incorporated. Be careful not to overmix.

Scoop even amounts (each about a scant ¼ cup) of batter into the prepared muffin tin.

Bake in preheated oven until tops are golden and a cake tester comes out clean, about 12 to 15 minutes.

Nutritional information per muffin:

*Calories 143 (38 % from fat) • carb. 18 g • pro. 4g
fat 6g sat. fat 1g • chol. 33mg • sod. 179mg
calc. 93mg • fiber 2g*

Sweet Potato Pancakes

The silver dollar size is perfect for little fingers to grab.

Makes about 25 silver dollar pancakes

- 1 recipe sweet potato purée**
- 3 tablespoons unbleached, all-purpose flour**
- 1 large egg**
- ½ teaspoon kosher salt**
- 1 to 2 tablespoons vegetable oil**

Mix all ingredients together until smooth.

Place a large nonstick skillet over medium heat. When oil shimmers across the pan add pancake batter, 1 tablespoon per pancake for silver dollar pancakes.

Cook approximately 3 minutes per side until golden brown.

Nutritional information per pancake:

*Calories 21 (33 % from fat) • carb. 3g • pro. 1g
fat 1g • sat. fat 0g • chol. 7mg • sod. 56mg
calc. 5mg • fiber 0g*

Apple Pancakes

These pancakes will be a favorite breakfast treat.

Makes about 24 silver dollar pancakes

- 1 cup whole wheat flour**
- 1 teaspoon baking powder**
- ½ teaspoon baking soda**
- ½ teaspoon ground cinnamon**
- ¼ teaspoon salt**
- ¼ cup apple purée**
- 1 tablespoon pure maple syrup**
- 1 large egg**
- ¾ cup plus 2 tablespoons whole milk (low fat or nondairy may be substituted)**
- 2 tablespoons unsalted butter, melted**
- 1 tablespoon unsalted butter for cooking pancakes**

Stir the flour, baking powder, baking soda, cinnamon and salt together in a small bowl.

Put the apple purée, maple syrup, egg, milk and butter into the work bowl fitted with the steam blade. Process the ingredients on chop for about 5 seconds.

Sprinkle the dry ingredients evenly over the wet ingredients in the work bowl. Pulse on chop until ingredients are just combined, about 5 pulses.

Put the remaining butter in a large nonstick skillet and place over medium heat. Once butter melts add the batter into the hot skillet, one tablespoon per pancake, to make silver dollar pancakes.

Cook pancakes about 2 minutes on the first side and 1 minute the second.

Nutritional information per pancake:

*Calories 37 (37% from fat) • carb. 5g • pro. 1g • fat 2g
sat. fat 1g • chol. 11mg • sod. 39mg • calc. 21mg • fiber 1g*

Baby Chicken Salad

With the Cuisinart™ Baby Food Maker you can make this “salad” as smooth or chunky as your baby needs.

Makes about 1½ cups

- 8 ounces chicken breast, cut into ½- to 1-inch pieces**
- 3 ounces celery, thinly sliced**
- 175 ml water**
- 2 tablespoons plain yogurt**

Put the chicken and celery into the work bowl fitted with the steam blade.

Add the water to the steam/bottle warming chamber and set the measuring cup in its place.

Close the lid to lock and then turn the dial to steam.

Once the light goes out indicating the steaming is complete, turn the dial to chop. Pulse to roughly chop. Add the yogurt and continue to pulse until desired consistency is achieved.

Nutritional information per 1-ounce serving:

*Calories 26 (23% from fat) • carb. 0g • pro. 5g
fat 1g sat. fat 0g • chol. 14mg • sod. 32mg
calc. 8mg • fiber 0g*

Chicken Fingers

Makes about 15 to 18 chicken fingers
nonstick cooking spray

2 cups crispy brown rice cereal

1 pound chicken breast, cut into finger-size pieces

1 cup coconut milk

extra virgin olive oil for drizzling

Preheat the oven to 400°F. Line a baking sheet with foil and lightly coat with nonstick cooking spray.

Put the brown rice cereal into the work bowl fitted with the steam blade. Pulse about 15 times to evenly chop.

Prepare fingers by dipping first into coconut milk and then rolling in the crushed cereal.

Place on baking tray and drizzle with olive oil. Bake for about 25 minutes until crispy and golden and cooked through.

Nutritional information per chicken finger:

*Calories 67 (49% from fat) • carb. 3g • pro. 6g • fat 4g
sat. fat 2g • chol. 16mg • sod. 31mg • calc. 3mg • fiber 0g*

Fish Sticks

Potato chips provide extra crunch for these oven baked fish sticks!

Makes about 15 to 18 sticks

nonstick cooking spray

5 ounces potato chips

½ pound thin fish fillet similar to sole

1 cup coconut milk

Preheat the oven to 400°F. Line a baking sheet with foil and lightly coat with nonstick cooking spray.

Insert the steam blade into the work bowl. Working in two batches of 2 cups each, process the potato chips by pulsing using about 15 quick pulses. Put the finished crumbs in a shallow dish for dipping.

Prepare fingers by dipping first into coconut milk and then rolling in the crushed chips.

Bake for about 15 to 20 minutes, turning tray midway through baking, until crispy and golden and cooked through.

Nutritional information per fish stick:

*Calories 58 (55% from fat) • carb. 4g • pro. 2g • fat 4g.
sat. fat 1g • chol. 6mg • sod. 69mg • calc. 3mg.
• fiber 1g*

WARRANTY

Limited 18 Month Warranty

This warranty is available to consumers only. You are a consumer if you own a Cuisinart Baby™ Food Maker & Bottle Warmer that was purchased at retail for personal, family or household use. Except as otherwise required under applicable law, this warranty is not available to retailers or other commercial purchasers or owners. We warrant that your Cuisinart Baby™ Food Maker & Bottle Warmer will be free of defects in materials and workmanship under normal home use for 18 months from the date of original purchase.

We recommend that you visit our website, www.cuisinart.com for a fast, efficient way to complete your product registration. However, product registration does not eliminate the need for the consumer to maintain the original proof of purchase in order to obtain the warranty benefits. In the event that you do not have proof of purchase date, the purchase date for purposes of this warranty will be the date of manufacture.

CALIFORNIA RESIDENTS ONLY

California law provides that for In-Warranty Service, California residents have the option of returning a nonconforming product (A) to the store where it was purchased or (B) to another retail store that sells Cuisinart products of the same type. The retail store shall then, according to its preference, either repair the product, refer the consumer to an independent repair facility, replace the product, or refund the purchase price less the amount directly attributable to the consumer's prior usage of the product. If neither of the above two options results in the appropriate relief to the consumer, the consumer may then take the product to an independent repair facility, if service or repair can be economically accomplished. Cuisinart and not the consumer will be responsible for the reasonable cost of such service, repair, replacement, or refund for nonconforming products under warranty. California residents may also, according to their preference, return nonconforming products directly to Cuisinart for repair or, if necessary, replacement by calling our Consumer Service Center toll-free at 1-800-726-0190. Cuisinart will be responsible for the cost of the repair, replacement, and shipping and handling for such nonconforming products under warranty.

BEFORE RETURNING YOUR CUISINART PRODUCT

If your Cuisinart Baby™ Food Maker & Bottle Warmer should prove to be defective within the warranty period, we will repair or, if we think necessary, replace it. To obtain warranty service, please call our Consumer Service Center toll-free at 1-800-726-0190 or write to: Cuisinart, 7475 North Glen Harbor Blvd., Glendale, AZ 85307. To facilitate the speed and accuracy of your return, enclose \$10.00 for shipping and handling. (California residents need only supply a proof of purchase and should call 1-800-726-0190 for shipping instructions.) Please be sure to include your return address, description of the product's defect, product serial number, and any other information pertinent to the return. Please pay by check or money order. NOTE: For added protection and secure handling of any Cuisinart product that is being returned, we recommend you use a traceable, insured delivery service. Cuisinart cannot be held responsible for in-transit damage or for packages that are not delivered to us. Lost and/or damaged products are not covered under warranty.

Your Cuisinart Baby™ Food Maker & Bottle Warmer has been manufactured to the strictest specifications and has been designed for use only in 120-volt outlets and only with authorized accessories and replacement parts. This warranty expressly excludes any defects or damages caused by attempted use of this unit with a converter, as well as use with accessories, replacement parts or repair service other than those authorized by Cuisinart. This warranty does not cover any damage caused by accident, misuse, shipment or other than ordinary household use. This warranty excludes all incidental or consequential damages. Some states do not allow the exclusion or limitation of these damages, so these exclusions may not apply to you. You may also have other rights, which vary from state to state.

Important: If the nonconforming product is to be serviced by someone other than Cuisinart's Authorized Service Center, please remind the servicer to call our Consumer Service Center at 1-800-726-0190 to ensure that the problem is properly diagnosed, the product is serviced with the correct parts, and to ensure that the product is still under warranty.

©2013 Cuisinart
150 Milford Road
East Windsor, NJ 08520
Printed in China
13CE144034

N IB-11161-ESP-A

NOTES:

GARANTÍA

Garantía limitada 18 Meses

Esta garantía es para los consumidores solamente. Usted es un consumidor si ha comprado su aparato Cuisinart™ en una tienda, para uso personal o casero. A excepción de los estados donde la ley lo permita, esta garantía no es para los detallistas u otros comerciantes.

18 meses después de la fecha de compra original, siempre en cuando el aparato haya Cuisinart garantiza este aparato contra todo defecto de materiales o fabricación durante

sido utilizado para uso doméstico y según las instrucciones.

Le aconsejamos que llene el formulario de registro disponible en www.cuisinart.com a fin de facilitar la verificación de la fecha de compra original. Sin embargo, registrar el producto no es necesario para recibir servicio bajo esta garantía. En ausencia del recibo de compra, el periodo de garantía será de 18 meses a partir de la fecha de fabricación.

RESIDENTES DE CALIFORNIA SOLAMENTE

La ley del estado de California ofrece dos opciones bajo el periodo de garantía. Los residentes del estado de California pueden (A) regresar el producto defectuoso a la tienda donde lo compraron o (B) a otra tienda que venda productos Cuisinart™ de este tipo. La tienda, a su opción, reparará el producto, reñerá el consumidor a un centro de servicio independiente, cambiará el producto o reembolsará el consumidor por el precio original del producto, menos la cantidad imputable al uso del producto por el consumidor hasta que éste se dañe. Si estas dos opciones no satisfacen al consumidor, podrá llevar el aparato a un centro de servicio independiente, siempre en cuando se pueda ajustar o reparar el aparato de manera económica. Cuisinart será responsable por los gastos de servicio, reparación, reemplazo o reembolso de los productos defectuosos durante el periodo de garantía. Los residentes de California también pueden, si lo desean, mandar el aparato defectuoso directamente a Cuisinart para que lo reparen o lo cambien. Para esto, se debe llamar a nuestro servicio posventa al 1-800-726-0190. Cuisinart será responsable por los gastos de reparación, reemplazo, manejo y envío de los productos defectuosos durante el periodo de garantía.

ANTES DE HACER REPARAR SU APARATO

Si este aparato presentara algún defecto de materiales o fabricación durante el periodo de garantía, la repararemos o reemplazaremos (a nuestra opción). Para obtener servicio bajo esta garantía, llame a nuestra línea directa gratuita al 1-800-726-0190 o regrese el aparato defectuoso a: Cuisinart, 7475 North Glen Harbor Blvd, Glendale, AZ 85307.

Regrese el aparato defectuoso, junto con su recibo de compra y un cheque o giro postal de US\$10.00 por gastos de manejo y envío. Los residentes de California sólo necesitan dar una prueba de compra y deben llamar al 1-800726-0190 para recibir instrucciones de envío. Recuerde incluir su nombre, dirección y teléfono, la descripción del problema, así como cualquier información pertinente. Sentimos no poder aceptar otras formas de pago. **NOTA:** Para mayor seguridad, le aconsejamos que mande su paquete por un método de entrega con seguro y seguimiento. Cuisinart no será responsable por los daños ocurridos durante el transporte o por los paquetes mandados a una dirección equivocada. Los productos perdidos y/o lastimados durante el envío no serán cubiertos bajo esta garantía.

Este aparato satisface las más altas exigencias de fabricación y ha sido diseñado para uso sobre corriente de 120V, usando accesorios y partes de repuesto autorizados solamente. Esta garantía excluye expresamente los daños causados por accesorios, partes o reparaciones no autorizados por Cuisinart, así como los daños causados por el uso de un convertidor de voltaje. Esta garantía no cubre el uso institucional o comercial del producto, y no es válida en casos de daños causados por mal uso, negligencia o accidente. Esta garantía excluye expresamente todos los daños incidentales o consecuentes, de modo que las limitaciones mencionadas pueden no regir para usted. Usted puede tener otros derechos que varían de un Estado a otro. **Importante:** Si debe llevar el aparato defectuoso a un centro de servicio no autorizado, por favor informe al personal del centro de servicio que deberían llamar al servicio posventa de Cuisinart al 1-800-726-0190 a fin de diagnosticar el problema correctamente, usar las partes correctas para repararlo y asegurarse de que el producto este bajo garantía.

N IB-11161-ESP-A

©2013 Cuisinart
150 Milford Road
East Windsor, NJ 08520
Impreso en la China
13CE144034

Tiras de pollo

Cantidad: 15-18 tiras

spray vegetal

60 g de cereal de arroz integral

455 g de pechuga de pollo, cortada en tiras

235 ml de leche de coco

aceite de oliva virgen extra

Precalentar el horno a 400 °F. Forrar una placa para horno con papel de aluminio y engrasar levemente con spray vegetal.

Colocar el cereal de arroz integral en el bol de la procesadora. Pulsar 15 veces. Reservar.

Mojar las tiras en la leche de coco, y luego rebollarlas con los cereales.

Colocar las tiras sobre la placa para horno y salpicar con aceite de oliva. Meter al horno por aproximadamente 20 minutos, hasta que estén crujientes y bien doradas.

Información nutricional por tira:

Calorías 67 (49% de grasa) • Carbohidratos 3g
Proteínas 6g • Grasa 4g • Grasa saturada 2g • Colesterol 16mg • Sodio 31mg • Calcio 3mg • Fibra 0g

Tiras de pescado

¡Estas tiras de pescado con cobertura de chips de papa son super crujientes!

Cantidad: 15-18 tiras

spray vegetal

140 g de chips de papa

225 g de filete de pescado (por ej. lenguado)

235 ml de leche de coco

Precalentar el horno a 400 °F. Forrar una placa para horno con papel de aluminio y engrasar levemente con spray vegetal.

Instalar la cuchilla en el bol de la procesadora. Procesar los chips, dos tazas de la vez, pulsando aproximadamente 15 veces. Reservar, en un plato.

Mojar las tiras en la leche de coco, y luego rebollarlas con los chips picados.

Meter al horno por 15-20 minutos, volteando a mitad de tiempo, hasta que estén crujientes y bien doradas.

Información nutricional por tira:

Calorías 58 (55% de grasa) • Carbohidratos 4g
Proteínas 2g • Grasa 4g Grasa saturada 1g
Colesterol 6mg • Sodio 69mg • Calcio 3mg • Fibra 1g

"Ensalada" de pollo para bebés

Gracias a la procesadora de alimentos para bebés Cuisinart™, puede hacer esta "ensalada" tan suave como su bebé necesita.

Cantidad: 10 porciones de 30 g
240 g de pechuga de pollo, en pedazos
85 g de apio, en rodajas finas

175 ml de agua

2 cucharadas de yogur natural

Colocar el pollo y el apio en el bol.

Echar el agua en la cámara de calentamiento y regresar el vaso medidor adentro de ésta.

Cerrar la tapa del aparato y poner la perilla de control en "STEAM".

Tras apagarse el indicador luminoso, poner la perilla de control en "CHOP". Pulsar para picar grueso. Agregar el yogur y seguir pulsando hasta obtener la consistencia deseada.

Información nutricional por porción:
Calorías 26 (23% de grasa) • Carbohidratos 0g • Proteínas 5g • Grasa 1g • Grasa saturada 0g • Colesterol 14mg • Sodio 32mg • Calcio 8mg • Fibra 0g

"Pancakes" de manzana

Estos "pancakes" se volverán su desayuno favorito.

Cantidad: 24 "pancakes"

125 g de harina de trigo integral

1 cucharadita de polvo de hornear

½ cucharadita de bicarbonato de sodio

½ cucharadita de canela en polvo

¼ cucharadita de sal

57 g de compota de manzana

1 cucharada de jarabe de arce puro

1 huevo grande

300 ml de leche entera (o leche no láctea)

30 g de mantequilla sin sal, derretida

15 g de mantequilla sin sal

Combinar la harina, el polvo de hornear, el bicarbonato de sodio, la canela y la sal en un tazón pequeño. Reservar.

Colocar la compota de manzana, el jarabe de arce, el huevo y la leche en el bol de la procesadora. Procesar durante 5 segundos.

Agregar los ingredientes secos, esparciéndolos uniformemente. Pulsar 5 veces.

Poner la mantequilla remanente a calentar a fuego medio, en un sartén antiadherente grande. Cuando la mantequilla esté derretida, formar "pancakes" pequeños, usando 1 cucharada de la mezcla por "pancake".

Cocer por 2 minutos, voltear, y seguir cociendo por 1 minuto.

Información nutricional por "pancake":
Calorías 37 (37% de grasa) • Carbohidratos 5g • Proteínas 1g • Grasa 2g • Grasa saturada 1g • Colesterol 11mg • Sodio 39mg • Calcio 21mg • Fibra 1g

"Pancakes" de camote

El tamaño de estos "pancakes" es perfecto para los dedos.

Cantidad: 25 "pancakes"

1 receta de puré de camote/batata

3 cucharadas de harina común

1 huevo grande

½ cucharadita de sal kosher

1-2 cucharadas de aceite vegetal

Combinar todos los ingredientes hasta obtener una mezcla homogénea.

Poner un sartén antiadherente grande a calentar a fuego medio. Calentar el aceite en el sartén.

Cuando el aceite esté caliente, formar "pancakes" pequeños, usando 1 cucharada de la mezcla por "pancake".

Cocer durante 3 minutos por lado, hasta dorarse.

Información nutricional por "pancake":
Calorías 21 (33% de grasa) • Carbohidratos 3g • Proteínas 1g • Grasa 1g • Grasa saturada 0g • Colesterol 7mg • Sodio 56mg • Calcio 5mg • Fibra 0g

Meter al horno por 12-15 minutos, hasta dorarse y hasta que un probador introducido en el centro

salga limpio.

Información nutricional por muffin:
Calorías 143 (38% de grasa) • Carbohidratos 18 g • Proteínas 4g • Grasa 6g • Grasa saturada 1g • Colesterol 33mg • Sodio 179mg • Calcio 93mg • Fibra 2g

Crema de salmón, camote y quinoa

Una receta súper nutritiva para su bebé.

Cantidad: 16 porciones de 30 g

140 g de camote/batata, cortado en pedazos

140 g de salmón, en cubitos de 1 pulgada

175 ml de agua

123 g de quinoa cocido

Colocar el camote y el salmón en el bol. Cerrar la tapa.

Echar el agua en la cámara de calentamiento y

regresar el vaso medidor dentro de ésta.

Cerrar la tapa del aparato y poner la perilla de control en "STEAM".

Tras apagarse el indicador luminoso, poner la perilla de control en "CHOP". Pulsar 5 veces, y luego procesar durante 20-25 segundos, hasta conseguir una mezcla homogénea.

Agregar la quinoa y pulsar 8-10 veces. Seguir procesando hasta obtener la consistencia deseada.

Dejar enfriar antes de servir. Refrigerar (durante hasta 3 días) o congelar en porciones individuales si no lo va a usar inmediatamente.

Información nutricional por porción:

Calorías 29 (22% de grasa) • Carbohidratos 3g • Proteínas 2g • Grasa 1g • Calcio 5mg • Fibra 1g • Colesterol 5mg • Sodio 9mg

Gotres/Waffles de zanáhorria dulces

Estos gotres sin azúcar, que combinan zanáhorrias y manzanas, son una excelente opción para toda la familia.

Cantidad: 6 gotres

125 g de harina de trigo integral

1 cucharadita de polvo de hornear

½ cucharadita de bicarbonato de sodio

¼ cucharadita de sal

1 huevo grande, ligeramente batido

3 cucharadas de aceite vegetal

60 g de yogur natural

80 ml de leche entera

55 g de puré de zanáhorria

55 g de compota de manzana

1. Combinar la harina, el polvo de hornear, el bicarbonato y la sal en un tazón grande.

2. Colocar el huevo, el yogur, la leche y los purés en el bol de la procesadora. Procesar durante 10 segundos.

3. Agregar los ingredientes secos y pulsar 10 veces. Raspasr el tazón y seguir procesando hasta obtener una mezcla homogénea. Dejar descansar durante 5 minutos antes de usar.

4. Preparar los gotres de acuerdo con las instrucciones del fabricante de la gofrera, usando aproximadamente 80 ml taza de mezcla por gotre.

5. Servir inmediatamente.

Información nutricional por gotre:

Calorías 164 (48% de grasa) • Carbohidratos 18 g • Proteínas 5g • Grasa 59g • Grasa saturada 2g • Colesterol 34mg • Sodio 294 mg • Calcio 103mg • Fibra 3g

Muffins "sunshine"

Estos "muffins" de trigo integral endulzados con puré de calabaza moscada son perfectos para el desayuno o como tentempié.

Cantidad: 6 muffins

spray vegetal

125 g de harina de trigo integral

1 cucharadita de polvo de hornear

¼ cucharadita de sal

¼ cucharadita de canela en polvo

55 g de puré de calabaza moscada

2 cucharadas de aceite vegetal

1 cucharada de jربة de arce puro

60 g de yogur natural

1 huevo grande

½ cucharadita de extracto natural de vainilla

2 cucharadas de leche entera (o leche no láctea)

Precalentar el horno a 375°F (190°C). Engrasar un molde para muffins con spray vegetal.

Combinar la harina, el polvo de hornear, la sal y la canela en un tazón pequeño.

Colocar el puré, el aceite, el jربة, el yogur, el huevo, la vainilla y la leche en el bol de la procesadora. Pulsar 10 veces.

Agregar los ingredientes secos, esparciéndolos uniformemente. Pulsar suavemente, justo hasta combinar los ingredientes. Tener cuidado de no procesar demasiado.

Echar aproximadamente ¼ taza de la mezcla en cada molde.

Papilla de frutas de invierno con yogur

Las frutas secas, disponibles todo el año, permiten preparar deliciosas papillas.

Cantidad: 12 porciones de 30 g

65 g de ciruelas pasas, en pedazos

75 g de dátiles, en pedazos

1 manzana mediana, pelada y cortada en pedazos

200 ml de agua

125 g de yogur natural

Colocar las ciruelas pasas, los dátiles y la manzana en el bol. Cerrar la tapa.

Echar el agua en la cámara de calentamiento y regresar el vaso medidor adentro de ésta.

Cerrar la tapa del aparato y poner la perilla de control en "STEAM".

Tras apagarse el indicador luminoso, poner la perilla de control en "CHOP". Pulsar varias veces, y luego procesar durante 20–25 segundos, hasta conseguir una mezcla homogénea.

Agregar el yogur y pulsar aproximadamente 8 veces.

Dejar enfriar antes de servir. Refrigerar (durante hasta 3 días) o congelar en porciones individuales si no lo va a usar inmediatamente.

Información nutricional por porción:

Calorías 49 (7% de grasa) • Carbohidratos 12g
• Proteínas 1g • Grasa 0g • Grasa saturada 0g
• Colesterol 1mg • Sodio 5mg • Calcio 20mg • Fibra 1g

Papilla de cordero con cebada

Una sabrosa combinación de alimentos muy nutritivos para su bebé.

Cantidad: 16 porciones de 30 g

140 g de cordero (pierna o paleta), en pedazos

140 g de calabaza moscada o chiviría (o una combinación de los dos), en pedazos

225 ml de agua

79 g de cebada perlada cocida

Colocar el cordero y los vegetales crudos en el bol. Cerrar la tapa.

Echar el agua en la cámara de calentamiento y regresar el vaso medidor adentro de ésta.

Cerrar la tapa del aparato y poner la perilla de control en "STEAM".

Tras apagarse el indicador luminoso, poner la perilla de control en "CHOP". Pulsar 10 veces, y luego procesar durante 30 segundos, hasta conseguir una mezcla homogénea.

Agregar la cebada, pulsar 10 veces y luego procesar hasta obtener la consistencia deseada.

Dejar enfriar antes de servir. Refrigerar (durante hasta 3 días) o congelar en porciones individuales si no lo va a usar inmediatamente.

Información nutricional por porción:

Calorías 22 (20% de grasa) • Carbohidratos 2g
• Proteínas 2g • Grasa 1g • Grasa saturada 0g
• Colesterol 6mg • Sodio 6mg • Calcio 6mg • Fibra 0g

Crema de pollo

La primera "sopa" de pollo de su bebé.

Cantidad: 13 porciones de 30 g

200 g de pechuga de pollo, en pedazos

55 g de zanahoria, pelada y cortada en pedazos

55 g de apio, pelado y cortado en pedazos

225 ml de agua
1 cucharada de hojas de perejil picadas

Colocar el pollo, la zanahoria, el apio y el perejil en el bol. Cerrar la tapa.

Echar el agua en la cámara de calentamiento y regresar el vaso medidor adentro de ésta.

Cerrar la tapa del aparato y poner la perilla de control en "STEAM".

Tras apagarse el indicador luminoso, poner la perilla de control en "CHOP". Pulsar varias veces, y luego procesar durante 20–25 segundos, hasta conseguir una mezcla homogénea.

Dejar enfriar antes de servir. Refrigerar (durante hasta 3 días) o congelar en porciones individuales si no lo va a usar inmediatamente.

Información nutricional por porción de una onza:

Calorías 32 (45% de grasa) • Carbohidratos 1g
• Proteínas 4g • Grasa 2g • Grasa saturada 1g
• Colesterol 11mg • Sodio 18mg • Calcio 7mg • Fibra 0g

Papilla de cereal de arroz y vegetales

Esta receta es ideal para introducir alimentos combinados en la dieta de su bebé.

Cantidad: 10 porciones de 30 g

135 g de camote/batata, en cubitos

30 g de zanahoria, pelada y cortada

en cubitos de ½ pulgada

30 g de habichuelas, en trocitos

35 g de arvejas congeladas

225 ml de agua

4 cucharadas de cereal de arroz para bebés

8 cucharadas de leche materna, fórmula o agua

Colocar el camote, la zanahoria y las habichuelas en el bol. Cerrar la tapa.

Echar el agua en la cámara de calentamiento y regresar el vaso medidor adentro de ésta.

Cerrar la tapa del aparato y poner la perilla de control en "STEAM".

Mientras los vegetales están cociendo, preparar el cereal de arroz. Mezclar el cereal con la cantidad recomendada del líquido deseado, hasta obtener una mezcla suave.

Tras apagarse el indicador luminoso, poner la perilla de control en "CHOP". Pulsar 10 veces, y luego procesar durante 20–25 segundos, hasta conseguir una mezcla homogénea. Agregar el cereal y pulsar 8–10 veces.

Dejar enfriar antes de servir. Refrigerar (durante hasta 3 días) o congelar en porciones individuales si no lo va a usar inmediatamente.

Información nutricional por porción:

Calorías 47 (19% de grasa) • Carbohidratos 0g • Proteínas 1g • Grasa 1g Grasa saturada 0g • Colesterol 0mg • Sodio 22mg • Calcio 24 mg • Fibra 1g

Papilla "hippy"

Una comida completa y súper nutritiva para su bebé.

Cantidad: 14 porciones de 30 g

135 g de camote/batata, pelado y

135 g de tofu (queso de soja) suave, en

115 g pedazos de 1 pulgada

de verduras de hoja (por ej. una

35 g combinación de col rizada, espinaca y

225 ml de agua

½ aguacate maduro

100 g de arroz integral cocinado

Colocar el camote, el tofu y las verduras de hoja en el bol. Cerrar la tapa.

Echar el agua en la cámara de calentamiento y regresar el vaso medidor adentro de ésta.

Cerrar la tapa del aparato y poner la perilla de control en "STEAM".

Tras apagarse el indicador luminoso, agregar el aguacate y el arroz y poner la perilla de control en "CHOP". Pulsar 10 veces, y luego procesar durante 20–30 segundos, hasta conseguir una mezcla homogénea.

Dejar enfriar antes de servir. Refrigerar (durante hasta 3 días) o congelar en porciones individuales si no lo va a usar inmediatamente.

Información nutricional por porción:

Calorías 29 (41% de grasa) • Carbohidratos 3g • Proteínas 1g • Grasa 1g Grasa saturada 0g • Colesterol 0mg • Sodio 5mg • Calcio 12mg • Fibra 1g

Papilla de lentejas y vegetales

!Las lentejas son una excelente fuente de proteínas para su bebé!

Cantidad: 12 porciones de 30 g

140 g de calabaza moscada , pelada y

65 g cortada en pedazos

15 g de perejil, sin tallos

25 g de apio, en rodajas

225 ml de agua

100 g de lentejas cocinadas

Colocar la calabaza, la zanahoria, el perejil y el apio en el bol. Cerrar la tapa.

Echar el agua en la cámara de calentamiento y regresar el vaso medidor adentro de ésta.

Cerrar la tapa del aparato y poner la perilla de control en "STEAM".

Tras apagarse el indicador luminoso, agregar las lentejas. Pulsar 10 veces, y luego procesar durante 15–25 segundos, hasta conseguir una mezcla homogénea.

Dejar enfriar antes de servir. Refrigerar (durante hasta 3 días) o congelar en porciones individuales si no lo va a usar inmediatamente.

Información nutricional por porción:

Calorías 17 (2% de grasa) • Carbohidratos 3g • Proteínas 1g • Grasa 0g • Grasa saturada 0g • Colesterol 0mg • Sodio 19mg • Calcio 12mg • Fibra 1g

Las siguientes recetas se proporcionan con el fin de darle ideas sobre qué comidas puede preparar en la procesadora de alimentos para bebés & calentador de biberones Cuisinart Baby™. No todas las recetas de biberones pueden ser apropiadas para todos los bebés. Consulte primero con el pediatra de su bebé para saber cuáles de estas recetas puede prepararle a su bebé

Avena con canela y frutas tropicales

Cantidad: 18 porciones de 30 g

140 g de mango, en pedazos

140 g de papaya, en pedazos

100 ml de agua

1 banano maduro, en trozos de

15 g de avena cocida

¼ cucharadita de canela en polvo

Colocar el mango y la papaya en el bol. Cerrar la tapa.

Echar el agua en la cámara de calentamiento y

regresar el vaso medidor adentro de ésta.

Cerrar la tapa del aparato y poner la perilla de

control en "STEAM".

Tras apagarse el indicador luminoso, agregar el

banana, la avena y poner la perilla de

control en "CHOP". Pulsar 10 veces, y luego

procesar durante 20–30 segundos, hasta conseguir

una mezcla homogénea.

Dejar enfriar antes de servir. Refrigerar (durante

hasta 3 días) o congelar en porciones individuales si

no lo va a usar inmediatamente.

Información nutricional por porción:
 Calorías 19 (8% de grasa) • Carbohidratos 5g
 • Proteínas 0g • Grasa 0g • Grasa saturada 0g
 • Colesterol 0mg • Sodio 1mg • Calcio 4mg • Fibra 1g

Papilla de vegetales

!Esta papilla de vegetales dulce le encantará

a su bebé!

Cantidad: 16 porciones de 30 g

30 g de espinaca fresca

125 g de calabacín, en pedazos

1 zanahoria mediana, pelada y cortada en

pedazos

225 ml de agua

1 pera mediana MUY madura, pelada y

cortada en pedazos

Colocar la espinaca, el calabacín y la zanahoria en

el bol. Cerrar la tapa.

Echar el agua en la cámara de calentamiento y

regresar el vaso medidor adentro de ésta.

Cerrar la tapa del aparato y poner la perilla de

control en "STEAM".

Tras apagarse el indicador luminoso, agregar la

pera. Pulsar 10 veces, y luego procesar durante

20–30 segundos, hasta conseguir una mezcla

homogénea.

Dejar enfriar antes de servir. Refrigerar (durante

hasta 3 días) o congelar en porciones individuales si

no lo va a usar inmediatamente.

Información nutricional por porción:
 Calorías 9 (3% de grasa) • Carbohidratos 2g
 • Proteínas 0 g • Grasa 0 g • Grasa saturada 0 g
 • Colesterol 0mg • Sodio 4mg • Calcio 5mg • Fibra 1g

Papilla verde

Es importante introducir vegetales verdes en la dieta de su bebé lo más pronto posible. Esta receta dulce es una buena forma de empezar.

Cantidad: 10 porciones de 30 g

130 g de chirimía, pelada y rebanada

135 g de camote/patata, pelado y

30 g de perejil, sin tallos

35 g de col rizada rallada

225 ml de agua

Colocar todos los vegetales en el bol. Cerrar la tapa.

Echar el agua en la cámara de calentamiento y

regresar el vaso medidor adentro de ésta.

Cerrar la tapa del aparato y poner la perilla de

control en "STEAM".

Tras apagarse el indicador luminoso, poner la perilla

de control en "CHOP". Pulsar 10 veces, y luego

procesar durante 20–30 segundos, hasta conseguir

una mezcla homogénea.

Dejar enfriar antes de servir. Refrigerar (durante

hasta 3 días) o congelar en porciones individuales si

no lo va a usar inmediatamente.

Información nutricional por porción:
 Calorías 24 (2% de grasa) • Carbohidratos 6g
 • Proteínas 1g • Grasa 0g • Grasa saturada 0g
 • Colesterol 0mg • Sodio 12mg • Calcio 59mg • Fibra 1g

Chirivías	6-8 meses	2 chirivías medianas, en rebadadas	225 ml	Pulsar 6 veces, y luego procesar durante 20-30 segundos, hasta conseguir una mezcla homogénea.	25 minutos	10 porciones de 30 g	Alto en vitamina C y fibras
Nabos	8-10 meses	1 nabo mediano, pelado y cortado en pedazos	225 ml	Pulsar 6 veces, luego procesar durante 20-30 segundos, hasta conseguir una mezcla homogénea.	25 minutos	12 porciones de 30 g	Vitamina C, calcio, fibras y ácido fólico
Camote/Batata	6 meses	1 camote mediano, pelado y cortado en pedazos	225 ml	Pulsar 6 veces, y luego procesar durante 20-30 segundos, hasta conseguir una mezcla homogénea.	25 minutos	12 porciones de 30 g	Alto en vitamina A, calcio, potasio y fibras
Calabacines	6-8 meses	2 calabacines medianos, en pedazos	175 ml	Pulsar 5-6 veces, y luego procesar durante 15-20 segundos, hasta conseguir una mezcla homogénea.	20 minutos	13 porciones de 30 g	Vitaminas B y C
PROTEÍNAS							
Pollo/Pavo (pechuga)	6-8 meses	1 pechuga de pollo, deshuesada y cortada en pedazos	225 ml	Pulsar 10 veces, y luego procesar durante aproximadamente 30 segundos, raspando el bol si es necesario, hasta conseguir una mezcla homogénea.	25 minutos	8 porciones de 30 g	Proteínas, vitamina B, hierro, aminoácidos esenciales y selenio
Pollo (carne oscura)	6-8 meses	225 g de peñas o muslos de pollo, sin piel y cortado en pedazos	225 ml	Pulsar 10 veces, y luego procesar durante aproximadamente 30 segundos, raspando el bol si es necesario, hasta conseguir una mezcla homogénea.	25 minutos	8 porciones de 30 g	Proteínas, vitamina B, hierro, ácido fólico y aminoácidos esenciales
Res/Cordero (deshuesado)	8-10 meses	225 g de res o cordero, en pedazos	225 ml	Pulsar 10 veces, y luego procesar durante aproximadamente 30 segundos, raspando el bol si es necesario, hasta conseguir una mezcla homogénea.	25 minutos	8 porciones de 30 g	Alto en proteínas, ácido fólico, vitamina B-12, hierro, selenio y aminoácidos esenciales
Pescado	8-12 meses	115-140 g de filete de salmón o pescado blanco	100 ml	Pulsar 6 veces, y luego procesar durante 25-30 segundos, hasta conseguir una mezcla homogénea.	15 minutos	seis porciones de 30 g	Proteínas, ácidos grasos esenciales (Omega 3 y 6), vitaminas B-12 y D, calcio y selenio
Tofu (queso de soya)	6-8 meses	395 g de tofu suave, en pedazos	100 ml	Pulsar 5 veces, y luego procesar durante 20-30 segundos, raspando el bol si es necesario, hasta conseguir una mezcla homogénea.	15 minutos	16 porciones de 30 g	Proteínas y calcio

Ciruelas	6-8 meses	3 ciruelas, peladas, deshuesadas y cortadas en pedazos	100-125 ml	Pulsar 3-4 veces, y luego procesar durante 15-20 segundos, hasta conseguir una mezcla homogénea.	15 minutos	30 g porciones de	Vitaminas A y C, y potasio
VEGETALES							
Remolachas	8-10 meses	2-3 remolachas pequeñas, peladas y cortadas en pedazos	225 ml	Pulsar 8-10 veces, y luego procesar durante aproximadamente 30 segundos, raspando el bol si es necesario, hasta conseguir una mezcla homogénea.	25 minutos	11 porciones	Alto en beta caroteno, ácido fólico, calcio, magnesio y potasio
Brécol	8-10 meses	255 g de cogollos y tallos pelados, cortados en pedazos	225 ml	Pulsar 8 veces, y luego procesar durante 20-30 segundos, hasta conseguir una mezcla homogénea.	25 minutos	8 porciones	Alto en vitaminas C y K, y calcio.
Coliflor	8-10 meses	245 g de cogollos, cortados en pedazos	225 ml	Pulsar 8 veces, y luego procesar durante aproximadamente 30 segundos, hasta conseguir una mezcla homogénea.	25 minutos	12 porciones	Alto en vitaminas B y C, ácido fólico y fibras
Zapallo/calabaza	6-8 meses	285 g de calabaza, pelada, sin semillas y cortada en pedazos	225 ml	Pulsar 8 veces, y luego procesar durante 20-30 segundos, hasta conseguir una mezcla homogénea.	25 minutos	10 porciones	Alto en vitaminas A y C, beta caroteno y calcio
Zanahorias	6-8 meses	5-6 zanahorias, cortadas en pedazos (aproximadamente 300 g)	225 ml	Pulsar 8 veces, y luego procesar durante 20-30 segundos, hasta conseguir una mezcla homogénea.	25 minutos	11 porciones	Alto en vitamina A, beta caroteno y fibras
Habichuelas	6 meses	170 g de habichuelas, lavadas, los extremos cortados y cortadas en trozos	175 ml	Pulsar 8 veces, y luego procesar durante 20-30 segundos, hasta conseguir una mezcla homogénea.	20 minutos	12 porciones	Vitamina A y C, beta caroteno, calcio y fibras
Arvejas	6-8 meses	300 g de arvejas congeladas	175 ml	Pulsar 10 veces, y luego procesar durante aproximadamente 30 segundos, raspando el bol si es necesario, hasta conseguir una mezcla homogénea.	20 minutos	14 porciones	Vitaminas A, B y C, fibra y ácido fólico
Hinojo	8-10 meses	1 bulbo mediano, en pedazos	225 ml	Pulsar 6-8 veces, y luego procesar durante 20-30 segundos, hasta conseguir una mezcla homogénea.	25 minutos	13 porciones	Vitamina C, potasio y calcio

GUÍA DE PROCESADO Y TABLA DE CAPACIDAD

La tabla siguiente puede servir de guía para determinar qué tipo de alimento introducir en la dieta de su bebé, cómo prepararlo y la cantidad preparada. Alimentos no incluidos en esta tabla pueden prepararse de la misma manera. Siempre pregunte a su médico cual comida conviene a su bebé. Este libro de recetas es una guía general y no debe ser interpretado como consejo médico.

Alimento	Edad en que se puede introducir en la dieta	Preparación	Cantidad de agua	Procesado	Tiempo de cocción al vapor	Cantidad aproximada	Elementos nutritivos
FRUTAS							
Manzanas	6 meses	2 manzanas medianas, peladas y cortadas en pedazos	125 ml	Pulsar 3-4 veces, y luego procesar durante 15-20 segundos, hasta conseguir una mezcla homogénea.	20 minutos	10 porciones de 30 g	Alto en fibras. Contiene vitaminas A y C, así como oligoelementos.
Albaricoques secos/Cruetas pasas deshuesadas	6-8 meses	285 g	225 ml	Pulsar aproximadamente 8 veces, y luego procesar durante aproximadamente 30 segundos, raspando el bol si es necesario, hasta conseguir una mezcla homogénea.	25 minutos	1 ½ taza o 10 porciones de 30 g	Alto en vitaminas A y B, y fibras. También contiene potasio y fibras.
Aguacate	6 meses	1 aguacate maduro	No correponde	Sacar la carne con una cuchara y colocarla en el bol. Pulsar 4-5 veces, y luego procesar durante 20-30 segundos, hasta conseguir una mezcla homogénea.	No correponde	seis porciones de 30 g	Alto en vitamina B, ácido fólico, magnesio y fibras
Bananos	6 meses	1 banana mediano, pelado y cortado en tres trozos	No correponde	Pulsar 2-3 veces, y luego procesar durante 15-20 segundos, hasta conseguir una mezcla homogénea.	No correponde	3 porciones de 30 g	Alto en potasio, fibras, vitamina B y ácido fólico
Papaya	8-10 meses	2 papayas MADURAS, cortadas en pedazos	No correponde	Pulsar 4 veces, y luego procesar durante 25-30 segundos, hasta conseguir una mezcla homogénea.	No correponde	10 porciones de 30 g	Alto en vitaminas A y C, y beta caroteno. También contiene calcio, ácido fólico y fibras.
Duraznos	6-8 meses	3 duraznos medianos, pelados, deshuesados y cortados en pedazos	100-125 ml	Pulsar 6 veces, y luego procesar durante 20-30 segundos, hasta conseguir una mezcla homogénea.	15 minutos	11 porciones de 30 g	Vitaminas A y C, y potasio
Peras	6 meses	2 peras medianas, peladas y cortadas en pedazos	100-125 ml	Pulsar 3-4 veces, y luego procesar durante 15-20 segundos, hasta conseguir una mezcla homogénea.	15 minutos	12 porciones de 30 g	Vitamina C, fibras, calcio y ácido fólico

LIMPIEZA Y MANTENIMIENTO

Siempre desconecte el aparato antes de limpiarlo.

Limpiere de los accesorios y de la base

- Enjuague el bol, la tapa del bol y la cuchilla inmediatamente después de cada uso. Lávelos en agua jabonosa tibia, o en la bandeja superior del lavavajillas.
- Procure no dejar la cuchilla en agua jabonosa, donde la pueda perder de vista. Lave la cuchilla cuidadosamente.
- El bol, la tapa del bol, la cuchilla y la espátula son aptos para lavavajillas. Coloque el bol (al revés) y la tapa (recta) en la bandeja superior del lavavajillas. Coloque la cuchilla y la espátula en la cesta para cubiertos. Tenga cuidado al sacar la cuchilla del lavavajillas.
- Limpie el cuerpo del aparato con un paño ligeramente humedecido. Séquelo inmediatamente. Nunca sumerja el bloque-motor o la clavija en agua u otro líquido.

Eliminación del sarro

- Con el tiempo, depósitos de calcio (sarro) pueden acumularse. Esto puede dañar el aparato. Para evitar que los depósitos se acumulen, limpie la cámara para aproximadamente una vez al mes.
- Para eliminar el sarro, eche 100 ml de agua y 100 ml de vinagre blanco destilado en la cámara de calentamiento. Deje la mezcla en la cámara durante la noche y vacíe esta al día siguiente. Enjuague la cámara a fondo después de vaciarla.

ALMACENAJE

- La procesadora de alimentos para bebés & calentador de biberones Cuisinart Baby™ es fácil de almacenar directamente sobre la encimera. Cuando no usa el aparato, asegúrese de que la cámara de calentamiento esté vacía y manténgalo desconectada. Guarde el cable en el espacio debajo de la base. Guarde el aparato ensamblado para evitar perder piezas. **Guarde la cuchilla fuera del alcance de los niños.**
- La procesadora de alimentos para bebés & calentador de biberones Cuisinart Baby™ ha sido diseñada para **USO DOMÉSTICO SOLAMENTE.** Toda reparación, excepto la limpieza y el mantenimiento por parte del usuario, debe ser llevada a cabo por personal de servicio autorizado.

Problema: Los resultados no son homogéneos.

Solución: Puede que esté procesando demasados alimentos o que los pedazos estén demasado grandes.

Corte los alimentos en pedazos uniformes más pequeños, y procese pequeñas cantidades a la vez.

Problema: Los alimentos pegan a la tapa y/o a los lados del bol o se traban en la cuchilla.

Solución: Puede que esté procesando demasados alimentos. Aparte el aparato. Espere hasta que la cuchilla esté completamente inmóvil, y luego abra la tapa del bol y desaloje los alimentos con la espátula.

Problema: El aparato se apaga durante la cocción al vapor.

Solución: Puede que la cámara de calentamiento esté vacía. Agregue más agua.

Problema: Un residuo blanco se está formando en la cámara de

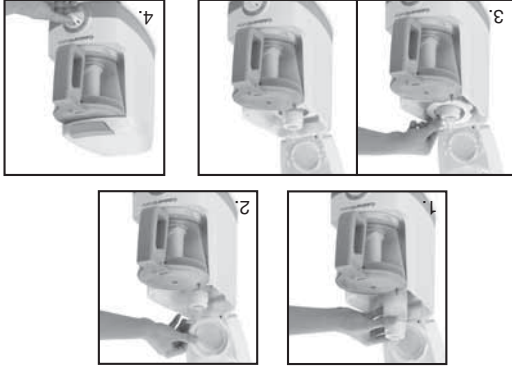
Solución: El agua rica en minerales causa depósitos de calcio (sarro) en la cámara de calentamiento. Para evitar que los depósitos se acumulen, limpie la cámara aproximadamente una vez al mes. Véase las instrucciones de eliminación del sarro en la sección "Limpieza y mantenimiento". Para ayudar a minimizar el depósito de calcio, utilice agua mineral o purificada.

Problema: La leche/fórmula está demasado caliente/fría.

Solución: Muchos elementos influyen sobre la temperatura del biberón, como por ejemplo la cantidad de agua en la cámara de calentamiento. Véase las pautas de agua para más información. Si la leche/fórmula está demasado caliente, utilice menos agua la próxima vez. Si la leche/fórmula está demasado fría, utilice más agua la próxima vez.

RESOLUCIÓN DE PROBLEMAS

Nota: Para evitar el recalentamiento, la cámara de calentamiento debe enfriarse antes de volver a usarse. Si desea acelerar el proceso de enfriamiento de la cámara para calentar otro biberón, vierta 0,5 L de agua fría en la cámara de calentamiento y deje reposar por dos minutos. Después de este tiempo, incline el aparato hacia la izquierda, encima del fregadero, para vaciar el agua.



Problema: La cocción al vapor no empieza al encender el aparato.

Solución: Cerciórese que el cable está debidamente enchufado en una toma de corriente.

Solución: Puede que la cámara de calentamiento esté vacía. Eche agua en la cámara.

Solución: Puede que la tapa del aparato no esté debidamente cerrada. Presione el botón de liberación de la tapa para abrirla, y luego ciérrela otra vez, presionando firmemente.

Problema: Vapor está saliendo de la parte trasera del aparato.

Solución: Esto puede suceder si la tapa del bol no está debidamente cerrada. Apague el aparato (OFF) y alce la tapa. Vuelva a cerrar la tapa, presionando firmemente para formar un sello hermético.

Solución: El orificio encima de la cuchilla o de la tapa del bol puede estar obstruido por alimentos. Retire cuidadosamente la cuchilla y enjuáguela bien. Cerciórese que no está obstruida, y luego regrésela adentro del bol.

Problema: La unidad no se vuelve a encender para volver a cocer alimentos o calentar un segundo biberón.

Solución: Para evitar el recalentamiento, la cámara de calentamiento debe enfriarse antes de volver a usarse. Si desea acelerar el proceso de enfriamiento de la cámara para calentar otro biberón, vierta 0,5 L de agua fría en la cámara de calentamiento y deje reposar por dos minutos. Después de este tiempo, incline el aparato hacia la izquierda, encima del fregadero, para vaciar el agua.

Problema: Queda agua en la cámara de calentamiento.

Solución: Para vaciar la cámara de calentamiento, abra la tapa y retire la taza de medir de la ella. Incline el aparato hacia la izquierda, encima del fregadero, para vaciar el agua.

Problema: El sello del bol y/o el eje están descoloreados.

Solución: Esto puede suceder cuando cuece al vapor o pica alimentos colorados como zanahorias o remolachas. No afectará el rendimiento del aparato. Para evitar que esto suceda, lave el bol y los accesorios inmediatamente después de cada uso.

Problema: El motor no se pone en marcha/la cuchilla no gira.

Solución: Cerciórese que el cable está debidamente enchufado en una toma de corriente.

Solución: Puede que la tapa del aparato no esté debidamente cerrada. Presione el botón de liberación de la tapa para abrirla, y luego ciérrela otra vez, presionando firmemente.

la tapa del bol, y desaloje los alimentos con la espátula. No ponga las manos adentro del bol a menos que el aparato esté desconectado.

NOTA: Le aconsejamos que no procese alimentos de manera continua durante más de un minuto a la vez. Para lograr resultados óptimos, deje descansar el aparato durante 20–30 segundos después de cada ciclo.

CALENTADOR DE BIBERONES

NOTA: Estas instrucciones deben usarse como pauta únicamente. Tenga en cuenta que muchas variables, como el tamaño del biberón y la temperatura de los alimentos, pueden afectar el tiempo de calentamiento y la temperatura final.

Puede ser necesario ajustar las instrucciones a continuación.

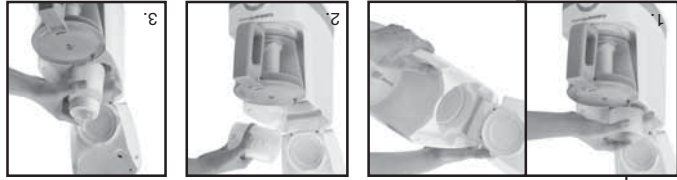
Siempre pruebe la temperatura de los alimentos antes de alimentar a su bebé.

1. Alce la tapa del aparato y retire el vaso medidor de la cámara de calentamiento. **Importante: Cerciórese que no hay agua en la cámara de calentamiento*.**

* Para vaciar la cámara de calentamiento, abra la tapa y retire el vaso medidor de la cámara. Inclíne el aparato hacia la izquierda, encima del fregadero, para vaciar el agua.

2. Llene el vaso medidor hasta la línea que corresponde a la cantidad de leche que desea calentar (véase la tabla a continuación). Vierta el agua directamente en la cámara de calentamiento.

Pautas de calentamiento de los biberones		
Capacidad aproximada del biberón	125 ml	250 ml
Cantidad de agua para calentar un biberón frío (refrigerada 5°C)	12 ml	12 ml
Cantidad de agua para calentar un biberón tibio 20°C	8 ml	8 ml



3. Instale el adaptador para biberones y caliente el biberón (véase las instrucciones a continuación). Nota: No utilice el adaptador con biberones de vidrio.

4. Deje el biberón reposar durante 15–30 segundos antes de retirarlo y luego retírelo con mucho cuidado. Agite el biberón para distribuir la temperatura de su contenido antes de probar la temperatura.

5. Coloque el biberón en la cámara de calentamiento y ponga la perilla de control en la posición "STEAM". El indicador luminoso se encenderá. El aparato y el indicador luminoso se apagaran automáticamente al final del ciclo de calentamiento. Ponga la perilla de control en la posición "OFF".

ADAPTADOR PARA BIBERONES ANGOSTOS

1. Coloque el biberón en la cámara de calentamiento.

2. Libere el adaptador de las patas ubicadas debajo de la tapa.

3. Coloque el adaptador sobre el biberón.

Nota: Si el adaptador no se ajusta holgadamente alrededor del biberón, no lo use. Nota: No utilice el adaptador con biberones de vidrio.

4. Ponga la perilla de control en la posición "STEAM". El aparato y el indicador luminoso se apagaran automáticamente al final del ciclo de calentamiento. Ponga la perilla de control en la posición "OFF".

5. Deje el biberón reposar durante 15–30 segundos antes de retirarlo y retírelo con mucho cuidado. Agite el biberón para distribuir la temperatura de su contenido antes de probar la temperatura.

Siempre pruebe la temperatura de los alimentos antes de alimentar el bebé.

FUNCIONAMIENTO

CÓMO COCER LOS ALIMENTOS AL VAPOR

1. Presione el botón de liberación de la tapa para

abrir ésta. **Nota:** Debe colocar la cuchilla de

cocción al vapor antes de añadir los alimentos.

2. Agarre el bol por el asa y colóquelo sobre la base.

Instale la cuchilla adentro del bol, agarrándola

cuidadosamente por el eje de plástico. Presione

fírmemente para sujetarla.

3. Retire el vaso medidor de la cámara de

calentamiento.

4. Llene el vaso medidor con agua hasta la línea que

corresponde a la cantidad de alimentos que desea

cocer al vapor (véase la tabla en la página 10).

5. Vierta el agua en la cámara de calentamiento

y regrese el vaso medidor adentro de ésta.

NOTA: Para cocer los alimentos al vapor, el

vaso medidor debe estar en la cámara de

calentamiento.

6. Coloque los alimentos que desea cocer al vapor

en el bol y cierre la tapa del mismo, presionando

para formar un sello hermético. Alinee el asa de la

tapa con el asa del bol.

7. Cierre la tapa del aparato, presionando

fírmemente para bloquearla.

8. Ponga la perilla de control en la posición

"STEAM". El indicador luminoso se encenderá.

El aparato y el indicador luminoso se apagarán

automáticamente al final de la cocción.

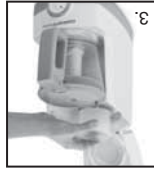
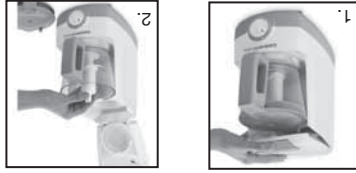
Importante: Siempre pruebe la temperatura de

los alimentos antes de alimentar a su bebé.

NOTA: Nunca abra la tapa mientras los alimentos

están cocinándose al vapor.
NOTA: Es normal que el vapor se escape por los

orificios de ventilación durante la cocción.



CÓMO PICAR/LICUAR LOS ALIMENTOS
1. Una vez terminada la cocción al vapor, abra la

tapa del aparato y la tapa del bol para asegurarse

de que los alimentos estén suficientemente

suaves para procesarse. Averigüe la cantidad de

líquido antes de procesar. Cualquier líquido de

cocción sobrante puede usarse para aumentar

el contenido nutricional y/o lograr la consistencia

deseada. **Precaución:** La tapa del aparato y la

tapa del bol estarán muy calientes después de

la cocción. **Abralas con mucho cuidado.**

2. Vuelva a cerrar la tapa del bol y la tapa del aparato.

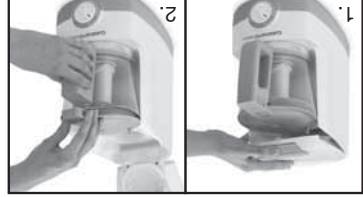
3. Presione fírmemente para bloquear.

4. Ponga la perilla de control en la posición "CHOP".

5. Pulse para picar o mantenga la perilla en esta

posición para licuar. Pulsar le permite controlar la

consistencia de los alimentos con más precisión.



Cómo desalojar los alimentos trabados en el bol

Puede que los alimentos peguen a los lados

del bol durante el procesamiento. Apague el

aparato antes de desalojarlos. **ESPERE HAS-**

TA QUE LA CUCHILLA ESTÉ COMPLETA-

MENTE INMOVIL, retire la tapa del aparato y

CUÁNDO Y CÓMO INTRODUCIR PAPILLAS A LA DIETA DE SU BEBÉ*

Cada bebé se desarrolla a su ritmo propio, pero algunos cambios y comportamientos pueden indicar que su bebé está listo para alimentos sólidos.

Esté atento a lo siguiente en su bebé:

- Sostiene su cabeza
- "Masca"
- Pesa el doble de su peso al nacer
- Puede sentarse en una silla de comer
- Es curioso acerca de los alimentos
- Tiene hambre después del biberón o del seno
- Le están saliendo los dientes
- Acepta los alimentos en vez de rechazarlos

El primer alimento sólido que debería introducir en la dieta de su bebé son los cereales. Empezar con arroz, cebada o avena cuando su bebé tenga aproximadamente 6 meses. Una vez que come cereales, es preferible empezar a introducir vegetales para que su bebé tenga la oportunidad de desarrollar el gusto por ellos antes de volverse goloso por los alimentos dulces. Después, introduzca frutas, y luego carne y pollo.

*El pediatra de su bebé es la persona más indicada para decirle cuándo es el momento en que su bebé puede comer alimentos sólidos y qué alimentos puede comer en cada etapa de crecimiento y desarrollo.

FUNCIONAMIENTO BÁSICO

CONSEJOS

Su procesadora de alimentos para bebés & calentador de biberones es ideal para licuar y cocer al vapor las frutas y los vegetales. Añadir el líquido

caliente durante el licuado conserva los nutrientes de manera óptima. Consulte nuestras pautas de cantidad de agua para preparar los pures más suaves – ajustando la cantidad de agua a gusto.

Introduzca nuevos alimentos uno a la vez. Sirva el mismo tipo de alimento durante por lo menos 3 días antes de introducir otro alimento, para asegurar que su bebé no tenga alergia.

Después de introducir varios alimentos a la dieta de su bebé, intente combinar los alimentos. Por ejemplo, combine avena con fruta, carnote/batata con manzana o pollo con zanahoria.

Si su bebé rechaza un alimento nuevo pero no tiene reacción adversa a éste, intente dárselo otra vez después de un par de días. Debido a sus propiedades alergénicas, algunos alimentos deben evitarse durante cierto periodo de tiempo. Los padres con un historial de alergia deberían ser muy prudentes.

Los alimentos siguientes deberían evitarse hasta después de 12 meses:

- Miel
- Maíz
- Claras de huevo
- Frutas cítricas (u otras crudas)
- Leche entera

después de 24 meses:

- Cacahuates/Mantecquilla de maní
- Nueces
- Mariscos

Siempre utilice ingredientes muy frescos, y si es posible, orgánicos. Las primeras papillitas no deberían ser sazonadas ni endulzadas. Ahorre

tiempo, preparando grandes cantidades y congelando recipientes herméticos. Nunca vuelva a congelar alimentos que han sido previamente

Algunos alimentos como las uvas, las zanahorias crudas, las pasas (y otras frutas pequeñas), los caramelos, los perritos calientes, las palomitas de maíz y pedazos grandes de carne presentan un riesgo de asfixia y deberían evitarse. Las verduras con alto contenido de nitratos como las espinacas, los nabos, las zanahorias y las remolachas, se deben ofrecer en cantidades limitadas a la vez.

Su bebé estará listo para comer con los dedos cuando muestre todos los comportamientos que indican una disposición a comer alimentos sólidos, alrededor de 8 meses. Otros signos incluyen: puede transferir elementos de mano a mano, tiene movimiento de masticación más constante, y pone "todo" en la boca.

PREPARACION

Tamaño

Siempre corte los alimentos grandes en pedazos uniformes de aproximadamente 1.5 cm x 1.5 cm Logrará resultados más homogéneos.

Cantidad

No sobrellene el bol. Esto hace que los resultados sean inconsistentes y exige demasiada fuerza del motor. Utilice como guía las cantidades recomendadas en las instrucciones, la tabla de capacidad o las recetas.

Líquidos

Se puede añadir agua, leche materna o fórmula para controlar la consistencia de las papillitas.

INDICE

Medidas de seguridad importantes	2
Importantes instrucciones de desempacado	3
Piezas y características	4
Cuándo y cómo introducir papillas a la dieta de su bebé	5
Funcionamiento básico	5
Funcionamiento	6
Resolución de problemas	6-8
Limpieza y mantenimiento	9
Guía de procesado y tabla de capacidad	10-12
Recetas	13
Garantía	19

6. **Botón de liberación de la tapa**
Con mecanismo de bloqueo, para mayor seguridad.

7. **Tapa del bol hermética**
Reduce el tiempo de cocción y mantiene los alimentos adentro del bol.

8. **Vaso medidor**
Con marcas individuales para cocer al vapor y calentar biberones.

9. **Espátula**
Diseño exclusivo.

10. **Espacio para guardar el cordón (no ilustrado)**
Mantiene la encimera nítida.

11. **Sin bifenol A (BPA)**
Las partes en contacto con los alimentos no contienen bifenol A (BPA).

PIEZAS Y CARACTERÍSTICAS

1. **Bol de 950 ml con marcas y pico vertedor**
Alta capacidad, para preparar altas cantidades que puede refrigerar/congelar para uso futuro.

2. Cuchilla

Pica, licua y distribuye el vapor uniformemente, para cocer los alimentos más rápido y uniformemente.

3. Perilla de control sencilla

Dos ajustes: "CHOP" para picar/licuar y "STEAM" para cocer al vapor y calentar los biberones.

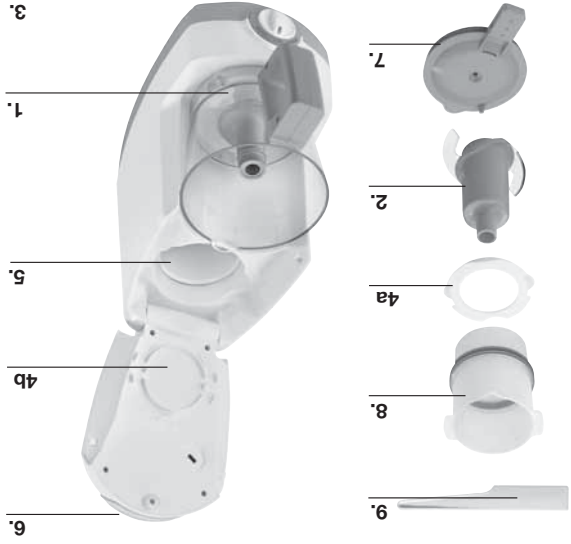
4a. Adaptador para biberones

Sella el vapor para calentar los biberones estrechos más rápidamente.

4b. **Espacio para guardar el adaptador para biberones angostos**
Guarda convenientemente el adaptador debajo de la tapa.

5. Cámara de calentamiento

Calienta el agua para cocer al vapor o calentar biberones de plástico o vidrio.



GUARDE ESTAS INSTRUCCIONES PARA USO DOMÉSTICO SOLAMENTE

El cable provisto con este aparato es corto, para reducir el peligro de que alguien se enganche o tropiece con un cable más largo. Se podrá usar una extensión eléctrica, siempre que respete las precauciones siguientes.

La clasificación nominal de la extensión debe ser por lo menos igual a la del aparato. Coloque el cordón sobre la encimera o la mesa de tal forma que niños no puedan jalár o tropezar con éste.

AVISO

El cable de este aparato está dotado de una clavija polarizada (una pata es más ancha que otra). Como medida de seguridad, se podrá enchufar de una sola manera en la toma de corriente polarizada. Si no entrara en la toma de corriente, invírtela. Si aún no entrara completamente, comuníquese con un electricista. No intente ir en contra de esta función de seguridad.

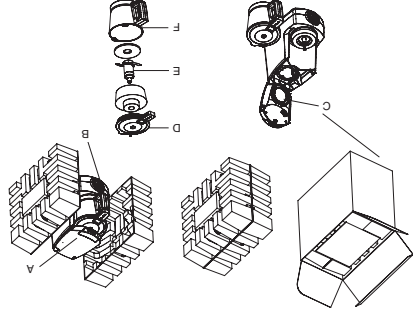
IMPORTANTES INSTRUCCIONES DE DESEMPACADO

Esta caja contiene la procesadora de alimentos para bebés & calentador de biberones Cuisinart Baby™, una cuchilla de metal para picar y licuar, un vaso medidor, un adaptador para biberones, una espátula y un manual de instrucciones/libro de recetas.

PRECAUCIÓN: LA CUCHILLA ES MUY FILOSA.

Para prevenir las heridas, desempaqué el aparato cuidadosamente, siguiendo las instrucciones siguientes:

1. Ponga la caja sobre una superficie espaciosa, llana y segura.



1. Abra la caja y retire el manual de instrucciones y otros folletos de la caja, así como la espátula.
2. Voltee la caja para que repose en el lado más ancho y deslice el aparato fuera de la caja, junto con la bandeja de cartón. Aleje la caja.
3. Retire el aparato de la bandeja de cartón.
4. Abra la tapa del aparato (A). Notará el adaptador para biberones (C) y el vaso medidor (D). Déjelos donde están.
5. Agarre el bol por el asa (B), aice el aparato y retire la bolsa de plástico y el material de embalaje que lo envuelven.
6. Abra la tapa del bol (D), y retire la espuma que se encuentra adentro de éste (F). **ALCE LA CUCHILLA (E) CUIDADOSAMENTE, SOSTIÉNDOLA POR EL EJE. NUNCA TOQUE LOS FILOS DE LA CUCHILLA. SON MUY AFILADOS.**
7. Retire la película de plástico que se encuentra en el fondo del bol (F).
8. Le aconsejamos que conserve el material de embalaje. Mantenga las bolsas de plástico fuera del alcance de los niños.
9. Lave todos los accesorios en agua jabonosa tibia antes del primer uso.
10. Lea todas las instrucciones cuidadosamente antes de usar el aparato.

MEDIDAS DE SEGURIDAD IMPORTANTES

Siempre que use aparatos eléctricos, debe tomar precauciones básicas de seguridad, entre las cuales las siguientes:

1. LEA TODAS LAS INSTRUCCIONES.

2. Desconecte el aparato cuando no esté en uso, antes de instalar o remover piezas, antes de limpiarlo y antes de vaciar el bol. Para desconectar el aparato, agarre el cable por la clavija. Nunca jale el cable. Permita que enfríe antes de manipularlo.

3. Para reducir el riesgo de electrocución, no coloque el bloque-motor en agua u otro líquido.

4. Supervise el uso de este aparato cuidadosamente cuando esté usado por o cerca de niños.

5. Evite el contacto con las piezas móviles.

6. **No utilice este aparato si el cordón o la clavija estuviesen dañados, después de que hubiese funcionado mal o que se hubiese caído o si estuviese dañado. Regrese el aparato a un centro de servicio autorizado para su revisión, reparación o ajuste.**

7. El uso de accesorios no recomendados o vendidos por Cuisinart presenta un riesgo de incendio, electrocución o herida.

8. No permita que el cordón cueigue del borde de la encimera o de la mesa, ni que haga contacto con superficies calientes.

9. No enchufe/desenchufe el cable con las manos mojadas.

10. No lo utilice en exteriores.

11. Para reducir el riesgo de herida seria o de daño al aparato, mantenga las manos y los utensilios lejos de la cuchilla durante el funcionamiento. Se podrá usar una espátula, siempre en cuando el aparato esté apagado.

12. **LA CUCHILLA ES MUY FILOSA.** Manipular con sumo cuidado al retirar, instalar o limpiar. Espere hasta que la cuchilla esté completamente inmóvil antes de abrir la tapa.

13. Para reducir el riesgo de heridas, asegúrese de que el bol esté debidamente ensablado antes de instalar la cuchilla.

14. Asegúrese de que la tapa esté debidamente cerrada antes de encender el aparato. No intente abrir la tapa hasta que la cuchilla esté completamente inmóvil.

15. Para evitar las heridas, no intente forzar el mecanismo de seguridad de la tapa.

16. Averigüe que no hay objetos extraños en el bol antes de usarlo.

17. **Asegúrese de que la comida esté a una temperatura segura antes de servir.**

18. No toque las superficies calientes. Utilice el mango y los botones o perillas.

19. Siga las pautas recomendadas en las instrucciones para determinar la cantidad de agua (fría o a temperatura ambiente)

20. Cerciórese de añadir la cantidad de agua debida antes de poner el biberón a calentar. Vacíe el agua remanente en la cámara calentadora después de cada uso.

21. Nunca abra la tapa mientras los alimentos están cocinándose.

22. No haga funcionar el aparato bajo o adentro de un armario. **Siempre desconecte el aparato antes de guardarlo en un armario.** Dejar el aparato conectado presenta un riesgo de incendio, especialmente si éste toca las paredes o la puerta del armario.

23. No utilice el aparato para ningún otro fin que no sea el indicado.

24. Si corresponde, conecte el cable al aparato y asegúrese de que corriente. Siempre apague el aparato (OFF) antes de desconectarlo.

25. No coloque el aparato sobre o cerca de un quemador a gas o una hornilla eléctrica caliente, ni en un horno caliente.

26. Desconecte el cable antes de servir. Mantenga el cable fuera del alcance de los niños.

27. Este aparato ha sido diseñado para procesar pequeñas cantidades de alimentos, para consumo inmediato, y es especialmente aconsejado para preparar alimentos para bebés. No ha sido diseñado para preparar altas cantidades de alimentos a la vez.



Procesadora de alimentos para bebés & calentador de biberones

Serie BFM-1000

Para su seguridad y para disfrutar plenamente de este producto, siempre lea las instrucciones cuidadosamente antes de usarlo.

Version no: N BFM1000 IB-11161-ESP-A

SIZE: 210MM X148MM

Pages: 40pp

Paper:105gsm Both side Artpaper for
Whole Book

Color: Cover:4C+1C
Inside:1C+1C(Black)

Coating: Gloss varnishing in cover

Conair: Conair By Astor You

Date: 05/11/2013

SUN HING PRINTING CO., LTD.