

# Cuisinart®

INSTRUCTION  
AND RECIPE  
BOOKLET



**Electric Fondue Pot**

**CFO-3SS**

For your safety and continued enjoyment of this product, always read the instruction book carefully before using.

---

## TABLE OF CONTENTS

Important Safeguards . . . . .	2
Preparing Your Fondue for Use. . . . .	3
Instructions for Use. . . . .	3
Special Features. . . . .	4
Suggested Temperatures for Fondues. . . . .	5
Tips & Hints. . . . .	5
Recipes. . . . .	7
Cleaning and Maintenance. . . . .	16
Warranty. . . . .	17

## IMPORTANT SAFEGUARDS

When using an electrical appliance, basic safety precautions should always be followed, including the following:

1. **READ ALL INSTRUCTIONS BEFORE USING.**
2. **Unplug from outlet when not in use and before cleaning. Allow to cool before putting on or taking off parts, and before cleaning the appliance.**
3. Do not touch hot surfaces. Use handles or knobs.
4. Always use hot pads when handling a hot fondue.
5. Do not immerse TEMPERATURE CONTROL PROBE or MAGNETIC CORD in water or other liquids.
6. Close supervision is necessary when any appliance is used near children.
7. Do not operate any appliance with a damaged cord or plug or after the appliance malfunctions, or has been damaged in any manner. Return appliance to Cuisinart for examination, repair, or adjustment.
8. The use of accessory attachments are not recommended by Cuisinart and may cause injuries.
9. Do not use outdoors.
10. Do not let cord hang over the edge of counter, or touch hot surfaces.
11. Do not place on or near a hot gas or electric burner, or in a heated oven.

12. Extreme caution must be used when moving fondue containing hot oil or other hot liquids.
13. Always attach plug to appliance first, then plug cord in the wall outlet. To disconnect, turn control to OFF, then remove plug from wall outlet.
14. Do not use appliance for other than intended use.
15. When making oil fondue, the temperature of fondue fork when removed from the hot oil is extremely hot. Take care not to eat directly from one of the fondue forks that has been removed from hot oil.
16. Be sure handles are secure and properly attached to bowl.
17. For oil fondues, do not fill FONDUE with more than 3½ cups oil.
18. Use only on heat-resistant surfaces.
19. Do not use more than eight fondue forks when cooking in hot oil.
20. Do not operate your appliance in an appliance garage or under a wall cabinet. **When storing in an appliance garage always unplug the unit from the electrical outlet.** Not doing so could create a risk of fire, especially if the appliance touches the walls of the garage or the door touches the unit as it closes.

## SAVE THESE INSTRUCTIONS FOR HOUSEHOLD USE ONLY

### SPECIAL CORD SET INSTRUCTIONS

Do not immerse magnetic cord or temperature control probe in water or any liquid.

Do not attempt to defeat the detachable magnetic system by trying to permanently attach cord set to product.

Do not stick pins or other sharp objects in holes on magnetic cord set.

Do not use any type of steel wool to clean magnetic contacts.

---

This product contains no user-serviceable parts. Temperature control probe does not need lubrication. Do not attempt to service this product. A short power supply cord is provided to reduce the risk resulting from becoming entangled in or tripping over a longer cord. An extension cord may be used with care. However, the marked electrical rating of the extension cord should be at least as great as the electrical rating of the fondue pot. The extension cord should not be allowed to drape over the counter or tabletop where it can be pulled on by children or animals, or tripped over unintentionally.

## NOTICE

This appliance has a polarized plug (one blade is wider than the other). To reduce the risk of electric shock, this plug will fit in a polarized outlet only one way. If the plug does not fit fully in the outlet, reverse the plug. If it still does not fit, contact a qualified electrician. Do not modify the plug in any way.

## PREPARING YOUR FONDUE FOR USE

Wash fondue pot, fork ring and forks in hot, soapy water. Rinse thoroughly and dry.

**CAUTION:** Do not wash or immerse the temperature control probe or cord.

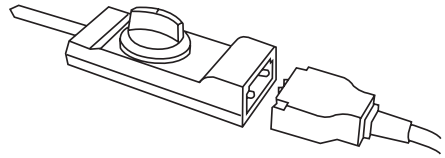
Before using the fondue for the first time, condition the nonstick cooking surface by lightly brushing the cooking surface with vegetable oil. Heat, uncovered, at setting #4 for up to 5 minutes. Turn to OFF and cool completely. Wipe away excess oil.

## INSTRUCTIONS FOR USE

Set fondue pot on a flat, dry, heatresistant surface.

Set temperature control probe to OFF and plug probe into temperature probe receptacle on fondue pot.

Attach magnetic end of cord assembly to the temperature probe socket. This should be done prior to plugging the cord into the wall outlet. The magnetic end of the cord is designed to only connect one way.



Be sure the cord is installed in the socket. Plug cord into 120 Volt AC outlet.

Preheat if necessary.

Turn temperature control dial to desired temperature. indicator light will turn on and then go off when selected temperature is reached. During cooking, the light will cycle on and off to indicate that the temperature is being regulated.

Use the fondue forks to spear foods for cooking or dipping. Be careful not to scratch the nonstick surface when placing forks in fondue pot.

**NOTE:** When ingredients are stirred in the fondue pot, use plastic, nylon or wooden utensils to prevent damage to the nonstick surface.

After cooking or serving, turn temperature control dial to OFF. Unplug cord from wall outlet. After fondue pot has cooled, remove temperature control probe.

## HOW TO USE YOUR FONDUE POT WITH OIL

**CAUTION:** Extreme caution must be used when moving fondue pot containing hot oil or other hot liquids. Cooking with hot oil is not recommended when children are present.

**CAUTION:** Some spattering of oil will occur during cooking.

Be sure fondue pot is completely dry before filling with oil.

When making oil fondue, the temperature of fondue fork when removed from the hot oil is extremely hot. Take care not to eat directly from one of the fondue forks that has been removed from hot oil.

Place fondue pot on a flat, dry, heat-resistant surface.

Attach temperature control probe to the temperature probe receptacle.

Attach magnetic end of cord assembly to the temperature probe socket. This should be done prior to plugging the cord into the wall outlet. The magnetic end of the cord is designed to only connect one way.

fill fondue pot with 3½ cups of vegetable oil.

**NOTE:** Do not use more than 3½ cups oil. Do not use butter, margarine, lard, olive oil or shortening in place of vegetable oil. Never add water or any other liquid to oil.

Place fork ring on top edge of fondue pot. Use to hold fondue forks while cooking oil.

**CAUTION:** Do not use more than 8 fondue forks at one time when cooking in hot oil. The fondue fork may also prevent some of the spattering during cooking.

**NOTE:** Do not place a cover over the fondue pot when heating oil or cooking in oil.

Remove ice crystals or excess water on food before cooking in oil by blotting with a paper towel.

After fondue pot has cooled, turn temperature control dial to OFF. Allow fondue pot and fork ring to cool completely before moving or cleaning.

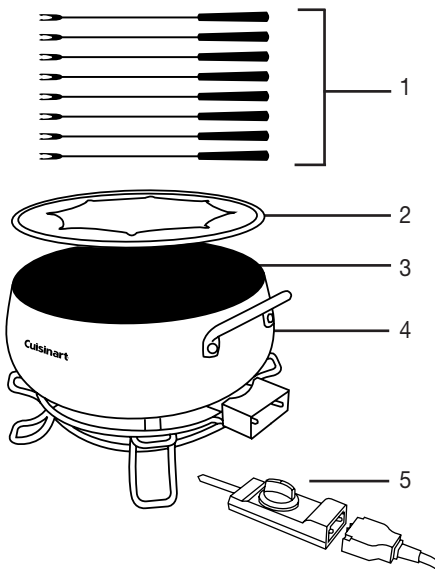
**WARNING:** DO NOT USE THE MAGNETIC POWER CORD SYSTEM TO DISCONNECT THE FONDUE UNIT. ALWAYS DISCONNECT PLUG FROM WALL OUTLET TO

DISCONNECT FONDUE UNIT. Use only the magnetic cord offered with this product. The use of any other magnetic cord may cause fire, electric shock, or injury.

**CAUTION:** The power cord is not to be removed during normal operation. If the plug becomes disconnected, the user should immediately unplug the cord from the wall outlet, then reconnect the magnetic plug to the socket.

## SPECIAL FEATURES

1. Fondue forks  
Eight individual fondue forks
2. Fork ring
3. Fondue bowl  
3-Qt. stainless steel bowl with nonstick interior
4. Brushed stainless steel housing
5. Adjustable temperature control probe
6. BPA-Free (not shown)  
All materials that come in contact with food are BPA-Free



---

## SUGGESTED TEMPERATURES FOR FONDUES

The temperature settings below are suggestions, and may need to be adjusted up or down according to initial temperature of ingredients being cooked, and amount of food being dipped or cooked at any given time.

## FONDUE COOKING/ PREPARATION SERVING/ COOKING

### Chocolate Fondues

Heat cream/liquid until it reaches a slow boil on Setting 4½–5. Reduce temperature to Setting 3½–4 to gradually add chocolate to simmering liquid.

Hold chocolate fondues at Setting 3 for serving.

### Cheese Fondues

Cook finely chopped onions and other aromatic vegetables for flavoring at Setting 5½–6. Increase temperature to Setting 6½ to add liquids and bring to slow boil. Reduce heat to Setting 4½–5 to gradually add shredded cheeses.

Hold cheese fondues for serving at Setting 3.

### Broth Fondues

Sauté finely chopped onions, other aromatic vegetables, and herbs/spices for flavoring the broth at Setting 5–6. Add liquid and bring to a boil at Setting 7. Reduce the heat to Setting 3½ to simmer broth.

Hold broth-based fondues for serving at Setting 3½–4.

### Oil Fondues

Heat oil at Setting 7½ for 10–15 minutes until oil is barely bubbling and tests at 375°F when tested with a candy/deep fry thermometer, or a 1-inch cube of bread is cooked to a golden, toasty brown. If maximum quantities of cold food are added simultaneously, it may be necessary to increase temperature from Setting 7½ to 8.

Adjust temperature setting as needed to maintain oil temperature.

## TIPS & HINTS

When making fondue, use a wine or beer that you would prefer drinking. Taste and flavor are important – if you wouldn't drink it, don't cook with it. The same holds true for liquors and liqueurs. A Sauvignon Blanc or Pinot Grigio is a good choice for making cheese fondue. Champagne or Prosecco is another good choice. Chardonnays and red wines are not recommended for fondue cooking because the taste of chardonnay can be overwhelming and red wine lacks color appeal.

Foods for dipping should not be left at room temperature for longer than 2 hours. For safety, present raw meats, poultry, and seafood in a shallow bowl over a bed of ice to keep properly chilled. Remove any ice crystals or excess water before cooking in fondue pot.

Cook no more than 8 pieces of food at one time to ensure thorough cooking and to prevent splashing.

Dipping foods should be cut into bite-sized pieces. Meats can be cut into cubes or into strips.

Blanch or gently steam vegetables to make them tender for dipping into fondues. This will set the color, and will help them to cook or heat through more quickly. Vegetables such as green beans, broccoli and cauliflower should be crisp to tender. New potatoes should be steamed until tender but still firm. There is no need to precook green onions or bell pepper strips.

Fondue dipping sauces can be served in bowls with ladles so a small amount of sauce can be placed on each dining plate, or individual ramekins can be used for each diner.

To serve fondue at the dining table, set fondue pot in the center of the table on a trivet. It may be a good idea to cover the table with a protector and tablecloth, as there may be dripping.

To serve fondue, give each diner a dinner plate, a fondue fork and a dinner fork along with a large napkin.

Fondue etiquette indicates that the food should not be eaten from the fondue fork, but transferred first to the diner's own fork. Fondue

---

forks are very sharp and also get very hot when in oil or broth. If a dipping sauce gets on a fondue fork, it can “contaminate” the oil or broth, causing a burnt or “off” taste.

Diners should never “double dip” and place the bitten portion of a piece of food back into the communal fondue pot.

### **CHOCOLATE FONDUE**

When preparing chocolate fondue, be sure to use the best chocolate available for optimum flavor.

Chop your own chocolate quickly in the Cuisinart® Food Processor. Place 1-inch or smaller pieces of chilled chocolate in the work bowl fitted with the metal blade and process until finely chopped.

Take care not to allow your chocolate fondues to come to a boil.

If chocolate fondue begins to “break” or separate into chocolate with any liquid that is oily in appearance, the fondue can be rescued by using a Cuisinart® Hand Blender on low speed, directly in the Cuisinart® Electric Fondue Pot. Blend, using a gentle up and down motion, keeping the blender under the top surface of the fondue until it returns to a homogenous mixture.

### **CHEESE FONDUE**

Cut crusty bread for dunking into 1-inch cubes – always include a side of crust on each bread cube. The bread is speared on a fondue fork, and then swirled into the cheese in a “figure eight” type motion to coat. The fork prongs should not ever touch the bottom or sides of the Cuisinart® Electric Fondue Pot – they will scratch the nonstick surface.

Begin cheese fondues by heating wine, beer or other liquid until it reaches a boil.

Then reduce heat to a simmer and slowly add shredded cheeses while stirring until the cheese melts completely.

Take care not to allow cheese fondue to come to a boil.

If cheese fondue begins to “break” or separate into cheese with liquid that is oily in appearance, the fondue can be rescued by using a Cuisinart® Hand Blender on low speed,

directly in the Cuisinart® Electric Fondue Pot. Blend, using a gentle up and down motion, keeping the blender under the top surface of the fondue until it returns to a homogenous mixture.

Do not purchase expensive already grated cheeses. You will have a greater variety and better quality available if you grate your own – use your Cuisinart® Food Processor fitted with the medium (4mm) shredding disc to quickly shred less costly blocks of cheeses.

### **BROTH FONDUE**

When making a broth fondue, use a home-made stock that has been strained, or a purchased stock or broth that is flavorful, but low in sodium – a high-sodium stock will become more concentrated as the evening progresses.

Season broths with fresh ginger, green onions, spices, or fresh herbs for flavorful dipping. Have additional hot stock/broth available to add to the fondue pot as necessary.

### **OIL FONDUE**

For oil fondues, use a flavorless vegetable oil. Heat oil to 375°F using setting 7½. This will take about 10 to 15 minutes – a one-inch cube of bread will fry to golden brown in about 45 seconds when the oil is ready. Use no more than 3½ cups oil.

Season meats for oil fondues after frying – the hot meat will absorb the seasoning and the seasoning will not flavor the oil for other diners.

---

# RECIPES

## **Cheese Fondues**

Classic Cheese Fondue .....	8
Pesto Cheese Fondue.....	8
Cheddar, Onion, Apple & Hard Cider Fondue.....	8
Brie & Mushroom Fondue .....	9
Southwest Salsa Fondue .....	9

## **Meat/Seafood Fondues**

Seafood Bouillabaisse Fondue .....	10
Chicken Stock with Star Anise Fondue .....	10
Scallion & Ginger Scented Beef Broth.....	11
Fried Seafood & Vegetable Fondue .....	11
Deep Fried Turkey & Potato Fondue.....	12

## **Dessert Fondues**

Chocolate Hazelnut Fondue.....	12
Chocolate Bourbon Fondue.....	12
Chocolate Mint Fondue.....	12
Chocolate Raspberry Fondue .....	13
White Chocolate Apricot Fondue.....	13
Warm Berry Fondue .....	13

## **Sauces for Fondues**

Asian Peanut Sauce .....	14
Wasabi Ginger Sauce.....	14
Spinach Dipping Sauce.....	14
Roasted Red Pepper and Sun-dried Tomato Dip.....	15
Olive Tapenade Aioli.....	15
Tzatziki Sauce .....	15
Apricot Mustard.....	16
Cranberry Mustard .....	16
Horseradish Mustard Sauce.....	16

---

## CHEESE FONDUES

### CLASSIC CHEESE FONDUE

Makes 6–8 servings

- 1 pound Gruyère cheese (not processed), grated
- $\frac{3}{4}$  pound Emmenthal cheese, grated
- 6 teaspoons cornstarch
- $1\frac{1}{2}$  teaspoons dry mustard
- 1 clove garlic, peeled, cut in half
- $\frac{2}{4}$  cups dry white wine (not chardonnay)
- $2\frac{1}{2}$  tablespoons Kirschwasser

Place the grated cheeses in a large bowl and toss to combine. Add the cornstarch and dry mustard and toss to coat the grated cheese completely. Reserve.

Rub the bottom and lower half of the sides of Cuisinart® Electric Fondue Pot with the cut sides of the garlic clove. Pour the wine into the fondue pot. Turn the temperature to Setting 5 and bring the wine to a strong simmer (bubbling, but not boiling strongly). While stirring constantly with a wooden spoon or nonstick whisk, gradually whisk in the grated cheeses, sprinkling in one handful at a time; don't add any more cheese until each handful is completely melted and smooth. The mixture will slowly thicken. When all the cheese has been added, stir in the Kirschwasser and serve. Reduce the temperature setting of the fondue pot to Setting 3. The fondue should just simmer; it should never boil.

This fondue is traditionally served with cubes of crusty bread. For a change you may also serve blanched to crisp-tender vegetables or cooked but firm new potatoes.

### PESTO CHEESE FONDUE

Makes 8 servings

- 1 pound part-skim mozzarella cheese (not handmade fresh), shredded
- 8 ounces Italian Fontina, shredded
- 6 ounces provolone, shredded
- 2 tablespoons cornstarch
- 1 tablespoon extra virgin olive oil
- 1 ounce shallot, peeled, chopped
- 1 garlic clove, peeled, chopped
- 2 cups dry white wine (Pinot Grigio)
- 6 tablespoons pesto

(homemade or purchased)

crusty bread cubes for dipping

fresh vegetables for dipping – blanched flowerets of broccoli or cauliflower, sliced carrots, zucchini wedges; raw strips of red or yellow bell peppers

Place cheeses in a large bowl and sprinkle with cornstarch; toss to completely coat. Reserve.

Heat the olive oil in the Cuisinart® Electric Fondue Pot using Setting  $5\frac{1}{2}$  - 6. Cook the chopped shallot and garlic until tender and just golden, about 1 minute. Add the wine and bring to a simmer. Reduce the temperature to Setting  $3\frac{1}{2}$ . Gradually add the cornstarch-coated shredded cheese, one handful at a time, while stirring with a plastic or coated whisk. Add the cheese slowly, allowing it to melt and blend completely before adding more. Do not rush. When cheese has been completely added, stir in the pesto.

Keep the temperature Setting at 3 to serve the fondue. The fondue should just simmer; it should never boil.

Serve with crusty bread cubes and vegetables, if desired.

### CHEDDAR, ONION, APPLE & HARD CIDER FONDUE

Makes 8 servings

- $1\frac{1}{2}$  pounds shredded extra-sharp cheddar cheese
- $2\frac{1}{2}$  tablespoons cornstarch
- $\frac{1}{2}$  teaspoon dry mustard
- 1 tablespoon unsalted butter
- 1 ounce chopped shallot
- $\frac{1}{2}$  cup finely diced tart apple
- $2\frac{1}{2}$  cups hard cider, divided
- Cubes of crusty bread
- Apple wedges (toss in lemon juice to prevent from turning brown)

Place the shredded cheese in a large bowl and sprinkle with the cornstarch and dry mustard; toss to coat.

Heat the butter in the Cuisinart® Electric Fondue Pot using Setting  $3\frac{1}{2}$ . Cook the shallot and apple in the butter until tender and golden, about 3–4 minutes. Add 2 cups of the hard cider and bring to a boil.



---

Reduce the heat to Setting 3–4, and with the cider simmering, gradually add the shredded cheese, a handful at a time, while whisking with a plastic or coated whisk. If mixture seems too thick, whisk in more of the reserved cider as needed. To serve, keep the temperature set at Setting 3.

Serve with crusty bread or wedges of tart apple.

### **BRIE & MUSHROOM FONDUE**

- ¾ ounce mixed dried exotic or porcini mushrooms
- 1 cup boiling water
- 1½ pounds Brie\*
- 3 tablespoons cornstarch
- 1 ounce shallot, peeled
- 6 ounces mushrooms, cleaned and halved
- 1 tablespoon unsalted butter
- 2½ cups dry white wine (Sauvignon Blanc recommended)

Rinse the dried mushrooms and place in a small bowl. Cover with boiling water and let stand 20 minutes, until softened. Drain, squeeze dry, and chop finely. Reserve.

Use a sharp knife or vegetable peeler to remove the rind from the Brie. Cut or tear into 1/2-inch cubes. Toss with cornstarch and refrigerate while preparing the remainder of the recipe.

Insert the metal blade in the Cuisinart® Food Processor. With the machine running, drop the shallot through the small feed tube and process for 5 seconds to chop. Scrape the work bowl and add the mushrooms; pulse until finely chopped, about 20 pulses.

Melt the butter in the Cuisinart® Electric Fondue Pot using Setting 4½–5½. Add the chopped shallots and fresh mushrooms. Stir and cook the mushrooms until they give up their liquid and are lightly browned, about 3–4 minutes. Add the wine and bring to a boil. Reduce the heat to Setting 3½–4½ and gradually stir in the cornstarch-coated Brie bits, a handful at a time, stirring constantly with a plastic or coated whisk. Stir and blend completely before adding the next handful.

When all the cheese has been added, stir in the minced rehydrated mushrooms.

Serve with crusty bread cubes.

\*For ease, cut into wedges and freeze for 30 minutes before starting this recipe.

### **SOUTHWEST SALSA FONDUE**

- ¾ cup prepared salsa
- ¾ pound sharp Cheddar cheese, shredded
- ¾ pounds Monterey Jack Cheese, shredded
- 3 tablespoons cornstarch
- ½ teaspoon ground cumin
- 1 garlic clove, cut in half
- 2 12-oz. bottles Mexican beer, such as Corona, at room temperature
- 3 tablespoons tequila
- cooked southwest chicken sausage in 1-inch pieces, blanched fresh vegetables, corn chips, crusty bread cubes

Put the salsa into a yogurt strainer or sieve lined with a coffee filter and allow to drain until thickened, about 1 hour. Reserve.

Put the shredded cheeses into a large bowl and sprinkle with cornstarch and cumin. Toss the cheese with the cornstarch to coat.

Rub the Cuisinart® Electric Fondue Pot with the cut garlic halves. Pour 2¼ cups of the beer into the fondue pot and heat, using Setting 5, until beer begins to boil. Lower the heat to setting 4½ and gradually add the cheese, one handful at a time, whisking while adding the cheese. Stir the cheese and allow it to melt completely before each addition. When the cheese has completely melted, stir in the drained salsa and tequila. Keep the fondue warm at Setting 3 to serve.

---

## MEAT/SEAFOOD FONDUES

### SEAFOOD BOUILLABAISSÉ FONDUE

Makes 6 to 8 servings

- 1 tablespoon extra virgin olive oil
- 3 garlic cloves, peeled and sliced thinly
- 1 pound fresh mussels, cleaned and bearded\*
- 1 pinch saffron threads
- 2 cups dry white wine or vermouth
- 1 teaspoon kosher salt
- 26 ounces tomato purée
- 3 to 4 large sprigs fresh basil
- 1 cup water
- 1 pound very large shrimp (16–20 count), peeled, deveined, cut in half lengthwise
- 1 pound sea scallops, dried, tough muscle removed
- 1 crusty baguette, about 1 pound, cut into cubes for dunking

Heat oil in the Cuisinart® Electric Fondue Pot on setting 4½. Add the sliced garlic, and cook until lightly browned, about 1 minute. Add mussels, saffron, and wine to pan. Cook, stirring occasionally, until mussels are opened, 3 to 4 minutes. Remove mussels from bowl. Add salt, tomato purée, basil, and water to bowl. Raise the temperature to Setting 6 and bring to a boil. Reduce temperature to Setting 3½, and simmer for 10 minutes. Remove mussels from their shells; discard mussel shells.

Remove basil from sauce. If sauce is too thick, thin with a little water. To serve Seafood Bouillabaisse Fondue, skewer shrimp, scallops, or mussels onto fondue forks and dip into Bouillabaisse Sauce. Cook shrimp and scallops until they are firm but not tough. Cook mussels just to heat through; they are already cooked and will toughen with too much heat. Skewer and dip cubes of crusty baguette in sauce.

Suggested dipping sauce: Olive Tapenade Aioli (recipe on page 15)

\*Fresh mussels should have tightly closed shells when purchased, or those that are slightly opened should close shut when tapped. Store in refrigerator until ready to use. To clean mussels, place in a bowl of cold water with about ¼ cup cornmeal, swirl gently, and let stand for 20 minutes – this will help the mussels to expel

any sandy grit. Remove the “beard” by pulling on the byssal threads that are coming out of the shell. Lift out of the water, leaving the cornmeal and grit in the bottom of the bowl, and dry on several layers of paper towels before cooking.

### CHICKEN STOCK WITH STAR ANISE FONDUE

Makes 6 to 8 servings

- 4½ cups good quality chicken stock or broth + 1 to 2 cups additional warm chicken stock
- ¾ ounce star anise\*
- 1½ pounds boneless, skinless chicken breast
- 8 ounces small white mushrooms, cleaned
- 1 red bell pepper, cored and seeded
- 1 yellow bell pepper, cored and seeded
- 1 small zucchini – or 6 ounces baby zucchini
- ½ pound fresh asparagus or broccoli
- ½ pound edible pod or snow peas, tipped and topped, strings removed
- steamed rice, optional

Combine 4½ cups chicken stock and star anise in Cuisinart® Electric Fondue Pot. Set temperature at Setting 6 and bring to a boil. Reduce to Setting 3½ and simmer for about 10 minutes.

Trim and discard any visible fat and cartilage from the chicken. Cut into one-inch pieces. Using a clean knife and Prep Board, cut peppers into strips about 1½- x ½ inch. Cut zucchini into ½-inch thick rounds.

To serve, skewer pieces of chicken and cook until firm and cooked through in simmering broth. Take care to cook poultry through completely; this will take about 3 minutes. Skewer vegetables and cook to taste. May be served with a bowl of steamed rice for each diner. Add additional warm chicken stock to the fondue pot as needed, to keep the liquid deep enough for dipping and cooking.

Suggested dipping sauces: Asian Peanut Sauce, Wasabi Ginger Sauce (recipe on page 14)

\*Star anise is a star-shaped dark brown pod native to China. It is used in Asian and tropical cuisines, and as a flavoring in baked goods in

many Western cuisines. It can be found in Asian markets, as well as in many grocery stores and specialty food stores.

### **SCALLION & GINGER SCENTED BEEF BROTH**

Makes 6 to 8 servings

- 6 cups good quality beef stock or broth (low sodium) + 2 cups additional hot broth to add as needed
- 3 scallions, cut into 1-inch pieces
- 6 slices fresh ginger, each about the size of a quarter
- 1 to 2 garlic cloves, peeled and halved
- 4 whole peppercorns
- 1 tablespoon low-sodium soy sauce
- 1 tablespoon mirin, rice wine or medium dry sherry
- $\frac{3}{4}$  pound beef tenderloin, thinly sliced
- $\frac{3}{4}$  pound pork tenderloin, thinly sliced
- 8 ounces baby carrots, steamed to crisp-tender
- 6 ounces thinly sliced daikon
- 8 ounces small white mushrooms, cleaned
- 8 ounces firm tofu, cut into bite-sized cubes
- 8 scallions, trimmed to 4-inch lengths
- 4 ounces canned water chestnuts, drained
- steamed rice, optional

Put the beef stock, scallions, ginger, garlic, and peppercorns in the Cuisinart® Electric Fondue Pot. Set temperature at Setting 6 and bring to a boil. Reduce to Setting 3 and simmer for about 20–25 minutes, until broth has taken on the flavors of the ginger and scallions. Stir in the soy sauce and mirin.

Use skewers to dip slices of beef or pork tenderloin and the accompanying vegetables into the stock. May be served with small bowls of hot steamed rice for each diner. Add additional warm beef stock to the fondue pot as needed, to keep the liquid deep enough for dipping and cooking.

Suggested dipping sauces:

Asian Peanut Sauce, Wasabi Ginger Sauce (recipe on page 14)

### **FRIED SEAFOOD & VEGETABLE FONDUE**

Makes 6 to 8 servings

- $\frac{3}{2}$  cups flavorless vegetable oil
- 1 pound large shrimp (21–25 count), peeled (leave on tail) and deveined
- 1 pound dry sea scallops, tough muscle removed
- $\frac{1}{2}$  pound salmon fillet, skinned, cut into 1-inch cubes
- 12 ounces Italian baby eggplant or Japanese eggplant, cut in  $\frac{1}{2}$ -inch rounds
- 1 small zucchini, cut in  $\frac{1}{2}$ -inch rounds
- 24 green beans, cut into 2-inch pieces
- 12 pearl onions, steamed to crisp-tender
- 2 large carrots, peeled, cut into  $\frac{1}{2}$ -inch ovals, steamed to crisp-tender
- 8 ounces new red potatoes, cut into bite-sized wedges and steamed to just tender
- fresh lemon wedges
- fresh basil leaves

Heat oil in Cuisinart® Electric Fondue Pot on Setting 7 $\frac{1}{2}$  until hot and bubbly but not boiling – oil should test at 375°F with a candy/deep fry thermometer for best results.

Skewer seafood and vegetables and fry until golden and crispy. Drain, allow to cool for a few moments, and dip in sauces to serve.

Suggested dipping sauces:

Spinach Dipping Sauce, Roasted Red Pepper & Sun-Dried Tomato Dip, Olive Tapenade Aioli, Tzatziki Sauce. (recipe on page 14 and 15)

---

## **DEEP-FRIED TURKEY & POTATO FONDUE**

Makes 6–8 servings

- 3½ cups flavorless vegetable oil
- 2 pounds boneless, skinless turkey breast, well trimmed
- 1 pound new red potatoes, cut into bite-sized pieces and steamed until just tender kosher salt and freshly ground pepper

Heat oil in Cuisinart® Electric Fondue Pot on Setting 7½ until hot and bubbly but not boiling – oil should test at 375°F with a candy/deep fry thermometer for best results. Cut turkey into cubes, about ¾ inch in size.

Skewer turkey and dip in hot oil to cook. Take care to cook turkey thoroughly – until it is no longer pink in the center – this will take about 3 minutes. Skewer potato wedges and dip into hot oil to cook. When golden and cooked, sprinkle to taste with kosher salt and pepper. Drain turkey cubes and potato wedges and let cool for a few moments before eating. Serve with mustard sauces for dipping.

Suggested dipping sauces:  
Apricot Mustard, Cranberry Mustard,  
Horseradish Mustard Sauce (recipe on page 16)

## **DESSERT FONDUES**

### **CHOCOLATE HAZELNUT FONDUE**

Makes 8 servings

- 1½ cups half-and-half
- 1 cup heavy cream
- 1½ pounds bittersweet or semisweet chocolate, finely chopped
- ¼ cup Frangelico liqueur
- ¼ cup chopped toasted hazelnuts

Pour the half-and-half and heavy cream into the Cuisinart® Electric Fondue Pot. Heat creams using Setting 4½, until the cream is bubbling. Reduce the heat to Setting 3½ and gradually stir the chopped chocolate into the hot cream, ½ cup at a time, whisking while adding with a plastic or nonstick whisk. When the chocolate is completely blended in, add the liqueur.

Keep warm using setting 3. Sprinkle with chopped hazelnuts just before serving.

Dipping suggestions include cookies, biscotti, cubes of vanilla or chocolate cake, dried apricots, brownies, fresh berries, sliced pears, pineapple cubes, and marshmallows.

### **CHOCOLATE BOURBON FONDUE**

Makes 6–8 servings

- 1 cup heavy cream
- 1 cup half-and-half
- 8 ounces unsweetened chocolate, grated
- 8 ounces milk chocolate, grated
- 2 tablespoons instant espresso powder
- 2 to 3 tablespoons Kentucky bourbon

Pour the heavy cream and half-and-half into the Cuisinart® Electric Fondue Pot and bring to a simmer at Setting 4½. When the cream is bubbling lightly, lower heat to setting 4 and add the grated chocolates, about ½ cup at a time, stirring with a plastic or coated whisk until smooth and creamy after each addition. Stir the espresso powder into 2 tablespoons of the bourbon. Stir into the chocolate fondue. Add the remaining bourbon to taste. Reduce the temperature to Setting 3 to serve the fondue.

Dipping suggestions:  
Sliced apricots, strawberries, cherries,  
Clementine sections, dried apricots, pound cake cubes, cookies, biscotti.

### **CHOCOLATE MINT FONDUE**

- 1 cup half-and-half
- 1 cup heavy cream
- 1½ pounds bittersweet chocolate, finely chopped
- ½ pound milk chocolate, finely chopped
- ¼ cup crème de cacao (clear)
- ¼ cup crème de menthe (clear)

Pour the half-and-half and heavy cream into the Cuisinart® Electric Fondue Pot. Heat, using Setting 4½, until the creams are bubbling. Reduce the heat to Setting 3½ and gradually stir the chopped chocolate into the hot cream, ½ cup at a time, whisking while adding with a plastic or nonstick whisk until creamy and smooth after each addition. When the chocolate is completely blended in, add the liqueurs.

---

Keep warm using Setting 3 to serve the fondue. Dipping suggestions include sliced pears, fresh strawberries, cookies, cubes of pound cake, brownies.

### **CHOCOLATE RASPBERRY FONDUE**

Makes 6–8 servings

- 1 12-ounce package frozen raspberries, thawed
- 1½ cups heavy cream
- 1½ pounds bittersweet chocolate, chopped
- 2 to 3 tablespoons Chambord or Kirschwasser

Put the thawed raspberries in the work bowl of a Cuisinart® Food Processor fitted with the metal blade. Process until puréed and smooth, about 30 seconds. Pour the purée into a fine mesh sieve (also called a chinois) and press the liquid through into a bowl. Discard the seeds.

Pour the cream into the Cuisinart® Electric Fondue Pot. Heat using setting 4½, until the cream is bubbling. Gradually stir in the chopped chocolate, ½ cup at a time, whisking with a plastic or nonstick whisk, until completely smooth after each addition.

Measure out ⅓ cup of the raspberry purée and stir into the chocolate. Reserve the remaining purée for another use (or freeze to make Chocolate Raspberry Fondue at a later date). Stir in the liqueur. For serving, keep the fondue warm using Setting 3.

This versatile fondue is good with all fruits that are suitable for dipping. The tartness of the raspberry purée also makes it good for cubes of pound or angel food cake, cookies, brownies, or biscotti.

### **WHITE CHOCOLATE APRICOT FONDUE**

Makes 8 servings

- 1 can (12 ounces) pitted apricots
- 1 tablespoon fresh lemon juice
- 1 cup half-and-half
- 1 cup mascarpone
- 18 ounces white chocolate, chopped (use white chocolate, not coating)
- 3 tablespoons apricot liqueur
- 1 tablespoon Amaretto or Frangelico

Put the apricots in a Cuisinart® Food Processor fitted with the metal blade. Process until smooth and puréed, about 20 seconds. Stir in lemon juice; reserve.

Put the half-and-half and mascarpone in the Cuisinart® Electric Fondue Pot. Heat using Setting 5–6, until bubbling. Reduce the heat to Setting 3½ and stir until the mascarpone is completely incorporated into the cream. Gradually add the white chocolate, ½ cup at a time, whisking it in and stirring until it is completely melted before each addition. Stir in the liqueurs. Reduce the heat to Setting 3 to serve the fondue.

Just before serving, measure out ½ cup of the apricot purée. Drizzle the apricot purée into the fondue and swirl with a knife for a marbled effect.

White Chocolate Apricot Fondue is very sweet. It is best served with tart fruits such as pineapple, fresh apricots, Clementine sections, or kiwi chunks. It is also good with chocolate biscotti.

### **WARM BERRY FONDUE**

Makes 8 servings

- 5 to 6 cups mixed fresh (can use frozen) berries (strawberries, blueberries, raspberries, blackberries)
- ½ cup sparkling wine
- 4 tablespoons cornstarch + 2 tablespoons water, stirred until smooth
- ⅓ cup liqueur (a fruit or nut flavored liqueur is a good choice)

Reserve about one quarter to one half cup of the fresh berries. Purée the remaining berries in a Cuisinart® Food Processor until smooth. Pour into a fine mesh sieve (also called a chinois), and press out the liquid. Discard the seeds.

Pour the seeded berry purée and sparkling wine into a Cuisinart 3½ quart saucepan and heat over medium heat, stirring frequently until it is bubbling gently; cook for 4–5 minutes. Stir in the cornstarch mixture and cook until the mixture thickens and the milky appearance has cooked away. Transfer to the Cuisinart® Electric Fondue Pot and stir in the liqueur. Keep warm at Setting 3 to serve the fondue.

Warm Berry Fondue is good served with cubes of lemon pound cake, chocolate angel food cake, bites of brownies, sliced bananas, sliced apricots or peaches, or cookies.

---

## SAUCES FOR FONDUES

### ASIAN PEANUT SAUCE

Makes about 1¾ cups

- 4 slices peeled fresh ginger, each ¼<sub>16</sub>-inch thick
- 3 garlic cloves, peeled
- ½ cup fat-free, low-sodium chicken stock/broth
- ⅓ cup low-sodium soy sauce or tamari
- ¼ cup Asian sesame oil (toasted dark sesame oil)
- 2 tablespoons rice vinegar
- 1 to 2 tablespoons fresh cilantro leaves
- 5 teaspoons sugar
- ½ cup peanut butter (creamy or smooth), from a jar
- 2 to 4 drops Asian chili oil (to taste)

Put the ginger and garlic in the work bowl of a Cuisinart® Food Processor. Pulse 10 times to chop; scrape work bowl. Add the next 7 ingredients in the order listed. Process 20 to 30 seconds. Add chili oil to taste; process 5 seconds. May be used immediately, or refrigerated up to 5 days. Allow chilled dressing to return to room temperature before using.

### WASABI GINGER SAUCE

Makes about 2 cups

Use this versatile sauce as a dipping sauce for potstickers, dumplings or Mongolian Hot Pot, or as a marinade for meats and seafood or dressing for salads.

- ½ ounce fresh ginger, peeled, cut into ½-inch or smaller pieces
- 1 small shallot (½ ounce), peeled, cut into ½-inch or smaller pieces
- 1 garlic clove, peeled
- ¾ cup mirin or rice wine\*
- ¾ cup low-sodium soy or tamari sauce
- ¼ cup seasoned rice or wine vinegar
- 2 tablespoons dark molasses
- 1½ tablespoons prepared wasabi paste\*
- 1 tablespoon brown sugar, packed
- 1 tablespoon Asian sesame oil (toasted sesame oil)

- 1½ teaspoons powdered ginger
- ½ teaspoon freshly ground black pepper

Put ginger, shallot and garlic in blender jar; cover blender jar. Set on Low; pulse 5 times. Scrape sides of jar; pulse 5 times. Add remaining ingredients in order given. Blend for 20 seconds. Transfer to a resealable container and let stand for 30 minutes before using, to allow flavors to develop. Unused portions may be refrigerated for up to a week – stir before using.

\* Available in Asian markets or gourmet/ethnic foods section of grocery stores.

Tip: As a marinade, use about 1 tablespoon of marinade per portion. Meats such as boneless, skinless chicken parts, pork chops, or steaks, may be placed in a resealable freezer weight bag, coated with marinade and frozen. When thawed, they will be fully marinated and ready to cook.

### SPINACH DIPPING SAUCE

Makes 1½ cups

Preparation: 10 minutes, plus overnight to drain the yogurt.

- 1 cup non-fat plain yogurt (without gelatin)
  - 1 10-ounce package frozen chopped spinach, thawed
  - ½ ounce Parmesan Reggiano cheese, cut in ½-inch pieces
  - 1 to 2 cloves garlic, peeled
  - 8 chives, cut into 1-inch lengths
  - ½ cup well-packed flat parsley leaves
  - ¼ cup extra virgin olive oil
  - 4 to 6 drops Tabasco® or other hot sauce
  - 3 to 4 tablespoons water (or to taste)
- Use a yogurt strainer or line a strainer with a coffee filter or cheesecloth to strain the yogurt overnight to remove the whey. The yogurt will thicken and lose about half its volume – discard the whey. Place the thawed spinach in a clean tea towel (use a dark or old towel; it will stain), and squeeze dry and reserve.

Insert the metal blade in a Cuisinart® Food Processor. With the machine running, drop the cheese and garlic through the small feed tube; process 15–20 seconds to chop. Add the chives, parsley, drained yogurt and spinach; process to combine, 45 seconds. Scrape the work bowl. With the machine running, add the

---

olive oil through the small feed tube in a steady stream. Scrape the work bowl. Add the hot sauce, then the water and process to blend, about 20 to 30 seconds. The sauce will be thick; if you wish a thinner sauce, add more water a little at a time.

Use the sauce for steamed vegetables or to spread on steamed chicken or seafood.

### **ROASTED RED PEPPER AND SUN-DRIED TOMATO DIP**

Makes  $\frac{3}{4}$  cup

- 1 garlic clove, peeled
- $\frac{1}{2}$  teaspoon basil
- 1 large roasted red pepper (may be from a jar; drain), cut into 1-inch pieces
- 4 oil-packed sun-dried tomatoes, drained of excess oil
- 1 teaspoon balsamic vinegar
- 2 ounces lowfat cream cheese, cut into  $\frac{1}{2}$ -inch pieces
- 2 tablespoons lowfat sour cream

Insert the blade (sharp side) into a Cuisinart® Chopper Grinder prep bowl. Put the garlic and basil in the Prep Bowl; set on Speed 4 and pulse 10 times to chop. Scrape the Prep Bowl. Add the roasted red pepper, sun-dried tomatoes and balsamic vinegar; process to chop, 10 seconds. Let blade stop, then process for 10 seconds. Add the cream cheese and sour cream.

Pulse to combine, 10 times, then process until smooth, 10 to 15 seconds. Scrape prep bowl and process for 10 seconds longer. Transfer to a bowl, cover tightly and refrigerate at least 30 minutes before serving, to allow flavors to blend. May be covered and refrigerated for up to 5 days.

### **OLIVE TAPENADE AIOLI**

- 1 garlic clove, peeled
- 12 pitted kalamata olives (drained if in brine)
- 1 teaspoon fresh lemon juice
- 1 teaspoon drained capers
- $\frac{1}{2}$  teaspoon anchovy paste
- $\frac{1}{2}$  teaspoon Dijon-style mustard
- $\frac{1}{2}$  teaspoon herbes de Provence
- $\frac{1}{3}$  cup reduced-fat mayonnaise

Put the garlic in the work bowl of a Cuisinart® MiniPrep® Food Processor or Mini-Prep® Plus Food Processor and pulse 5 times to chop. Scrape the work bowl. Add the olives, lemon juice, capers, anchovy paste, mustard, and herbes de Provence. Pulse to chop, 5 times, then process until a paste is formed, about 30 seconds, scraping the sides of the work bowl as necessary. Add the mayonnaise and pulse to mix in. The Olive Tapenade Aioli may be made a day ahead. Keep refrigerated until ready to use.

### **TZATZIKI SAUCE**

Makes about 2 cup

- 1 quart fat-free or regular plain yogurt, drained\* (or 2 cups Greek yogurt)
- 1 small cucumber (preferably English hothouse)
- 1 garlic clove, peeled
- $1\frac{1}{2}$  tablespoons dill weed
- $1\frac{1}{2}$  tablespoons mint leaves
- $\frac{1}{2}$  tablespoon fresh oregano leaves
- 1 tablespoons lemon juice

$\frac{1}{4}$  to  $\frac{1}{2}$  kosher salt

1 to 2 pinches freshly grounded black pepper

Insert medium (4mm) shredding disc in a Cuisinart® Food Processor. Trim cucumber to fit large feed tube, but do not peel. Use medium pressure to shred. Remove and reserve.

Insert the metal blade into the food processor. Put garlic, dill, mint, and oregano in work bowl and process to chop, 5 seconds. Scrape work bowl and add drained yogurt; process to blend, 10 seconds. Scrape work bowl. Add shredded cucumber and lemon juice; pulse to blend, 5 to 10 times. Season to taste with salt and pepper. Cover and refrigerate sauce for 30 minutes or longer to allow flavors to blend.

\*To drain yogurt:

Put yogurt in a yogurt strainer or a mesh strainer lined with a coffee filter. Place over a bowl and allow whey to drain from yogurt until yogurt is thickened. Discard whey. Refrigerate yogurt and use as a spread or to make sauces.

---

### **APRICOT MUSTARD**

Makes  $\frac{2}{3}$  cup

- $\frac{1}{3}$  cup good quality apricot preserves
- $\frac{1}{3}$  cup Dijon-style mustard, smooth or grainy

Put apricot preserves and Dijon-style mustard in the work bowl of a Cuisinart® Mini-Prep® Chopper and process on Chop until smooth and homogenous.

### **CRANBERRY MUSTARD**

Makes  $\frac{2}{3}$  cup

- $\frac{1}{3}$  cup good quality whole berry cranberry sauce
- $\frac{1}{3}$  cup Dijon-style mustard, smooth

Put cranberry sauce and Dijon-style mustard in the work bowl of a Cuisinart® Mini-Prep® Chopper and process on Chop until smooth and homogenous.

### **HORSERADISH MUSTARD SAUCE**

Makes about  $\frac{2}{3}$  cup

- $\frac{1}{2}$  cup Dijon-style mustard
- 2 tablespoons prepared horseradish
- 1 tablespoon honey

Put mustard, horseradish, and honey in work bowl of a Cuisinart® Mini-Prep® Chopper and process on Chop until smooth and homogenous.

## **CLEANING AND MAINTENANCE**

**WARNING: ALWAYS TURN TEMPERATURE CONTROL PROBE TO OFF; THEN DISCONNECT PLUG FROM WALL OUTLET BEFORE DISCONNECTING THE CORD.**

### **CAUTION:**

Do not immerse magnetic cord or temperature control probe in water or any liquid.

Do not attempt to defeat the detachable magnetic system by trying to permanently attach cord set to product.

Do not stick pins or other sharp objects in holes on magnetic cord set.

Do not use any type of steel wool to clean magnetic contacts.

Turn temperature control probe dial to OFF. After fondue pot and oil have cooled, unplug cord from wall outlet. Remove the temperature control probe and magnetic cord from the unit before cleaning. Do not add cold water or immerse pot in water when hot. **CAUTION:** Do not immerse temperature control probe or cord set in water or other liquids. Wipe with a damp cloth and dry.

Thoroughly wash fondue pot and fork ring in hot, soapy water or in an automatic dishwasher. Rinse thoroughly and dry. To remove stubborn stains, use a nonabrasive cleaner or a nonmetal cleaning pad. **CAUTION:** Do not use metal scouring pads or harsh scouring powders.

Wash fondue forks in hot, soapy water or in an automatic dishwasher. Rinse and dry thoroughly.

In time, the nonstick surface may discolor. This is normal and will not seriously alter the release properties; to remove any discoloration, use a cleaner for nonstick finishes such as a nonstick appliance cleaner. Pour cleaner into pot. Allow to boil for 1 minute. Cool. Rinse with clean water. **NOTE:** Recondition nonstick surface before using again.

Any other servicing should be performed by an authorized service representative.



---

# WARRANTY

## Limited 3-YEAR WARRANTY

This warranty is available to consumers only. You are a consumer if you own a Cuisinart® Electric Fondue Pot that was purchased at retail for personal, family or household use. Except as otherwise required under applicable law, this warranty is not available to retailers or other commercial purchasers or owners.

We warrant that your Cuisinart® Electric Fondue Pot will be free of defects in materials and workmanship under normal home use for 3 years from the date of original purchase.

We recommend that you visit our website, [www.cuisinart.com](http://www.cuisinart.com) for a fast, efficient way to complete your product registration. However, product registration does not eliminate the need for the consumer to maintain the original proof of purchase in order to obtain the warranty benefits. In the event that you do not have proof of purchase date, the purchase date for purposes of this warranty will be the date of manufacture.

If your Cuisinart® Electric Fondue Pot should prove to be defective within the warranty period, we will repair it, or if we think necessary, replace it. To obtain warranty service, simply call our toll-free number 1-800-726-0190 for additional information from our Customer Service Representatives, or send the defective product to Customer Service at Cuisinart, 7475 North Glen Harbor Blvd., Glendale, AZ 85307.

To facilitate the speed and accuracy of your return, please enclose \$10.00 for shipping and handling of the product.

Please pay by check or money order (California residents need only supply proof of purchase and should call 1-800-726-0190 for shipping instructions).

**NOTE:** For added protection and secure handling of any Cuisinart® product that is being returned, we recommend you use a traceable, insured delivery service. Cuisinart cannot be held responsible for in-transit damage or for packages that are not delivered to us. Lost and/or damaged products are not covered under warranty. Please be sure to include your return address, daytime phone number, description of the product defect, product model

number (located on bottom of product), original date of purchase, and any other information pertinent to the product's return.

### CALIFORNIA RESIDENTS ONLY:

California law provides that for In-Warranty Service, California residents have the option of returning a nonconforming product (A) to the store where it was purchased or (B) to another retail store which sells Cuisinart products of the same type.

The retail store shall then, at its discretion, either repair the product, refer the consumer to an independent repair facility, replace the product, or refund the purchase price less the amount directly attributable to the consumer's prior usage of the product. If the above two options do not result in the appropriate relief to the consumer, the consumer may then take the product to an independent repair facility if service or repair can be economically accomplished. Cuisinart and not the consumer will be responsible for the reasonable cost of such service, repair, replacement, or refund for nonconforming products under warranty.

California residents may also, according to their preference, return nonconforming products directly to Cuisinart for repair, or if necessary, replacement, by calling our Consumer Service Center toll-free at 1-800-726-0190.

Cuisinart will be responsible for the cost of the repair, replacement, and shipping and handling for such products under warranty.

### BEFORE RETURNING YOUR CUISINART® PRODUCT

If you are experiencing problems with your Cuisinart® product, we suggest that you call our Cuisinart® Service Center at 1-800-726-0190 before returning the product for service. If servicing is needed, a Representative can confirm whether the product is under warranty and direct you to the nearest service location.

Your Cuisinart® Electric Fondue Pot has been manufactured to the strictest specifications and has been designed for use only in 120-volt outlets and only with authorized accessories and replacement parts. This warranty expressly excludes any defects or damages caused by attempted use of this unit with a converter, as well as by use with accessories, replacement parts or

---

repair service other than those authorized by Cuisinart. This warranty does not cover any damage caused by accident, misuse, shipment or other than ordinary household use. This warranty excludes all incidental or consequential damages. Some states do not allow the exclusion or limitation of these damages, so these exclusions may not apply to you. You may also have other rights, which vary from state to state.

**Important:** If the nonconforming product is to be serviced by someone other than Cuisinart's Authorized Service Center, please remind the servicer to call our Consumer Service Center at 1-800-726-0190 to ensure that the problem is properly diagnosed, the product is serviced with the correct parts, and the product is still under warranty.

©2013 Cuisinart  
150 Milford Road  
East Windsor, NJ 08520

Printed in China

13CE144374

Trademarks or service marks referred to herein are the trademarks or service marks of their respective owners.

F IB-4887-ESP

F IB-4887-ESP

13CE144334

Impreso en la China

©2013 Cuisinart  
150 Millford Road  
East Windsor, NJ 08520

Todas marcas registradas o marcas de comercio  
mencionadas en esta pertenecen a sus titulares respectivos.

Los residentes de California también pueden, si lo desean, mandar el aparato defectuoso directamente a Cuisinart para que lo reparen o lo cambien. Para esto, se debe llamar a nuestro servicio posventa al 1-800-726-0190. Cuisinart será responsable por los gastos de reparación, reemplazo, manejo y envío de los productos defectuosos durante el periodo de garantía.

## ANTES DE HACER REPARAR SU APARATO

**Importante:** Si debe llevar el aparato defectuoso a un centro de servicio no autorizado, por favor informe al personal del centro de servicio que deberán llamar al servicio posventa de Cuisinart® al 1-800-726-0190 a fin de diagnosticar el problema correctamente, usar las partes correctas para repararlo y asegurarse de que el producto esté bajo garantía.

Si su aparato tiene algún problema, le recomendamos que llame a nuestro servicio posventa al 1-800-726-0190 antes de regresar el aparato a Cuisinart. Un representante le confirmará si su aparato sigue bajo garantía y le indicará la dirección del centro de servicio más cercano. Este aparato satisface las más altas exigencias de fabricación y ha sido diseñado para uso sobre corriente de 120V, usando accesorios y partes de repuesto autorizados solamente. Esta garantía excluye expresamente los daños causados por accesorios, partes o reparaciones no autorizados por Cuisinart, así como los daños causados por el uso de un convertidor de voltaje. Esta garantía no cubre el uso institucional o comercial del producto, y no es válida en caso de daños causados por mal uso, negligencia o accidente. Esta garantía excluye expresamente todos los daños incidentales o consecuentes. Algunos Estados no permiten la exclusión o limitación de daños incidentales o consecuentes, de modo que las limitaciones mencionadas pueden no regir para usted. Usted puede tener otros derechos que varían de un Estado a otro.

recibo de compra, el periodo de garantía será calculado a partir de la fecha de fabricación.

Si este aparato presentara algún defecto de materiales o fabricación durante el periodo de garantía, la repararemos o reemplazaremos (a nuestra opción). Para obtener servicio bajo esta garantía, llame a nuestra línea directa gratuita al 1-800-726-0190 o regrese el aparato defectuoso a: Cuisinart, Service Department, 7475 North Glen Harbor Blvd. Regrese el aparato defectuoso, junto con su recibo de compra y un cheque o giro postal de US\$10.00 por gastos de manejo y envío. Los residentes de California sólo necesitan dar una prueba de compra y deben llamar al 1-800-726-0190 para recibir instrucciones de envío.

**NOTA:** Para mayor seguridad, le aconsejamos que mande su paquete por un método de entrega con seguro y seguimiento. Cuisinart no será responsable por los daños ocurridos durante el transporte o por los paquetes mandados a una dirección equivocada. Los productos perdidos y/o lastimados durante el envío no serán cubiertos bajo esta garantía. Recuerde incluir su nombre, dirección y teléfono, la descripción del problema, así como cualquier información pertinente.

**RESIDENTES DE CALIFORNIA SOLAMENTE**

La ley del estado de California ofrece dos opciones bajo el periodo de garantía. Los residentes del estado de California pueden (A) regresar el producto defectuoso a la tienda donde lo compraron o (B) a otra tienda que venda productos Cuisinart® de este tipo.

La tienda, a su opción, reparará el producto, referirá el consumidor a un centro de servicio independiente, cambiará el producto o reemplazará el consumidor por el precio original del producto, menos la cantidad imputable al uso del producto por el consumidor hasta que éste se dañe. Si estas dos opciones no satisficieren al consumidor, podrá llevar el producto a un centro de servicio independiente, siempre que se pueda ajustar o reparar el producto de manera económica. Cuisinart será responsable por los gastos de servicio, reparación, reemplazo o reembolso de los productos defectuosos durante el periodo de garantía.

**PRECAUCIÓN:** No sumerja el termostato/sonda de temperatura, el cable, el enchufe o el conector magnético en agua u otro líquido. Limpie el cuerpo del aparato con un paño ligeramente húmedo, y luego séquelo bien.

Lave la olla y el aro en agua jabonosa caliente o en el lavavajillas después de cada uso. Enjuague y seque bien. Para eliminar las manchas tenaces, utilice un detergente no abrasivo o un estropajo sintético.

**PRECAUCIÓN:** No utilice estropajos metálicos o limpiadores en polvos.

Lave los tenedores para fondue en agua jabonosa caliente o en el lavavajillas después de cada uso. Enjuague y seque bien.

Puede que el revestimiento antiahérente de la olla cambie de color con el tiempo. Esto es normal y no afectará sus propiedades antiahérentes. Para eliminar la decoloración, utilice un limpiador para revestimientos antiahérentes. Eche el limpiador en la olla. Deje hervir durante aproximadamente 1 minuto. Deje enfriar. Enjuague con agua.

**NOTA:** Engrase el revestimiento antiahérente antes de volver a usar el aparato.

Cualquier otro servicio debe ser realizado por un técnico autorizado.

**GARANTÍA**

**3 AÑOS**

Esta garantía es para los consumidores solamente. Usted es un consumidor si ha comprado su aparato Cuisinart® en una tienda, para uso personal o casero. A excepción de los estados donde la ley lo permita, esta garantía no es para los detallistas u otros comerciantes.

Cuisinart garantiza este aparato contra todo defecto de materiales o fabricación durante 3 años después de la fecha de compra original, siempre que el aparato haya sido utilizado para uso doméstico y según las instrucciones.

Le aconsejamos que llene el formulario de registro disponible en [www.cuisinart.com](http://www.cuisinart.com) a fin de facilitar la verificación de la fecha de compra original. Sin embargo, registrar el producto no es necesario para recibir el servicio bajo esta garantía. En ausencia de

**SALSA TZATZIKI**

Cantidad: 2 tazas (475 ml)

1 cuarto de galón (1 L) de yogur natural  
regular o sin grasa\* (o 2 tazas/475 ml)

de yogur griego

1 pepino pequeño

1 diente de ajo

1½ cucharada de eneldo

1½ cucharada de menta fresca

½ cucharada de orégano fresco

1 cucharada de jugo de limón fresco

¼-½ cucharadita de sal kosher

1-2 pizcas de pimienta negra recién molida

Instalar un disco rallador medio (4 mm) en una

procesadora de alimentos Cuisinart. Cortar

el pepino en pedazos que quepan en la boca

de llenado grande. No pelarlo. Rallar, usando

presión moderada. Reservar.

Instalar la cuchilla armadora en la

procesadora de alimentos. Colocar el ajo, el

eneldo, la menta y el orégano en el bol. Pulsar

5 veces. Raspar el bol y procesar durante 10

segundos adicionales. Raspar el bol. Agregar el

pepino y el jugo de limón. Pulsar 5-10 veces.

Sazonar con sal y pimienta. Cubrir y refrigerar

durante 30 minutos o más antes de servir para

combinar los sabores.

\*Para escurrir el yogur:

Colocar el yogur en un colador de tela o un

colador regular forrado con filtro de café.

Colocar encima de un tazón y dejar escurrir el

suero hasta que el yogur esté espeso. Tirar el

suero. Refrigerar hasta el momento de usar.

Usar como crema para untar o salsa.

**SALSA DE MOSTAZA CON ALBARICOQUE**

Cantidad: ¾ taza (160 ml)

¾ taza (175 g) de mermelada de

albaricoque/chabacano/damasco de

buena calidad

¾ taza (80 ml) de mostaza de Dijon

Colocar la mermelada y la mostaza en el bol de una mini procesadora de alimentos Mini-Prep® de Cuisinart® y procesar hasta obtener una mezcla suave.

**SALSA DE MOSTAZA CON ARÁNDANOS**

Cantidad: ¾ taza (160 ml)

¾ taza (80 ml) de salsa de arándanos

agrios de buena calidad

¾ taza (80 ml) de mostaza de Dijon

Colocar la mermelada y la mostaza en el bol de una mini procesadora de alimentos Mini-Prep® de Cuisinart® y procesar hasta obtener una mezcla suave.

**SALSA DE MOSTAZA CON RÁBANO PICANTE**

Cantidad: ¾ taza (160 ml)

1/2 taza (120 ml) de mostaza de Dijon

2 cucharadas de salsa de rábano picante

1 cucharada de miel

Colocar la mostaza, la salsa de rábano picante y la miel en el bol de una mini procesadora de alimentos Mini-Prep® de Cuisinart® y procesar hasta obtener una mezcla suave.

**LIMPIEZA Y****MANTENIMIENTO****ADVERTENCIA: SIEMPRE APAGUE (OFF) Y****CORRIENTE ANTES DE DESCONECTAR EL****TERMOSTATO/SONDA DE TEMPERATURA.****PRECAUCIÓN:**

No sumerja el cable, el enchufe, el conector

magnético o el termostato/sonda de

temperatura en agua u otro líquido.

No intente sujetar el conector magnético al

aparato de forma permanente.

No introduzca alfileres u otros objetos

puntagudos en los orificios del conector

magnético.

No utilice esponjas metálicas para limpiar los

contactos magnéticos.

Ponga la perilla de temperatura sobre "OFF".

Permita que la olla enfríe y desconecte el

cable de la toma de corriente. Desconecte

el termostato/sonda de temperatura y el

conector magnético antes de limpiar el aparato.

No agregue agua fría a la olla ni sumerja la

olla en agua fría mientras esté caliente.

**SALSA DE ESPINACA**

Cantidad: 1 ½ taza (355 ml)

Preparación: 10 minutos + 12 horas para colar el yogur

- 2 onzas (55 g) de queso crema bajo en grasa, en pedazos
- 2 cucharadas de crema agria baja en grasa

Instalar el accesorio picador en el bol de una picadora/moladora Cuisinart®. Poner el ajo y la albahaca en el bol y pulsar 10 veces, usando la velocidad 4. Raspar el bol. Agregar el pimiento asado, los tomates secados al sol y el vinagre balsámico. Procesar durante 10 segundos. Esperar hasta que la cuchilla esté inmóvil y procesar durante 10 segundos adicionales. Agregar el queso crema y la crema agria. Pulsar 10 veces, y luego procesar durante 10-15 segundos, hasta conseguir una mezcla homogénea. Raspar el bol y licuar durante 10 segundos más. Poner en un tazón, cubrir y refrigerar durante 30 minutos antes de servir para combinar los sabores. Conservar en el refrigerador durante hasta 5 días.

**ALIOILI AL ESTILO "TAPENADE"**

- 1 diente de ajo
- 12 aceitunas Kalamata deshuesadas y escurridas
- 1 cucharadita de jugo de limón fresco
- 1 cucharada de alcáparras, escurridas
- ½ cucharadita de pasta de anchoa
- ½ cucharadita de mostaza de Dijon
- ½ cucharadita de hierbas de Provençe
- ¼ taza (80 ml) de mayonesa baja en grasa

Colocar el ajo en el bol de una mini-procesadora de alimentos Mini-Frep® o Mini-Frep® Plus de Cuisinart®. Pulsar 5 veces. Raspar el bol. Agregar las aceitunas, el jugo de limón, las alcáparras, la pasta de anchoa, la mostaza y las hierbas de Provençe. Pulsar 5 veces, y luego procesar continuamente durante 30 segundos. Raspar el bol. Agregar la mayonesa y pulsar para combinar. El alioili al estilo "tapenade" puede prepararse el día anterior. Refrigerar hasta el momento de usar.

- 1 taza (235 ml) de yogur natural
- 10 onzas (300 g) de espinaca congelada, descongelada
- ½ onza (15 g) de queso Reggiano Parmesano, en cubos
- 1-2 dientes de ajo
- 8 cebollinos ("chives"), en trozos
- ½ taza (30 g) de perejil fresco
- ¼ taza (60 ml) de aceite de oliva virgen extra
- 4-6 gotas de Tabasco® u otra salsa picante
- 3-4 cucharadas de agua

Colocar el yogur en un colador forrado con un filtro de café de papel y dejar escurrir el suero durante 8 horas. Después de unas 12 horas, el yogur estará aproximadamente a la mitad de su volumen. Tirar el suero. Colocar la espinaca en una toalla limpia (usar una toalla oscura) y exprimir el líquido. Reservar.

Instalar una cuchilla de metal en una procesadora de alimentos Cuisinart®. Encender la máquina y echar el queso el ajo y el cholate en la boca de llenado. Procesar durante 15-20 segundos para picar. Agregar los cebollinos, el perejil, el yogur y la espinaca y procesar durante aproximadamente 45 segundos para combinar. Raspar el bol. Encender la máquina y agregar lentamente el aceite de oliva por la abertura en la boca de llenado. Raspar el bol. Agregar la salsa picante y el agua, y procesar durante 20-30 segundos. La salsa será espesa. Si desea una salsa más líquida, agregar más agua, poco a poco.

Servir con vegetales, pollo o mariscos al vapor.

**SALSA DE PIMIENTOS ROJOS ASADOS Y TOMATES SECADOS AL SOL**

Cantidad: ¾ taza (175 ml)

- 1 diente de ajo
- 1 cucharadita de albahaca
- 1 pimiento rojo asado, en pedazos
- 4 tomates secados al sol en aceite, escurridos
- 1 cucharadita de vinagre balsámico

**FONDUE DE FRUTAS DEL BOSQUE**

Cantidad: 8 porciones

5-6 tazas (750-900 g) de frutas del bosque congeladas (fresas, arándanos azules, 1/2 taza (120 ml) de vino espumante

4 cucharadas (30 g) de macedina revueltas

en 2 cucharadas (30 ml) de agua

1/3 taza (80 ml) de licor de fruta o nuez

Reservar 1/4-1/2 de las frutas del bosque.

Procesar el resto de las frutas en una

procesadora de alimentos Cuisinart®. Colar el

puré en un colador de malla fina, presionando

la mezcla a través del colador. Tirar las

semillas.

Colocar el puré y el vino espumante en una

cacerola mediana y cocer a fuego medio

durante 4-5 minutos, revolviendo a menudo,

hasta que la mezcla empiece a bullir. Agregar la

mezcla de macedina y cocer hasta que la mezcla

se vuelva espesa. Colocar la mezcla en la olla y

agregar el licor. Ajustar la temperatura al nivel 3

para servir.

Servir con bizcocho, pastel de ángel de

chocolate, brownies, banano, albaricoques,

duraznos o galletas.

**SALSAS PARA FONDUE****SALSA DE MANÍ ASIÁTICA**

Cantidad: 1 1/3 taza (415 ml)

4 rodajas finas de jengibre fresco pelado

3 dientes de ajo

1/2 taza (120 ml) de caldo de pollo sin grasa

y bajo en sodio

1/3 taza (80 ml) de salsa de soja o salsa

Tamarí baja en sodio

1/4 taza (60 ml) de aceite de sésamo

1/2 taza (60 ml) de aceite de sésamo

2 cucharadas de vinagre de arroz

1-2 cucharadas de cilantro fresco

5 cucharadas de azúcar

1/2 taza (230 g) de mantequilla de maní

2-4 gotas de aceite de chile asiático

Colocar el jengibre en el tazón de una

procesadora de alimentos Cuisinart®. Pulsar 10

veces para picar. Raspar el tazón. Agregar los

7 ingredientes siguientes, en el orden indicado.

Procesar durante 20-30 segundos. Agregar el

aceite de chile y procesar durante 5 segundos

adicionales. Usar inmediatamente o refrigerar

hasta el momento de usar, durante hasta 5

días. Sacar del refrigerador 30 minutos antes

de usar.

**SALSA DE JENGIBRE Y WASABI**

Cantidad: 2 tazas (475 ml)

Esta salsa versátil es ideal para servir con

empanadas, want-tans o pollo mongoliano.

También puede usarse para marinar carne y

marscos o como aliño para ensaladas.

1/2 onza (15 g) de jengibre fresco, pelado y

cortado en rodajas

1 chalote pequeño, en rodajas

1 diente de ajo

3/4 taza (175 ml) de mirín o vino de arroz\*

3/4 taza (175 ml) de salsa de soja o salsa

Tamarí baja en sodio

1/4 taza (60 ml) de vinagre de vino o vinagre

de arroz

2 cucharadas de melaza oscura

1/2 cucharada de Wasabi\*

1 cucharada llena de azúcar moreno

1 cucharada de aceite de sésamo tostado

1/2 cucharadita de jengibre en polvo

1/2 cucharadita de pimienta negra recién

molido

Colocar el jengibre, el chalote y el ajo en

la jarra de una licuadora. Cubrir. Pulsar 5

veces, a velocidad baja. Raspar la jarra y

pulsar 5 veces más. Agregar el resto de los

ingredientes, en el orden indicado. Licuar

durante 20 segundos. Colocar en un recipiente

hermético y dejar reposar durante 30 minutos

para combinar los sabores. Conservar en

el refrigerador durante hasta una semana -

revolver antes de usar.

\*Disponble en las tiendas asiáticas, las tiendas

especializadas, y la sección étnica de algunos

supermercados.

Consejo: Como marinada, utilizar

aproximadamente 1 cucharada por porción.

Combinar con la carne (presas de pollo

deshuesado, chuletas de cerdo, bístec) y la

marinada en una bolsa hermética y congelar.

Descongelar antes de cocer.

**FONDUE DE CHOCOLATE CON ALBARICOQUE**

Cantidad: 8 porciones

- 1 lata de 12 onzas (360 g) de albaricoques/chabacanos/damascos
- 1 cucharada de jugo de limón fresco
- 1 taza (235 ml) de crema líquida "half-and-half" (mitad leche/mitad crema)
- 1 taza (225 g) de queso Mascarpone
- 18 onzas (540 g) de chocolate blanco, picado
- 3 cucharadas de mermelada de albaricoque/chabacano/damasco
- 1 cucharada de Amaretto o Frangélico

¼ taza (60 ml) de crema de menta (sin colorante)

**FONDUE DE CHOCOLATE CON BOURBON**

Cantidad: 6-8 porciones

- 12 onzas (340 g) de frambuesas congeladas, descongeladas
- 1 ½ taza (355 ml) de crema líquida para batir ("heavy cream")
- 1 ½ libra (680 g) de chocolate semi-amarargo ("bittersweet"), picado
- 2-3 cucharadas de Chambord o Kirschwasser

Colocar la crema líquida y la crema líquida para batir en la olla. Calentar, usando el ajuste 4½, hasta que la crema empieza a bullir. Ajustar la temperatura al nivel 3½ y agregar el chocolate picado, un puñado a la vez, revolviendo constantemente con un cucharón de plástico hasta que este completamente derretido. Una vez derretido el chocolate, agregar el licor. Ajustar la temperatura al nivel 3 para servir.

Servir con tajadas de pera, fresas frescas, galletas, cubos de bizcocho o brownies.

Poner todo los ingredientes en el tazón de una procesadora de alimentos Cuisinart®, equipada con cuchilla picadora. Procesar durante 20 segundos, hasta obtener una mezcla suave. Agregar el jugo de limón y reservar.

Colocar la crema líquida y el queso Mascarpone en la olla. Calentar, usando el ajuste 5-6, hasta que empieza a bullir. Ajustar la temperatura al nivel 3½ y revolver hasta que el queso este completamente incorporado a la crema. Agregar el chocolate picado, un puñado a la vez, revolviendo constantemente con un cucharón de madera o un batidor de plástico hasta que este completamente derretido.

Agregar el licor. Ajustar la temperatura al nivel 3 para servir.

Justo antes de servir, agregar ½ taza (120 ml) de puré de albaricoque/chabacano/damasco a la fondue. Revolver suavemente con un cucharillo para crear un efecto marmoleado.

La fondue de chocolate blanco con albaricoque es muy dulce.

Se aconseja servirla con frutas agras como piña, albaricoques frescos, clementinas o kiwi. También es deliciosa con biscotti de chocolate.

Poner las frambuesas en el bol de una procesadora de alimentos Cuisinart® equipada con cuchilla de metal. Procesar durante 30 segundos, hasta obtener una mezcla suave. Colar el puré en un colador de malla fina, presionando la mezcla a través del colador. Tirar las semillas.

Colocar la crema en la olla. Calentar, usando el ajuste 4½, hasta que la crema empieza a bullir. Agregar el chocolate picado, un puñado a la vez, revolviendo constantemente con un cucharón de madera o un batidor de plástico hasta que este completamente derretido.

Agregar ¼ taza (80 ml) del puré de frambuesa. Reservar el resto del puré para otro uso o congelar para hacer otra fondue más tarde. Agregar el licor. Ajustar la temperatura al nivel 3 para servir.

Esta fondue muy versátil puede comerse con cualquier tipo de fruta que se pueda mojar. También es deliciosa con bizcocho, pastel de ángel, galletas, brownies o biscotti.



**FONDUE DE PAVO Y PATATAS FRITAS**

Cantidad: 6–8 porciones

3½ tazas (830 ml) de aceite vegetal  
 2 libras (910 g) de pechuga de pavo, deshuesada y sin piel  
 1 libra (455 g) de patatas nuevas, cortadas en pedazos y cocidas al vapor hasta que estén tiernas

sal kosher y pimienta recién molida  
 que estén tiernas  
 en pedazos y cocidas al vapor hasta

Calentar el aceite, usando el ajuste 7½, hasta que alcance 375°F (190°C). Cortar el pavo en cubos.

Ensatar el pavo sobre los tenedores para fonde y freír en aceite

durante aproximadamente 3 minutos (hasta que el centro de la carne ya no esté rosado).

Ensatar las patatas sobre los tenedores para fonde y meter en el aceite. Freír hasta dorarse

y salpicar con sal y pimienta. Escurrir y dejar enfriar ligeramente el pavo y las patatas antes de servir. Servir con salsa de mostaza.

Salsas sugeridas:

Salsa de mostaza con albaricoque, salsa de mostaza con arándanos agrios, salsa de mostaza con rábano picante (recetas en la

página 16).

**FONDUES DULCES****FONDUE DE CHOCOLATE CON****AVELLANAS**

Cantidad: 8 porciones

1½ taza (355 ml) de crema líquida "half-and-half" (mitad leche/mitad crema)

1 taza (235 ml) de crema líquida para batir ("heavy cream")

1½ libra (680 g) de chocolate semi-amargo ("bittersweet" o semi-dulce ("semisweet"), finamente picado

1¼ taza (60 ml) de Frangelico

¼ taza (30 g) de avellanas tostadas, picadas

Colocar la crema líquida y la crema líquida para batir en la olla. Calentar, usando el ajuste 4½, hasta que la crema empiece a bullir. Ajustar la temperatura al nivel 3½ y agregar el chocolate picado, un puñado a la vez, revolviendo constantemente con un cucharón de madera o un batidor de plástico hasta que esté

completamente derretido. Una vez derretido el chocolate, agregar el licor.  
 Mantener caliente, usando el ajuste 3. Esparcir las avellanas picadas encima justo antes de servir.  
 Servir con galletas, biscotti, cubos de pastel de vainilla o chocolate, albaricoques secos, brownies, frutas del bosque frescas, tajadas de pera, cubos de pira o malvaiscos.

**FONDUE DE CHOCOLATE CON BOURBON**

Cantidad: 6–8 porciones

1 taza (235 ml) de crema líquida para batir ("heavy cream")  
 1 taza (235 ml) de crema líquida "half-and-half" (mitad leche/mitad crema)  
 8 onzas (225 g) de chocolate amargo, rallado  
 8 onzas (225 g) de chocolate con leche, rallado  
 2 cucharadas de café expreso instantáneo

2–3 cucharadas de Bourbon de Kentucky

Calentar la crema líquida y la crema líquida para batir, usando el ajuste 4½. Cuando la crema empiece a bullir, ajustar la temperatura al nivel 4 y agregar el chocolate rallado, un puñado a la vez, revolviendo constantemente con un cucharón de madera o un batidor de plástico hasta que esté completamente derretido. Combinar el café instantáneo con 2 cucharadas de Bourbon. Agregar a la fondue de chocolate. Agregar más Bourbon, al gusto. Ajustar la temperatura al nivel 3 para servir.

Sugeriones para servir:

Rodajas de albaricoque fresco, fresas, cerezas, pedazos de mandarina, albaricoques secos, cubos de bizcocho, galletas, biscotti.

**FONDUE DE CHOCOLATE CON MENTA**

1 taza (235 ml) de crema líquida "half-and-half" (mitad leche/mitad crema)  
 1 taza (235 ml) de crema líquida para batir ("heavy cream")  
 1½ libra (680 g) de chocolate semi-amargo ("bittersweet"), finamente picado  
 ½ libra (225 g) de chocolate con leche, finamente picado  
 ¼ taza (60 ml) de crema de cacao (sin colorante)

## FONDUE DE MARISCOS Y VEGETALES FRITOS

Cantidad: 6–8 porciones

3½ tazas (830 ml) de aceite vegetal

1 libra (455 g) de camarones grandes,

limpios y con cola

1 libra (455 g) de vieiras limpias (quitar el

musculolateral), secadas

½ libra (225 g) de filete de salmón (sin piel),

en cubos

12 onzas (340 g) de berenjena "baby" o

japonesa, en rodajas gruesas

1 calabacín ("zucchini") de

rodajas gruesas

24 habichuelas/judías verdes, en trozos

12 cebollas cambray ("pearl onions"),

cocidas al vapor hasta que estén

crujientes-tiernas

2 zanahorias grandes, peladas, cortadas

en rodajas ovaladas gruesas y cocidas

al vapor hasta que estén crujientes-

tiernas

8 onzas (225 g) de patatas nuevas,

cortadas en pedazos y cocidas al vapor

hasta que estén tiernas

pedazos de limón

albahaca fresca

Calentar el aceite, usando el ajuste 7½, hasta

que alcance 375°F (190°C).

Ensatar los mariscos y los vegetales sobre los

tendedores para fondue y freír hasta que estén

dorados y crujientes. Dejar escurrir un poco y

servir con salsa.

Salsas sugeridas:

Salsa de espinaca, salsa de pimientos rojos

asados y tomates secados al sol, alioli al estilo

"tapenade" y salsa Tzatziki. (recetas en las

páginas 14 y 15).

Salsas sugeridas:  
Salsa de marí asiática y salsa de jengibre y  
Wasabi (recetas en la página 14).

## FONDUE DE RES CON CEBOLLETAS Y JENGIBRE

Cantidad: 6–8 porciones

6 tazas (1.5 L) de caldo/consomé de res

bajo en sodio de buena calidad + 2

tazas (475 ml) de caldo caliente

3 cebolletas ("scallions"), en trozos

6 rodajas de jengibre fresco

1–2 dientes de ajo, machacados

4 granos de pimienta

1 cucharada de salsa de soja baja en

sodio

1 cucharada de mirín, vino de arroz o jerez

seco

¾ libra (340 g) de filete de res, en tiras

finas

¾ libra (340 g) de filete de cerdo, en tiras

finas

8 onzas (225 g) de zanahorias "baby"

cocidas al vapor hasta que estén tiernas

6 onzas (170 g) de daikon, en rodajas

finas

8 onzas (225 g) de champiñones blancos

limpios

8 onzas (225 g) de tofu (queso de soja)

firme, en cubitos

8 cebolletas ("scallions"), en trozos

grandes

4 onzas (115 g) de castañas de agua,

escurridas

arroz cocido al vapor (opcional)

Colocar el caldo/consomé de res, las

cebolletas, el jengibre, el ajo y la pimienta en la

olla. Ajustar la temperatura al nivel 6. Cuando la

mezcla empieza a hervir, ajustar la temperatura

al nivel 3 y cocer a fuego lento durante 20–25

minutos. Agregar la salsa de soja y el mirín.

Ensatar las tiras de res/cerdo y los vegetales

sobre los tendedores para fondue y cocer. Servir

en boles, con arroz cocido al vapor. Agregar

más caldo a la olla si es necesario.

\* El antis estrellado (también llamado badiana) es originario de la China. Se utiliza en la cocina asiática y tropical, y como saborizante en alimentos hornados en muchas cocinas occidentales. Esta disponible en la mayoría de las tiendas asiáticas y en la sección asiática de los supermercados grandes.

**FONDUE DE MARISCOS**

Cantidad: 6–8 porciones

1 cucharada de aceite de oliva virgen extra

3 dientes de ajo, en rodajas finas

1 libra (455 g) de mejillones frescos, limpios\*

1 pizca de hebras de azafrán

2 tazas (475 ml) de vino blanco seco o vermu

1 cucharadita de sal kosher

26 onzas (780 g) de puré de tomate

3–4 ramitas de albahaca fresca

1 taza (235 ml) de agua

1 libra (455 g) de camarones grandes, pelados y limpios, cortados longitudinalmente a la mitad

1 libra (455 g) de vieiras limpias (quitar el músculo lateral), secadas

1 "baguette" crujiente, en cubos

Calentar el aceite, usando el ajuste 4½.

Agregar las rodajas de ajo y cocer durante aproximadamente 1 minuto, hasta dorarse ligeramente. Agregar los mejillones, el azafrán y el vino. Cocer durante 3–4 minutos, revolviendo de vez en cuando, hasta que los mejillones se abran. Reservar los mejillones. Agregar la sal, el puré de tomate, la albahaca y el agua a la olla. Ajustar la temperatura al nivel 6. Cuando la mezcla empiece a hervir, ajustar la temperatura al nivel 3½ y cocer a fuego lento durante 10 minutos. Sacar los mejillones de sus conchas. Tirar las conchas.

Retirar la albahaca de la salsa. Si la salsa parece muy espesa, agregar un poco de agua. Ensartar los camarones, las vieiras o los mejillones sobre los tenedores para fondue y meter en la salsa. Cocer los camarones y las vieiras hasta que estén firmes, pero no duros. Cocer los mejillones *justo* hasta que estén calientes, o se pondrán duros. Ensartar cubos de pan sobre los tenedores para fondue y meter en la salsa.

Salsas sugeridas: Allio al estilo "tapenade" (receta en la página 15).

\*Los mejillones frescos deberán tener la concha bien cerrada. Desechar los mejillones con concha abierta. Refrigerar hasta el momento de usar. Para limpiar los mejillones, combinarlos con agua fría y ¼ taza (30 g) de harina de maíz en un tazón grande. Dejar reposar durante 20 minutos para expulsar la arena. Después de esto, arrancar las "barbas" con un fuerte tirón. Retirar del agua, dejando la harina de maíz y la arena en el fondo, y poner a secar sobre varias capas de papel absorbente antes de cocer.

**FONDUE DE POLLO CON ANÍS**

Cantidad: 6–8 porciones

4½ tazas (1 L) de caldo/consomé de pollo de buena calidad + 12 tazas (235–475 ml) de caldo caliente

¾ onza (25 g) de anís estrellado

1½ libra (685 g) de pechuga de pollo, desmenuada y sin piel

8 onzas (225 g) de champiñones blancos limpios

1 pimiento rojo, sin semillas

1 pimiento amarillo, sin semillas

1 calabacín pequeño

½ libra (225 g) de espárragos o broccolini

½ libra (225 g) de tirabeques/arvejas chinas ("snow peas", sin puntas/hebras arroz cocido al vapor (opcional))

Colocar el caldo de pollo y el anís en la olla. Ajustar la temperatura al nivel 6. Cuando la mezcla empiece a hervir, ajustar la temperatura al nivel 3½ y seguir cociendo a fuego lento durante aproximadamente 10 minutos. Limpiar el pollo, quitando el cartilago y la grasa visible. Cortarlo en pedazos de 1 pulgada (2.5 cm). Cortar los pimientos en tiras de 1½ x ½ pulgada (2.5 x 1.5 cm). Cortar los calabacines en rodajas de ½ pulgada (1.5 cm). Ensartar el pollo sobre los tenedores para fondue y cocer en el caldo hasta que esté firme, durante aproximadamente 3 minutos (verciórase que el pollo está bien cocido). Ensartar los vegetales sobre los tenedores para fondue y cocer al gusto. Servir en boles, con arroz cocido al vapor. Agregar más caldo a la olla si es necesario.

Salsas sugeridas: Salsa de mani asiática y salsa de jengibre y Wasabi (recetas en la página 14).

## FONDUE AL ESTILO SURESTE

Servir con pan crujiente.  
\*Se aconseja cortar el queso en tajadas y congelarlos durante 30 minutos antes de empezar la preparación.

- ¾ taza (175 ml) de salsa
- ¾ libra (340 g) de queso Cheddar, rallado
- ¾ libra (340 g) de queso Monterey Jack, rallado
- 3 cucharadas de maicena
- ½ cucharadita de comino en polvo
- 1 diente de ajo, cortado a la mitad
- 2 botellas de Corona u otra cerveza mejicana, a temperatura ambiente
- 3 cucharadas de Tequila
- salchicha de pollo al estilo sureste, cortada en pedazos de 1 pulgada (2.5 cm)
- vegetales frescos escaladados
- chips de maíz
- cuocos de pan crujiente

Colocar la salsa en un colador de tela o un colador regular forrado con filtro de café y dejar escurrir durante aproximadamente 1 hora, hasta espesarse. Reservar.

Combinar el queso rallado y la maicena en un tazón grande. Revolver.  
Restregar la olla con el ajo. Agregar ¾ tazas (500 ml) de cerveza y calentar, usando el ajuste 5. Cuando la mezcla empiece a hervir, ajustar la temperatura al nivel 4½ y agregar el queso, un puñado a la vez, revolviendo constantemente con un cucharón de madera o un batidor de plástico. Revolver y permitir que el queso se derrita antes de agregar más. Una vez derretido el queso, agregar la salsa y la Tequila. Ajustar la temperatura al nivel 3 para servir.

Servir con pan crujiente y pedazos de manzana

de plástico hasta que esté completamente derretido. Si la mezcla parece demasiado espesa, agregar más cidra. Ajustar la temperatura al nivel 3 para servir.

## FONDUE DE QUESO BRIE CON CHAMPINONES

- ¾ onza (25 g) de hongos porcini secos
- 1 taza (235 ml) de agua hirviendo
- 1½ libra (680 g) de queso Brie\*
- 3 cucharadas de maicena
- 1 onza (30 g) de chalote, picado
- 6 onzas (170 g) de champinones blancos, cortados en la mitad
- 1 cucharada (15 g) de mantequilla sin sal
- 2½ tazas (590 ml) de vino blanco seco (por ej. Sauvignon Blanc)

Enjuagar las setas secas y colocarlas en un tazón pequeño. Cubrir con agua hirviendo y dejar reposar durante 20 minutos, hasta suavizarse. Escurrir, exprimir y picar finamente. Reservar.

Quitar la corteza del queso con un cuchillo afilado. Cortar en cubitos de ½ pulgada (1.5 cm). Combinar con la maicena y refrigerar hasta el momento de usar.

Instalar una cuchilla de metal en una procesadora de alimentos Cuisinart®. Encender la máquina, echar el chalote en la boca de llenado y procesar durante 5 segundos. Raspar el bol, agregar las setas y pulsar aproximadamente 20 veces, hasta que estén finamente picadas.

Derretir la mantequilla en la olla, usando el ajuste 4½. Agregar el chalote picado y los champinones frescos. Rehogar durante 3-4 minutos, revolviendo, hasta dorarse ligeramente. Agregar el vino. Cuando la mezcla empiece a hervir, ajustar la temperatura al nivel 3½-4½ y agregar el queso, un puñado a la vez, revolviendo constantemente con un cucharón de madera o un batidor de plástico. Revolver para combinar antes de agregar más queso. Después de haber agregado todo el queso, agregar las setas picadas.

## FONDUES DE QUESO

### FONDUE DE QUESO CLÁSICA

Cantidad: 6–8 porciones

- 1 libra (455 g) de queso Gruyère, rallado
- ¾ libra (340 g) de queso Emmental, rallado
- 6 cucharaditas de maicena
- 1½ cucharadita de mostaza seca
- 1 diente de ajo, cortado a la mitad
- 2¼ tazas (500 ml) de vino blanco seco (no utilice Chardonnay)
- 2½ cucharadas de Kirschwasser

Combinar el queso rallado en un tazón grande. Agregar la maicena, la mostaza seca y revolver. Reservar.

Restregar el fondo y los costados de la olla con el ajo. Agregar el vino. Calentar, usando el ajuste de temperatura 5, hasta que empiece a hervir. Agregar el queso, un puñado a la vez, revolviendo constantemente con un cucharón de madera o un batidor de plástico hasta que este completamente derretido. Poco a poco, la fondue se volverá más espesa. Una vez derretido el queso, agregar el licor. Reducir la temperatura al nivel 3. No permitir que la fondue hierva.

Servir con cubos de pan crujiente. También puede servir la fondue con vegetales escaladados crujientes—tíenos o patatas nuevas cocidas pero firmes.

### FONDUE DE QUESO CON PESTO

Cantidad: 6–8 porciones

- 1 libra (455 g) de queso Mozzarella semi-descremado, rallado
- 8 onzas (225 g) de queso Fontina, rallado
- 6 onzas (170 g) de queso Provone, rallado
- 2 cucharadas de maicena
- 1 cucharada de aceite de oliva virgen extra
- 1 onza (30 g) de chalote, picado
- 1 diente de ajo, finamente picado
- 2 tazas (475 ml) de vino blanco seco como Pinot Grigio
- 6 cucharadas de pesto (comprado o hecho en casa)
- 6 cubos de pan crujiente

vegetales (cogolillos de brécol/coliflor escaladados, rodajas de zanahoria, pedazos de calabacín, tiras de pimiento rojo o amarillo crudo)

Combinar el queso y la maicena en un tazón grande. Reservar.

Echar el aceite de oliva en la olla y calentar, usando el ajuste 5½–6. Agregar el chalote y el ajo, y saltear durante aproximadamente 1 minuto, hasta que estén dorados. Agregar el caldo y seguir cocinando hasta que hierva. Ajustar la temperatura al nivel 3½. Agregar el queso, un puñado a la vez, revolviendo constantemente con un cucharón de madera o un batidor de plástico hasta que este completamente derretido. Permitir que el queso se derrita antes de agregar más. No hay necesidad de apurarse. Una vez derretido el queso, agregar el pesto.

Ajustar la temperatura al nivel 3 para servir. No permitir que la fondue hierva.

Servir con cubos de pan crujiente y vegetales.

### FONDUE DE QUESO CHeddar, CEBOLLA, MANZANA & SIDRA

Cantidad: 8 porciones

- 1½ libra (680 g) de queso Cheddar extrafuerte, rallado
- 2½ cucharadas de maicena
- ½ cucharadita de mostaza seca
- 1 cucharada (15 g) de mantequilla sin sal
- 1 onza (30 g) de chalote, picado
- ½ taza (55 g) de manzana agria finamente picada
- 2½ tazas (590 ml) de sidra
- 6 cubos de pan crujiente
- pedazos de manzana agria (revueltos con jugo de limón para evitar que ennegrezcan)

Combinar el queso rallado, la maicena y la mostaza seca en un tazón grande.

Derretir la mantequilla en la olla, usando el ajuste 3½. Agregar el chalote y la manzana y rehogar durante 3–4 minutos, hasta dorarse. Agregar 2 tazas (475 ml) de sidra.

Cuando la mezcla empieza a hervir, ajustar la temperatura al nivel 3–4 y agregar el queso, un puñado a la vez, revolviendo constantemente

## RECETAS

### Fondue de queso

8	Fondue de queso clásica.....
8	Fondue de queso con pesto.....
8	Fondue de queso Cheddar, cebolla, manzana y sidra.....
9	Fondue de queso Brie con champiñones.....
9	Fondue al estilo sureste.....

### Fondue de carne/mariscos

10	Fondue de mariscos.....
10	Fondue de pollo con anís.....
11	Fondue de res con cebolletas y jengibre.....
11	Fondue de mariscos y vegetales fritos.....
12	Fondue de pavo y patatas fritas.....

### Fondue dulces

12	Fondue de chocolate con avellanas.....
12	Fondue de chocolate con Bourbon.....
12	Fondue de chocolate con menta.....
13	Fondue de chocolate con frambuesas.....
13	Fondue de chocolate blanco con albaricoque.....
13	Fondue de frutas del bosque.....

### Salsas para fondue

14	Salsa de mani asiática.....
14	Salsa de jengibre y Wasabi.....
14	Salsa de espinaca.....
15	Salsa de pimientos rojos asados y tomates secados al sol.....
15	Alloli al estilo "tapenade".....
15	Salsa Tzatziki.....
16	Salsa de mostaza con albaricoque.....
16	Salsa de mostaza con arándanos agrios.....
16	Salsa de mostaza con rábano picante.....

plato de cada persona. Los tenedores para fondue son muy filosos y se vuelven muy calientes en el aceite o el caldo/consomé. Si se acumula salsa sobre un tenedor para fondue, puede "contaminar" el aceite o

quemado. De la misma manera, por razones de higiene, no se debe volver a meter un alimento en la olla después de probarlo.

## FONDUE DE CHOCOLATE

Para que su fondue de chocolate sea sabrosa, utilice chocolate de buena calidad.

Pique su propio chocolate rápidamente en una procesadora de alimentos Cuisinart®. Coloque pedazos de chocolate frío de 1 pulgada (2.5 cm) o menos en el bol equipado con cuchilla de metal y procese hasta que esté finamente picado.

No permita que el chocolate hierva.

Si la fondue empieza a "descomponerse" en una mezcla de chocolate con líquido acetoso, puede ser rescatada utilizando una licuadora de mano Cuisinart® a baja velocidad, directamente en la olla. Licue, utilizando un movimiento suave hacia arriba y hacia abajo, manteniendo la licuadora bajo la superficie de la fondue, hasta obtener una mezcla homogénea.

## FONDUE DE QUESO

Corte pan crujiente en cubos de 1 pulgada (2.5 cm) – siempre incluya un lado de la corteza encada trozo de pan. Ensarte los cubitos sobre los tenedores para fondue y meta el pan en el queso derretido, moviendo el tenedor en figura de ocho. No permita que el tenedor toque el fondo o los lados de la olla. Esto podría rayar la superficie antiadhérente. Empezee la fondue de queso calentando vino, cerveza o cualquier otro líquido hasta que hierva.

Cuando empiece a hervir, baje la temperatura y agregue el queso poco a poco, revolviendo hasta que esté completamente derretido. No permita que la fondue de queso hierva. Si la fondue empieza a "descomponerse" en una mezcla de queso con líquido acetoso,

## FONDUE DE CALDO/CONSOMÉ

Le recomendamos que utilice caldo/consomé hecho en casa (cermid) o caldo/consomé de buena calidad y bajo en sodio (caldos con alto contenido de sodio se volverán más fuertes al cocinarse).

Aromatice el caldo/consomé con jengibre fresco, cebolletas, especias o hierbas.

Siempre tenga más caldo/consomé listo para agregar a la olla si fuera necesario.

## FONDUE DE ACEITE

Utilice aceite vegetal sin sabor. Caliente el aceite hasta que alcance 375°F (190°C), usando el ajuste de temperatura 7½. Esto demorará 10–15 minutos. Para probar la temperatura del aceite, fría un cubo de pan de 1 pulgada (2.5 cm). Si el aceite está lo suficientemente caliente, el pan se dorará en 45 segundos. No utilice más de ¾ tazas (830 ml) de aceite. Sazone la carne DESPUÉS de freír. La carne caliente absorberá el sazón y éste no alterará el sabor de aceite.

## CONSEJOS ÚTILES

Útilice vinos y cervezas de calidad y de agradable sabor. El sabor es importante. No cocine con vinos que no tomaría. El consejo también vale para los licores. Le recomendamos que utilice vinos como Sauvignon Blanc y Pinot Grigio para hacer fondos de queso. Champaña y Prosecco también son buenas opciones. No le aconsejamos que utilice Chardonnay o vino tinto, porque el sabor del Chardonnay puede ser demasiado fuerte y las fondus preparadas con vino tinto no son muy atractivas. Deje los alimentos a temperatura ambiente durante 2 horas o más antes de cocerlos. Mantenga la carne, el pollo y los mariscos crudos en un baño de hielo para evitar que se echen a perder. Siempre elimine los cristales de hielo y seque los alimentos con papel absorbente antes de cocerlos. Para evitar las salpicaduras y lograr una cocción uniforme, le recomendamos que no cocine más de 8 pedazos a la vez. Corte los alimentos en trocitos pequeños, del tamaño de un bocado. Corte la carne en cubos o tiras. Le recomendamos que escale o cuece los vegetales al vapor antes de freírlos. Esto preservará su color y logrará una cocción más rápida. Se pueden pre-cocer los vegetales como la judía verde, el brécol o la coliflor hasta que estén crujientes o tiernos. Se pueden cocer las patatas nuevas al vapor hasta que estén suaves, pero firmes. No es necesario pre-cocer las cebolletas o los pimientos. Las salsas para mojar pueden servirse en recipientes con cucharones, de manera que pueda colocar pequeñas cantidades en cada plato, o utilizar salsas individuales para cada invitado. Para servir la fondue en el comedor, coloque el aparato en el centro de la mesa, sobre un salvamante. Le recomendamos que cubra la mesa con un mantel para protegerla. De a cada invitado un plato, un tenedor para fondue, un tenedor regular y una servilleta grande. La etiqueta de la fondue indica que los alimentos no deben comerselos directamente del tenedor para fondue, sino colocarse sobre el

## GUÍA DE TEMPERATURA

Las temperaturas sugeridas a continuación necesitarán ajustarse según la temperatura inicial del líquido de cocción, la temperatura de los alimentos, y la cantidad de alimentos.

### PAUTAS

#### Fondos de chocolate

Útilice el ajuste de temperatura 4½-5 para calentar la crema o el líquido. Cuando empiece a hervir, ajuste la temperatura al nivel 3½-4 y agregue el chocolate poco a poco. Una vez derretido el chocolate, ajuste la temperatura al nivel 3 para servir.

#### Fondos de queso

Útilice el ajuste de temperatura 5½-6 para saltear cebolla finamente picada y otros vegetales aromáticos. Agregue el líquido y ajuste la temperatura al nivel 6½.

Cuando el líquido empiece a hervir, ajuste la temperatura al nivel 4½-5 y agregue el queso rallado poco a poco.

Una vez derretido el queso, ajuste la temperatura al nivel 3 para servir.

#### Fondos de caldo/consomé

Útilice el ajuste de temperatura 5-6 para saltear cebolla finamente picada y otros vegetales aromáticos. Agregue el líquido y ajuste la temperatura al nivel 7. Cuando

empiece a hervir, ajuste la temperatura al nivel 3½-4.

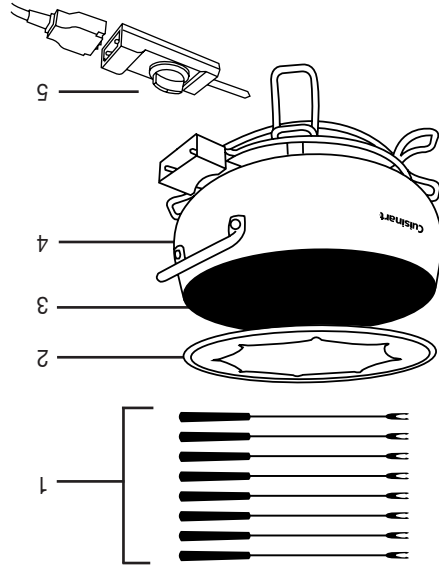
Dejar la temperatura al nivel 3½-4 para servir.

#### Fondos de aceite

Caliente el aceite durante 10-15 minutos, usando el nivel 7½, hasta que la temperatura del aceite registre 375°F (190°C) con un termómetro para freír, o hasta que un cubito de pan de 1 pulgada (2,5 cm) se dore en 45 segundos. Puede que la temperatura del aceite baje al introducir alimentos fríos en la olla. Si esto ocurriera, ajuste la temperatura al nivel 7½-8.

Ajuste la temperatura durante la cocción si fuera necesario para mantener la temperatura del aceite.





## ADVERTENCIA: NUNCA DESCONECTE

EL CONECTOR MAGNÉTICO ANTES

DE DESENCHUFAR EL CABLE. PARA

DESCONECTAR EL APARATO, DESENCHUFE

EL CABLE DE LA TOMA DE CORRIENTE.

Solamente use el cable provisto con este

aparato. Usar otro cable presenta un riesgo de

incendio, electrocución o herida.

**PRECAUCIÓN:** No desconecte el conector

magnético después de encender el aparato.

Si el conector magnético se desconectará

durante el funcionamiento, desconecte el cable

inmediatamente.

## CARACTERÍSTICAS

1. Tenedores para fondue (x8)

2. Aro para sostener los tenedores

3. Olla antiadherente

con capacidad de 2.8 L

4. Cuerpo de acero inoxidable cepillado

5. Termosato/sonda de temperatura

con temperatura variable

6. Sin BPA (no ilustrado)

Las partes en contacto con los alimentos

no contienen bisfenol A (BPA).

## CÓMO HACER FONDUE DE

### ACEITE

**PRECAUCIÓN:** Tenga sumo cuidado al mover

una olla que contenga aceite u otro líquido

caliente. No se recomienda hacer fondue de

aceite cuando niños están presentes.

**PRECAUCIÓN:** El aceite caliente puede

salpicar durante la cocción.

Asegúrese de que la olla esté completamente

seca antes de llenarla con aceite.

Los tenedores para fondue se vuelven

extremadamente calientes durante la cocción.

No coma de los tenedores después de

retirarlos del aceite caliente.

Coloque el aparato sobre una superficie plana,

segura, seca y resistente al calor.

Conecte el termosato/sonda de temperatura

a la olla.

Conecte el conector magnético al termosato.

Nota: Esto debe hacerse antes de conectar

el cable a la toma de corriente. El conector

magnético encajará de una sola manera.

vegetal.

**NOTA:** No utilice más de 3½ tazas (830 ml) de

aceite.

No sustituya el aceite vegetal por mantequilla,

margarina, aceite de oliva, manteca de cerdo

u otro tipo de manteca. Nunca agregue agua o

cualquier otro líquido al aceite.

Coloque el aro sobre la olla. El aro

sostendrá los tenedores durante la cocción.

**PRECAUCIÓN:** No utilice más de 8 tenedores

para fondue al hacer fondue de aceite. El aro

también reducirá las salpicaduras durante la

cocción.

**NOTA:** No tape la olla al calentar el aceite o

cocer en aceite.

Siempre elimine los cristales de hielo y seque

los alimentos con papel absorbente antes de

cocerlos.

Para apagar el aparato, ponga la perilla de

temperatura en la posición "OFF". Permita que

la olla y el aro enfríen completamente antes de

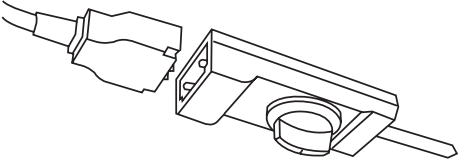
moverlos o limpiarlos.

## INSTRUCCIONES DE USO

Coloque el aparato sobre una superficie plana, segura, seca y resistente al calor.

Asegúrese que el control de temperatura esté en la posición de apagado (OFF) y conecte el termostato/sonda de temperatura a la olla.

Conecte el conector magnético al termostato.



Nota: Esto debe hacerse antes de conectar el cable a la toma de corriente. El conector magnético encajará de una sola manera.

Asegúrese de que el conector esté debidamente conectado. Enchufe el cable en

una toma de corriente de 120V.

Precaiente el aparato.

Elija la temperatura deseada. El indicador

luminoso se encenderá. Se apagará al alcanzar

la temperatura seleccionada. Nota: El indicador

verde se apagará y se volverá a encender

durante el uso, cada vez que el termostato

regule la temperatura. Esto es normal.

Ensarte los alimentos sobre los tenedores e

introduzalos en el líquido caliente, teniendo

cuidado de no rayar la superficie antiidherente

de la olla.

**NOTA:** Si necesita revolver el líquido caliente,

utilice utensilios de madera o de plástico

termoresistente para no dañar la superficie

antiidherente.

Para apagar el aparato, ponga la perilla de

temperatura en la posición "OFF". Desconecte

el cable de la toma de corriente. Permita que

la olla enfríe, y luego retire el termostato/sonda

de temperatura.

## USO DE EXTENSIONES

No sumerja el cable, el enchufe, el conector magnético o el termostato/sonda de temperatura en agua u otro líquido.

No intente sujetar el conector magnético al aparato de forma permanente.

No introduzca alfileres u otros objetos puntiagudos en los orificios del conector

magnético.

No utilice esponjas metálicas para limpiar los contactos magnéticos.

Este aparato no contiene piezas que puedan

ser reparadas por el usuario. El termostato/

sonda de temperatura no requiere lubricación.

No intente reparar este producto. El cable

proveído con este aparato es corto, para

reducir el peligro de que alguien se enganche

o tropiece con un cable más largo.

Puede usarse una extensión eléctrica con

cuidado. Si usa una extensión eléctrica, la

clasificación nominal de la extensión debe ser

por lo menos igual a la del aparato. Coloque

la extensión sobre la encimera o la mesa de

tal forma que niños no puedan jalar o tropezar

## AVISO

El cable de este aparato está dotado de una

clavija polarizada (una pata es más ancha

que otra). Como medida de seguridad, se

podrá enchufar de una sola manera en la

toma de corriente polarizada. Si no entrara

en la toma de corriente, invértela. Si aun no

entra completamente, comuníquese con un

electricista. No intente modificarla.

## PREPARACION

Antes de usar el aparato por primera vez, lave

la olla, el aro y los tenedores en agua jabonosa

caliente. Enjuague y seque bien. **PRECAUCIÓN:**

No lave ni sumerja el termostato/sonda de

temperatura, el cable, el enchufe o el conector

magnético en agua u otro líquido.

Antes del primer uso, cepille levemente el

interior de la olla con aceite vegetal. Caliente

sin cubrir al nivel 4 durante hasta 5 minutos.

Apague (OFF) el aparato y permita que enfríe

completamente. Absorba el exceso de aceite

con un papel absorbente.

# GUARDE ESTAS INSTRUCCIONES PARÁ USO DOMÉSTICO SOLAMENTE

10. No permita que el cable cuelgue del borde de la encimera o de la mesa, ni que haga contacto con superficies calientes.
11. No coloque el aparato sobre o cerca de un quemador a gas o una hornilla eléctrica caliente, ni en un horno caliente.
12. Tenga sumo cuidado al mover un aparato que contenga aceite u otros líquidos calientes.
13. Siempre conecte el cable al aparato antes de enchufar éste en la toma de corriente. Siempre apague el aparato (OFF) antes de desconectarlo.
14. No utilice el aparato para ningún otro fin que no sea el indicado.
15. Los tenedores para fondue son extremadamente calientes al retirarse del aceite caliente. No coma de los tenedores después de retirarlos del aceite caliente.
16. Asegúrese de que las asas estén bien sujetadas a la olla.
17. No utilice más de 3½ tazas (830 ml) de aceite para hacer fondue de aceite.
18. Utilice únicamente sobre superficies resistentes al calor.
19. No utilice más de 8 tenedores para fondue al hacer fondue de aceite.
20. No haga funcionar el aparato bajo o dentro de un armario. **Siempre desconecte el aparato antes de guardarlo en un armario.** Dejar el aparato conectado presenta un riesgo de incendio, especialmente si éste toca las paredes o la puerta del armario.

1. **LEA TODAS LAS INSTRUCCIONES ANTES DE USARLO.**
2. **Desconecte el aparato cuando no esté en uso y antes de limpiarlo. Permita que enfríe antes de instalar o remover piezas y antes de limpiarlo.**
3. No toque las superficies calientes. Utilice el mango y los botones o perillas.
4. Siempre utilice guantes para el horno/maoplas para manipular la fondue caliente.
5. No sumerja el termostato/sonda de temperatura, el cable, el enchufe o el conector magnético en agua u otro líquido.
6. Supervise el uso de este aparato cuidadosamente cuando esté usado cerca de niños.
7. No utilice este aparato si el cable o la clavija estuviesen dañados, después de que hubiese funcionado mal o que se hubiese caído o si estuviese dañado. Regrese el aparato a un centro de servicio autorizado para su revisión, reparación o ajuste.
8. El uso de accesorios no recomendados por Cuisinart puede provocar heridas.
9. No lo utilice en exteriores.

# MEDIDAS DE SEGURIDAD IMPORTANTES

Siempre que use aparatos eléctricos, debe tomar precauciones básicas de seguridad, entre las cuales las siguientes:

- |                                  |    |
|----------------------------------|----|
| Medidas de seguridad importantes | 2  |
| Preparación                      | 3  |
| Instrucciones de uso             | 3  |
| Características                  | 4  |
| Guía de temperatura              | 5  |
| Consejos útiles                  | 5  |
| Recetas                          | 7  |
| Limpieza y mantenimiento         | 16 |
| Garantía                         | 17 |

**CFO-3SS**

# Fondue eléctrica

Para su seguridad y para disfrutar plenamente de este producto, siempre lea las instrucciones cuidadosamente antes de usarlo.



**INSTRUCCIONES  
& LIBRO DE  
RECETAS**

# **Cuisinart®**