

# Cuisinart®

## INSTRUCTION BOOKLET



**Cuisinart® Classic 12-Cup  
Programmable Coffeemaker**

**DCC-1100 Series**

For your safety and continued enjoyment of this product, always read the instruction book carefully before using.

---

# IMPORTANT SAFEGUARDS

When using electrical appliances, basic safety precautions should always be followed to reduce the risk of fire, electric shock and/or injury to persons, including the following:

1. **READ ALL INSTRUCTIONS.**
2. Do not touch hot surfaces. Use handles and knobs.
3. To protect against electric shock, do not place cord, plug, or base in water or other liquids.
4. Close supervision is necessary when any appliance is used by or near children.
5. **Always unplug from outlet when not in use and before cleaning.** Allow to cool before putting on or taking off parts and before cleaning the appliance.
6. Do not operate any appliance with a damaged cord or plug or after the appliance malfunctions or has been dropped or damaged in any manner. Return appliance to the nearest Cuisinart Repair Center for examination, repair, or electrical or mechanical adjustment.
7. The use of accessory attachments not recommended by Cuisinart may cause injuries.
8. Do not use outdoors.
9. Do not let cord hang over edge of table or counter, or touch any hot surface.
10. Do not place on or near a hot gas or electric burner, or in a heated oven.
11. Always fill water reservoir first, then plug cord into the wall outlet. To disconnect, turn controls to OFF, then remove plug from wall outlet.
12. Do not use appliance for other than intended use.
13. Snap lid securely onto carafe before serving any beverages.
14. Scalding may occur if the lid is removed during the brewing cycle.
15. The glass carafe is designed for use with appliance base only. It must never be used on the range top.
16. Do not set a hot carafe on a wet or cold surface.
17. Do not use a cracked carafe or a carafe having a loose or weakened handle.
18. Do not clean carafe or warming plate with cleansers, steel wool pads, or other abrasive materials.
19. **WARNING: TO REDUCE THE RISK OF FIRE OR ELECTRIC SHOCK, DO NOT REMOVE THE BASE PANEL. NO USER-SERVICEABLE PARTS ARE INSIDE. REPAIR SHOULD BE DONE ONLY BY AUTHORIZED PERSONNEL.**
20. Avoid contact with moving parts.

## SAVE THESE INSTRUCTIONS FOR HOUSEHOLD USE ONLY

### WARNING: RISK OF FIRE OR ELECTRIC SHOCK



The lightning flash with arrowhead symbol within an equilateral triangle is intended to alert the user to the presence of uninsulated dangerous voltage within the product's enclosure that may be of sufficient magnitude to constitute a risk of fire or electric shock to persons.



The exclamation point within an equilateral triangle is intended to alert the user to the presence of important operating and maintenance (servicing) instructions in the literature accompanying the appliance.

---

## SPECIAL CORD SET INSTRUCTIONS

A short power-supply cord is provided to reduce the risks resulting from becoming entangled in or tripping over a longer cord.

Extension cords may be used if care is exercised in their use.

If an extension cord is used, the marked electrical rating of the extension cord must be at least as great as the electrical rating of the appliance, and the longer cord should be arranged so that it will not drape over the countertop or tabletop where it can be pulled on by children or tripped over.

## NOTICE

This appliance has a polarized plug (one blade is wider than the other). To reduce the risk of electric shock, this plug will fit in a polarized outlet only one way. If the plug does not fit fully in the outlet, reverse the plug. If it still does not fit, contact a qualified electrician. Do not modify the plug in any way.

## OPERATING NOTICE

Clogging and backing up of water and/or coffee in the filter basket can occur under any or a combination of any of the following conditions: The use of too finely ground coffee, using two or more paper filters, using the gold tone filter in conjunction with a paper filter or not properly cleaning coffee grounds from the gold tone filter, or allowing coffee grounds to spill over the filter.

**Caution:** Never open the reservoir cover during the brewing cycle, even if no water is draining from the filter basket, since extremely hot water/coffee can spill out from the basket and cause injury. If water/coffee is not draining from the filter basket during the brewing cycle, unplug the unit and wait 10 minutes before opening the reservoir cover and checking the basket.



## CONTENTS

Important Safeguards . . . . .	2
Important Unpacking Instructions . . . . .	4
The Quest for the Perfect Cup of Coffee . . . . .	4
Features and Benefits . . . . .	5
Control Panel . . . . .	6
Programming Your Coffeemaker . . . . .	7
Charcoal Water Filter . . . . .	8
Brewing Coffee . . . . .	8
Cleaning and Maintenance . . . . .	9
Warranty . . . . .	10

## IMPORTANT UNPACKING INSTRUCTIONS

1. Place the box on a large, sturdy, flat surface.
2. Remove the instruction book and any other literature.
3. Turn the box so that the back side of the coffeemaker is down and slide the coffeemaker from the box.
4. After the coffeemaker has been removed, place the box out of the way and remove the top and bottom two polyfoam inserts.
5. Grasp the carafe by its handle, remove it from the heater plate and **remove the polybag**.
6. **Remove the polybag covering** from the coffeemaker and lift the coffeemaker off the remaining two inserts.

We suggest you save all packing materials in the event that future shipping of the machine is needed. Keep all plastic bags away from children.

## THE QUEST FOR THE PERFECT CUP OF COFFEE

### ELEMENT 1: WATER

Coffee is 98% water. The quality of that water is as important as the quality of your coffee. If water doesn't taste good from the tap, it won't taste good in your coffee. Cuisinart includes a charcoal water filter to remove chlorine, bad tastes and odors, for the purest coffee flavor, every time you brew.

### ELEMENT 2: COFFEE

While coffee is 98% water, all of the flavor comes from the beans. To achieve the same great taste you enjoy at a coffee bar, you need to use the same quality of coffee. If you choose to grind your own beans, buy them fresh and whole. Buy only about a two-week supply at a time, because once the bean is broken, its flavor degrades quickly.

### ELEMENT 3: GRIND

The grind is critical for proper flavor extraction. If the grind is too fine, over-extraction and bitterness will result. Too fine a grind may also clog the filter. If grind is too coarse, the water will pass through too quickly and the maximum flavor will not be extracted. When grinding your own beans, we recommend a medium-fine grind.

### ELEMENT 4: PROPORTION

Coffee that is too strong or too weak is always a disappointment. Follow the recommended portions of ground coffee in the instructions under Brewing Coffee, and later adjust the amount to suit your taste.

NOTE: The maximum capacity for ground coffee is 15 scoops (15 tablespoons) for this 60-oz. (twelve 5-oz. cups) coffeemaker. Exceeding this amount may cause overflow.

# FEATURES AND BENEFITS

## 1. Reservoir Cover

Flips back for easy filling.

## 2. Water Reservoir

With water level indicator window.

## 3. Showerhead (not shown)

Distributes water evenly over coffee, reducing temperature loss as water passes through grounds.

## 4. Charcoal Water Filter Holder

Holds filter firmly in place.

## 5. Charcoal Water Filter (shown on page 8)

Charcoal water filter eliminates chlorine, calcium and bad tastes and odors from tap water.

## 6. Filter Basket

Holds a #4 paper filter **OR** a permanent filter.

## 7. Filter Basket Holder

## 8. Permanent Gold-Tone Commercial-Style Filter

Eliminates the need for paper filters.

**NOTE:** Some fine grounds may flow through the filter and appear as sediment in the carafe.

## 9. Brew Pause™

Stops flow of coffee from basket when carafe is removed (30 seconds max) from the heater plate, so a cup can be poured in mid-brew.

## 10. 12-Cup Glass Carafe

The easy-pour, no-drip 12-cup carafe has an ergonomic handle and brewed coffee markings for two to twelve cups.

## 11. Heating Plate

Scratch resistant with black, nonstick coating.

## 12. Ready Tone (not shown)

Signals the end of the brew cycle with five beeps.

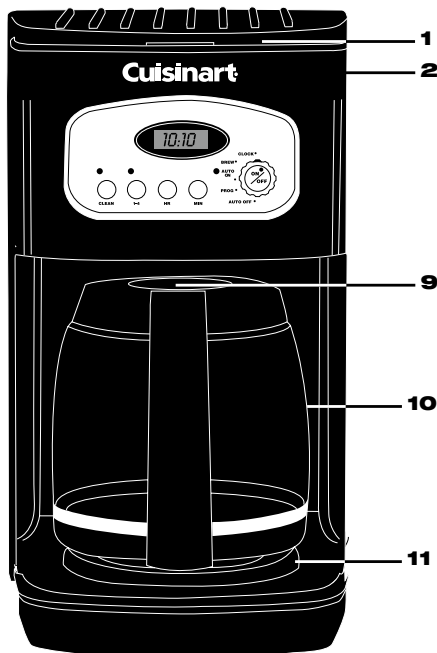
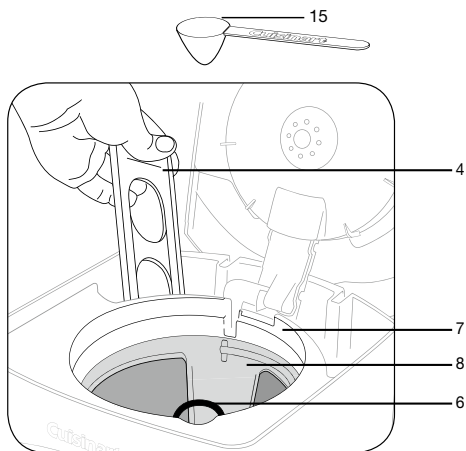
## 13. Cord Storage (not shown)

Convenient storage area keeps counters clear.

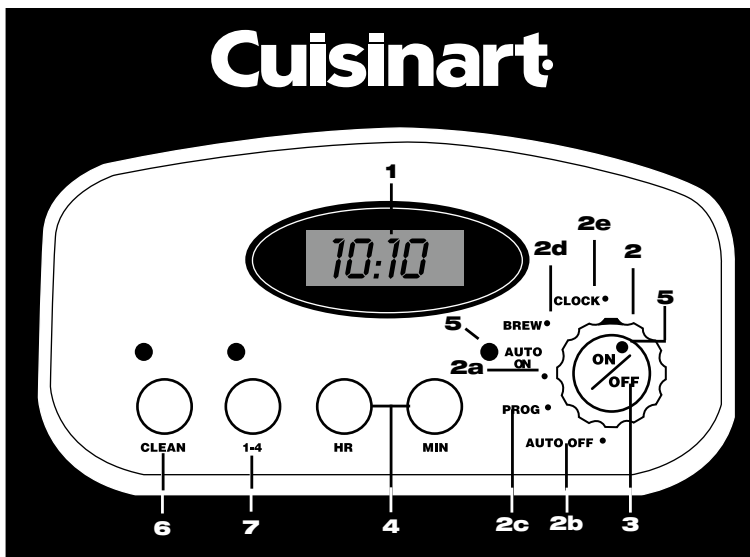
## 14. Power Loss Back-up System (not shown)

One-minute protection if a breaker trips, unit is unplugged, or power fails. Holds all programmed information, including time of day, auto on time and auto off time.

## 15. Measuring Scoop



# CONTROL PANEL



## 1. Clock Display

Displays time of day and auto on time.

## 2. Function Knob

For setting time of day, and auto on time.

### a. Auto On

The Auto On feature is used to program the start time of the brew cycle. The auto on time can be set for any time, day or night. The PM indicator is displayed on the LCD for nighttime program times.

### b. Auto Off

The Auto Off feature is used to shut off the coffeemaker at a preset time, anywhere from 0 to 4 hours.

### c. Program Set

The Program Set feature is used to set the time for the Auto On function.

### d. Brew

The Brew feature is used to start the brew cycle directly.

### e. Clock Set

Used to program the time of day.

## 3. On/Off Button

Used to turn your coffeemaker on and off; also works in tandem with the Function knob.

## 4. Hour and Minute Buttons

For use in setting hour and minute for time of day and auto on time.

## 5. On/Off and Auto On Indicator Light

## 6. Clean Setting

Indicates time to clean your coffeemaker to remove calcium buildup.

## 7. 1-4 Cup Setting

For brewing smaller pots of coffee – it provides double heating of the water, so coffee is piping hot.

## 8. Audible Tone (not shown)

The Cuisinart Classic™ 12-Cup Programmable Coffeemaker is equipped with an audible tone that will sound 5 times when the coffee has completed brewing (coffee will continue to stream from the filter for a few seconds after tone).

## BEFORE FIRST USE

We recommend flushing out your coffeemaker before first use.

Fill the reservoir with cold water and follow the directions for Brewing Coffee. **DO NOT ADD COFFEE!**

Once the system flush is complete, your coffeemaker is ready to brew so you can enjoy Cuisinart at its best!

## PROGRAMMING YOUR COFFEEMAKER

### TO BREW COFFEE

1. Turn the Function knob to Brew.
2. Press the On/Off button and release. The red On indicator light will illuminate and brew cycle will begin.

### TO TURN THE COFFEEMAKER OFF

Press the On/Off button and release.

**Note:** To program the coffeemaker to shut off automatically, see **To Program the Variable Auto Off** instructions at right.

## PROGRAMMING YOUR COFFEEMAKER FOR DELAYED BREW TIME

### To Set the Time

1. Turn the function knob to Clock.
  - a. **Set Hour:** Press and hold the Hour button to scroll through numbers quickly. When number displayed approaches the desired setting, press and release (pulse) the button to advance one digit at a time. After setting the correct hour, the default will be the last time set unless power is shut off.

**NOTE:** When the number count passes 12, the PM light will be displayed on the LCD.

- b. **Set Minutes:** Press and hold the Minute button to scroll through numbers quickly. When number displayed approaches the desired setting, press and release (pulse) the button to advance one digit at a time. After setting the correct minute, the default will be the last time set unless power is shut off. To finish setting time,

turn the Function knob to any other setting or simply wait until the numbers stop blinking.

### To Program the Auto On (brew start time)

1. Turn the Function knob to Prog.
2. Set the time you want coffee to begin brewing by using the Minute and Hour push-buttons. Follow the same instructions you used to set the time of day, in the **To Set the Time** section at left.
3. Turn the Function knob to Auto On. LCD will display the current time.
4. Press the On/Off button and release. The green indicator light will come on to remind you that the programming function is in use. At the programmed time, the red indicator will come on as well, indicating that the brew cycle is starting. Both lights will go off when Keep Warm cycle ends.

**NOTE:** To reactivate the Auto On feature to start brew cycle at the same time another day, simply press the On/Off button and release. The green Auto On light will illuminate.

### To Program the Variable Auto Off

1. Turn the Function knob to Auto Off. Press and hold the Hour button for 2 seconds. The clock display will start blinking.
2. Program the coffeemaker to shut off from zero to four hours after brew cycle is finished by using the Hour and Minute buttons (see **To Set the Time**).

## 1-4 Cup Setting

The 1-4 cup setting button is used when you make small amounts of coffee. The 1-4 cup setting basically double-heats the water, making your smaller amount piping hot.

**To use:** When making a smaller amount, press the 1-4 button on the control panel after turning on the unit.

### Power Loss Back-up System

One-minute protection in case a breaker trips, the unit is unplugged, or the power fails. It holds all programmed information, including time of day, auto on time and auto off time.

## CHARCOAL WATER FILTER

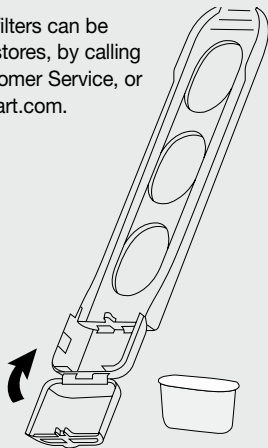
Your coffeemaker comes with a charcoal water filter that eliminates chlorine, bad tastes and odors from tap water.

### Inserting the Water Filter

- Remove the filter from the polybag and soak it, fully immersed, in cold tap water for 15 minutes.
- Lift the water filter holder out of the water reservoir (see diagram, page 5).
- Press down on the filter compartment and pull toward you to open.
- Place filter into the holder and snap it closed. Be careful – improper placement can tear the filter skin.
- Flush filter by running cold tap water through holes in bottom of compartment for 10 seconds.
- Allow the filter to drain completely.
- Slide the water filter holder back into the channel in the water reservoir, pushing it down to the base of the unit.

**NOTE:** We recommend changing the water filter every 60 days or after 60 uses, and more often if you have hard water.

Replacement filters can be purchased in stores, by calling Cuisinart Customer Service, or at [www.cuisinart.com](http://www.cuisinart.com).

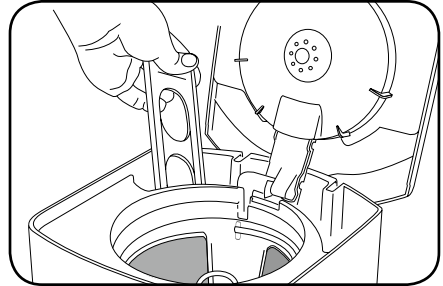


## BREWING COFFEE

Follow instructions in **Before First Use** on previous page.

### 1. Insert charcoal water filter

Follow directions for the preparation and insertion of the filter in previous section.



### 2. Fill the water reservoir

Open the coffeemaker reservoir cover by lifting it up. Pour in the desired amount of water using the water level indicator located at the side of the coffeemaker.

### 3. Cup preference

Push the 1–4 cup button if you are brewing fewer than 5 cups.

### 4. Add the ground coffee

Remove the filter basket by grasping the handle and lifting straight up. Insert a #4 paper filter **OR** permanent filter. Be sure that a paper filter is completely open and fully inserted in the basket. It may help to fold and flatten the seams of a paper filter beforehand. Add 1 level scoop (1 tablespoon) of ground coffee per cup. Adjust the amount according to taste.

**NOTE:** The maximum capacity for ground coffee is 15 scoops (15 tablespoons) for this coffeemaker. Exceeding this amount may cause overflow if the coffee is too finely ground.

Replace the filter basket in the filter basket holder and press firmly on cover to be sure it closes securely.

### 5. Before brewing coffee

Make sure the glass carafe is in position on the heating plate and the top cover is closed. Plug the cord into an electrical outlet.



---

## 6. Power unit on

Turn the function knob to Brew, press the On/Off button, and the red indicator light will turn on. Or, set the Auto On function (see page 7) and the Auto On indicator will light.

## 7. After brewing is complete

When the brewing cycle has been completed, five beeps will sound. Coffee will continue to stream from the filter for several seconds.

**NOTE: Reservoir cover may be hot during and directly after brewing. Wait at least 10 minutes before opening.**

### BREW PAUSE™ FEATURE

This feature interrupts the flow of coffee from the basket to let you pour that first cup mid-brew. Because the flavor profile of coffee brewed at the start of a cycle differs from that brewed toward the end, be aware that using this feature will weaken the flavor strength of the finished pot.

**NOTE:** Removing carafe for more than 20 seconds may cause filter basket to overflow.

## CLEANING AND MAINTENANCE

Always turn coffeemaker off and remove the plug from the electrical outlet before cleaning.

Lift up the reservoir cover. Remove and discard the paper filter and ground coffee. The filter basket can be washed in warm, soapy water and rinsed thoroughly, or cleaned in the upper rack of the dishwasher. Dry all parts after use.

**Do not put any water in the unit once the filter basket has been removed. Wipe the area under the filter basket with a damp cloth.**

Remove the carafe from the heating plate. Discard any remaining coffee. The carafe and lid can be washed in warm, soapy water and rinsed thoroughly, or placed in a dishwasher. The carafe and carafe lid should be placed on the upper rack only.

**Helpful Hint:** Coffee contains oils that can build up on your carafe. For best performance, wash carafe and wipe pour spout clean after each use.

Do not use any scouring agents or harsh cleansers on any part of the coffeemaker.

Never immerse base unit in water or other liquids. To clean base, simply wipe with a clean, damp cloth and dry before storing. Fingerprints and other blemishes on the glass housing can be washed off with soap and water or a nonabrasive cleaning solution. Wipe resting plate with a clean, damp cloth. Never use rough, abrasive materials or cleansers to clean the resting plate. Do not dry the inside of the water reservoir with a cloth, as lint may remain.

## DECALCIFICATION

Decalcification refers to the removal of calcium deposits that form over time on the metal parts of the coffeemaker.

For best performance from your coffeemaker, decalcify the base unit from time to time. The frequency depends upon the hardness of your tap water and how often you use the coffeemaker. The flashing Clean light will indicate when you should clean your coffeemaker.

**NOTE: Before decalcifying your coffeemaker, remember to remove the charcoal water filter from the water filter holder located in the water reservoir.**

To decalcify, fill the water reservoir to capacity with a mixture of  $\frac{1}{3}$  white vinegar and  $\frac{2}{3}$  water. Press the Clean button. When the Clean light glows, turn the coffeemaker on by pressing the On/Off button. The Clean light will shine steadily. The coffeemaker is now in Clean mode. One cycle should be sufficient to adequately clean the coffeemaker. When the cycle is completed and the five beeps sound, the coffeemaker will shut off. Turn the coffeemaker on to see if the Clean light continues to flash. If it does, turn it off and then repeat the cleaning procedure with a fresh solution of vinegar and water.

If the Clean light no longer flashes, turn the coffeemaker off and then run one cycle of fresh cold water through the unit before using the unit again to brew coffee.

### Notes on the Clean Function

Pressing the Clean button cancels all other settings. If it is pressed accidentally, press it again to return the coffeemaker to all its previous settings. Pressing On/Off will also exit the Clean mode and turn the coffeemaker off.

---

# WARRANTY

## LIMITED THREE-YEAR WARRANTY

We warrant that your Cuisinart® Classic 12-Cup Programmable Coffeemaker will be free of defects in materials and workmanship under normal home use for 3 years from the date of original purchase.

We recommend that you visit our website, [www.cuisinart.com](http://www.cuisinart.com) for the fastest, most efficient way to complete your product registration. However, product registration online does not eliminate the need for the consumer to maintain the original proof of purchase in order to obtain the warranty benefits. In the event that you do not have proof of purchase date, the purchase date for purposes of this warranty will be the date of manufacture.

If your Cuisinart® Classic 12-Cup Programmable Coffeemaker unit should prove to be defective within the warranty period, we will repair it, or if we think necessary, replace it. To obtain warranty service, simply call our toll-free number, 1-800-726-0190, for additional information from our Customer Service Representatives, or send the defective product to Customer Service at Cuisinart, 7811 North Glen Harbor Blvd., Glendale, AZ 85307.

To facilitate the speed and accuracy of your return, please enclose \$10.00 for shipping and handling of the product.

Please pay by check or money order (California residents need only supply proof of purchase and should call 1-800-726-0190 for shipping instructions).

**NOTE:** For added protection and secure handling of any Cuisinart product that is being returned, we recommend you use a traceable, insured delivery service. Cuisinart cannot be held responsible for in-transit damage or for packages that are not delivered to us. Lost and/or damaged products are not covered under warranty. Please be sure to include your return address, daytime phone number, description of the product defect, product model number (located on bottom of product), original date of purchase, and any other information pertinent to the product's return.

This Cuisinart® Classic 12-Cup Programmable Coffeemaker unit has been manufactured to the strictest specifications and has been designed for use with the authorized accessories and replacement parts.

This warranty expressly excludes any defects or damages caused by accessories, replacement parts, or repair service other than those that have been authorized by Cuisinart.

This warranty does not cover any damage caused by accident, misuse, shipment or other than ordinary household use.

This warranty excludes all incidental or consequential damages. Some states do not allow the exclusion or limitation of these damages, so these exclusions may not apply to you.

### CALIFORNIA RESIDENTS ONLY:

California law provides that for In-Warranty Service, California residents have the option of returning a nonconforming product (A) to the store where it was purchased or (B) to another retail store that sells Cuisinart products of the same type.

The retail store shall then, at its discretion, either repair the product, refer the consumer to an independent repair facility, replace the product, or refund the purchase price less the amount directly attributable to the consumer's prior usage of the product. If the above two options do not result in the appropriate relief to the consumer, the consumer may then take the product to an independent repair facility, if service or repair can be economically accomplished. Cuisinart and not the consumer will be responsible for the reasonable cost of such service, repair, replacement, or refund for nonconforming products under warranty.

California residents may also, according to their preference, return nonconforming products directly to Cuisinart for repair, or if necessary, replacement, by calling our Customer Service Center toll-free at 1-800-726-0190.

Cuisinart will be responsible for the cost of the repair, replacement, and shipping and handling for such products under warranty.

### BEFORE RETURNING YOUR CUISINART PRODUCT

If you are experiencing problems with your Cuisinart product, we suggest that you call our Cuisinart Customer Service Center at 1-800-726-0190 before returning the product to be serviced. If servicing is needed, a representative can confirm whether the product is under warranty and direct you to the nearest service location.

Important: If the nonconforming product is to be serviced by someone other than Cuisinart's Authorized Service Center, please remind the servicer to call our Customer Service Center at 1-800-726-0190 to ensure that the problem is properly diagnosed, the product serviced with the correct parts, and the product is still under warranty.



# Cuisinart®

SAVOR THE GOOD LIFE®



Ice Cream  
Makers



Food  
Processors



Toaster Ovens



Blenders



Cookware



Griddles

Cuisinart offers an extensive assortment of top quality products to make life in the kitchen easier than ever. Try some of our other countertop appliances and cookware, and Savor the Good Life®.

**[www.cuisinart.com](http://www.cuisinart.com)**

©2010 Cuisinart  
150 Milford Road  
East Windsor, NJ 08520  
Printed in China

10CE113901

IB-7023A