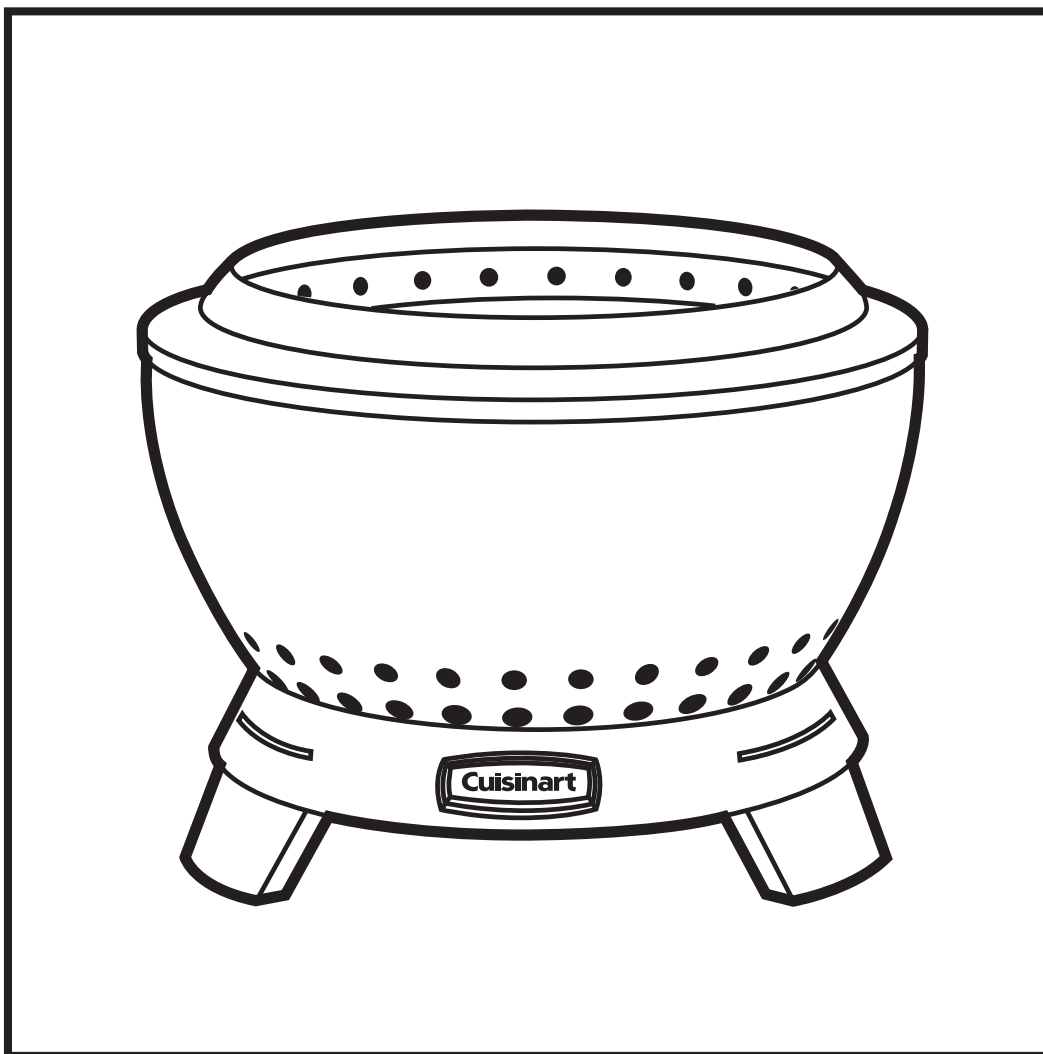


Cuisinart
Outdoors™

19.5" Cleanburn Fire Pit

MODEL NO: COH-1900



Customer Service Hotline
1-866-994-6390

DO NOT RETURN PRODUCT TO THE STORE

Before visiting your local retailer, please email consumercare@thefulhamgroup.com, call 1-866-994-6390, or visit www.thefulhamgroup.com. To best serve you, our Representatives are available to answer your calls Monday to Friday, 9 AM - 5 PM EST.

SAFETY INFORMATION

WARNINGS AND USAGE

IMPORTANT: ALL INSTRUCTIONS AND SAFEGUARDS ON THIS SECTION MUST BE FOLLOWED TO PREVENT DAMAGE AND/OR INJURY.

USE CAUTION AND COMMON SENSE WHEN USING YOUR OUTDOOR FIRE PIT. FAILURE TO ADHERE TO THE SAFETY WARNING AND GUIDELINES IN THE MANUAL COULD RESULT IN BODILY INJURY OR PROPERTY DAMAGE. SAVE THIS MANUAL FOR FUTURE REFERENCE.

IMPORTANT SAFETY INFORMATION

WARNING:

- For outdoor use only.
- Use only on level surfaces.
- Use only on brick, concrete, stone or other masonry surfaces.
- Do not use on lawns, wooden decks, artificial wood or any surfaces that are not fireproof.
- Keep the outdoor fire pit a minimum of 10 ft. away from buildings, structures, any flammable items and vehicles.
- Do not allow children to climb the product.
- Never leave fire pit unattended, especially when children and/or pets are nearby.
- When wood is burned slowly, it produces tar and other organic vapors that combine with expelled moisture to form creosote. The creosote vapors condense on relatively cooler surfaces like the exhaust vents. As a result, creosote residue accumulates on these surfaces. When ignited, this creosote makes an extremely hot fire. To prevent this do a deep clean on the internal components of the fire pit at least twice a year.
- Keep fire pit clean. When ash or creosote has accumulated, it should be cleaned to reduce risk of fire. See Care and Maintenance section.
- The surfaces of the fire pit will get very hot during regular use and can be a burn hazard. Do not leave unattended when children are present and keep away from combustible materials.
- To avoid accidental burns wear heat resistant gloves/mitts and use long handled tools when operating the fire pit.
- **NEVER** use gasoline, gasoline-type lantern fuel, kerosene, charcoal lighter fluid, or similar liquids to start or "freshen up" a fire in this appliance. Keep all such liquids well away from the appliance when in use.
- Never attempt to touch or move the fire pit during use or before it has completely cooled down.
- After a period of storage, inspect the fire pit for abrasion, wear or damage.
- Before covering your fire pit, make sure it has cooled completely.
- Do not operate this fire pit while under the influence of drugs, alcohol, or while fatigued.
- Do not use this fire pit unless it is completely assembled, and all parts are securely fastened and tightened.
- Never use under low hanging tree branches, trellises or overhangs of any kind including covered porches.
- Always use fire pit in accordance with all applicable local, state, and national codes. Contact your local fire department for details.
- When using the fire pit, exercise the same precautions you would with any open fire.
- Do not use fire pit until you have read the operating instructions and user warnings.
- Fire pit is designed for use with standard firewood logs and may not function properly with other fuel sources.
- Do not store or use gasoline or any other flammable vapors or liquids in the vicinity of the fire pit.
- Do not store LP gas cylinders within 30 ft of fire pit while in use.
- Do not use fire pits near automobiles, trucks, vans, or recreational vehicles.

SAFETY INFORMATION

- Keep the area around the fire pit clear and free of any combustible materials, gasoline, or any other flammable liquids. Do not use fire pit in an explosive environment.
- Do not wear flammable or loose clothing when operating the fire pit.
- Do not remove any coals or ash or clean the fire pit until the coals and ash are completely extinguished and the unit has completely cooled.
- Do not lean over fire pit when lighting or when in use.
- Avoid breathing smoke from the fire and avoid getting smoke in your eyes.
- Unless in an emergency, try to avoid using water to extinguish the fire to stop it as it could cause damage to the fire pit as well as injury to the users.
- Serious injury, death, and/or property damage may occur if the above instructions are not followed exactly.

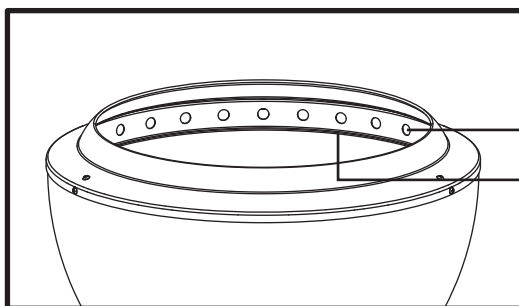
CALIFORNIA PROPOSITION 65 WARNING

- **This product can expose you to chemicals including Carbon Monoxide which is known to the State of California to cause birth defects or other reproductive harm. For more information go to: www.P65Warnings.ca.gov**

GENERAL WARNINGS



- Never use gasoline, alcohol or volatile fluids to start or restart fires.
- For longer product life, keep fires to a respectable size, do not overload.
- The outdoor fire pit is for adult use only.
- Before each use make sure the outdoor fire pit is in good working condition.
- Do not leave unattended at anytime during use.
- Do not use in above normal windy conditions.
- Loading wood above the MAX Fuel-Fill line will reduce the effectiveness of the Cleanburn Smokeless System which can result in more smoke.



Ventilation Holes

MAX Fuel-Fill Line

- Use caution when tending the fire, as surfaces will become very hot while in use.
- Use caution after the fire has been extinguished. Surfaces will remain hot for some time.
- The outdoor fire pit must be completely cooled off and all embers must be extinguished before any cover can be used.
- **CARBON MONOXIDE HAZARD!** Burning wood or charcoal produces carbon monoxide, which has no odor and can cause death if burned in enclosed areas. Never burn wood or charcoal inside homes, vehicles, tents or any other enclosed areas.

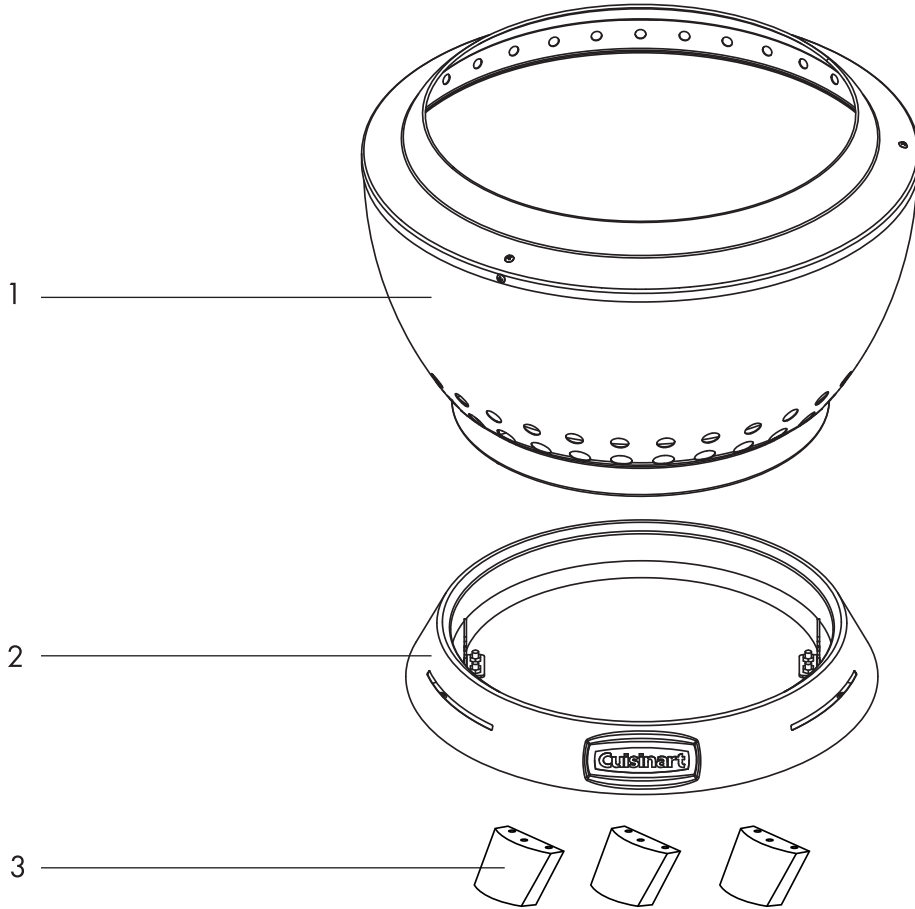
TABLE OF CONTENTS

Cover Page.....	1
Safety Information.....	2
Table of Contents.....	4
Exploded View.....	5
What's in the Box.....	5
Assembly Instructions.....	6
Operation.....	8
Care and Maintenance.....	8
Warranty and Replacement Parts.....	9
Notes.....	11

EXPLODED VIEW

Carefully remove all pieces from the carton and make sure that you have all parts listed (refer to components list). If you are missing parts, please contact Consumer Care at 1-866-994-6390 for further assistance.

Use caution when removing the parts from packaging. It is recommended to wear gloves when assembling and handling loose parts.



WHAT'S IN THE BOX

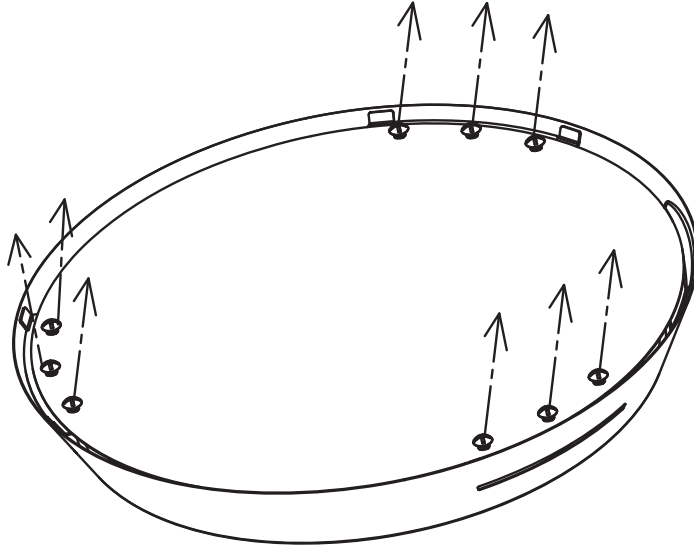
COMPONENTS

PART	DESCRIPTION	QTY
1	Main Body with Wind Guard	(x1)
2	Base	(x1)
3	Legs	(x3)

ASSEMBLY INSTRUCTIONS

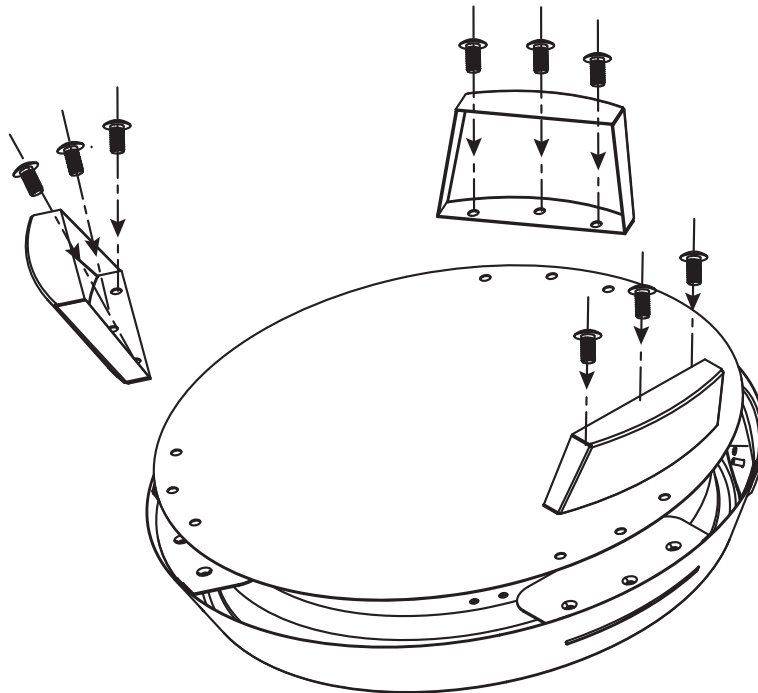
STEP 1

- Using a Phillips screwdriver, remove all 9 screws from the bottom of the Base (2), and place aside.
NOTE: Leave the heat shield in its current location.



STEP 2

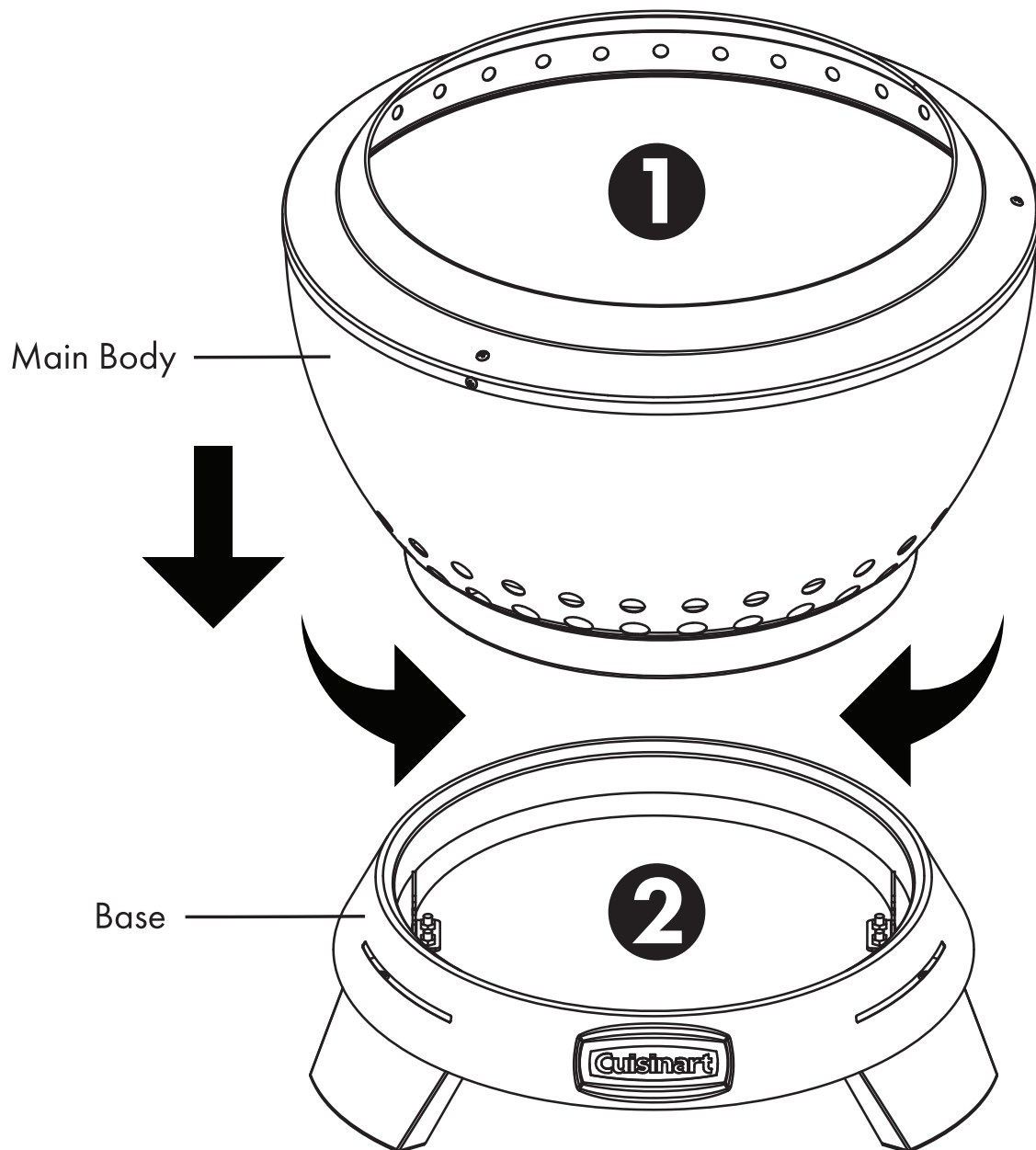
- Attach each of the three Legs (3) with the 9 screws just removed, keeping bottom heat shield in same location and tighten.



ASSEMBLY INSTRUCTIONS

STEP 3

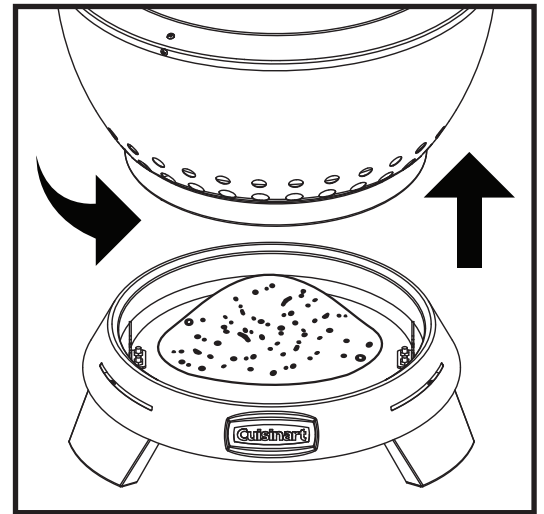
- Flip the Base (2) right side up and lower the Main Body (1) into it.
 - Rotate Main Body (1) to the left or right until rotation stops.
- NOTE:** Test the connection by lifting up the Main Body (1) section to ensure the Base (2) is connected.



OPERATION

ADDING FUEL

- We recommend for fuel choice to use any hardwood species like: Oak, Maple, Birch, Hickory, etc.. in either logs or chunks style, especially when cooking food over it like S'mores and more!
NOTE: Do not use softwoods like Pine, Spruce as it will contain sap that will burn and coat the fire bowl with residue and also is not food-safe to cook over.
- Place fire pit on level ground away from windy locations if possible.
- We recommend using dry wood logs or chunks with this fire pit. Wet wood will be more difficult to light and produces more smoke.
- This fire pit is most easily ignited with either fire starters or crumpled paper. If using fire starters use 3-4 and place them in locations where your fuel is directly above it. If using paper, loosely crumple 6-8 sheets and place them at the bottom of the fire pit, then arrange your fuel on top. When ready to start, light the fire starter or crumpled paper.
- If using FIREWOOD, best log size is 16 inches or smaller. Place 2 small logs at the bottom of the bowl, then add 2-3 logs above them in a cross layer. Ensure there is space between each log so air and flames can flow freely. Add more firewood as needed.
- If using CHUNKS, or odd shaped firewood, add as much as you want to start with, but just keep wood below the (MAX Fuel-Fill Line) as your guide. Continue to replenish the fuel to extend your fires heat output or extend the burn time. Add more firewood as needed.
NOTE: The smokeless function of this fire pit is most effective when the bottom and side walls of the inside bowl are hot. As the wood burns and becomes coals, we recommend using a Fire Pit Poker, like our Cleanburn Fire Pit Poker (Model# CHA-860), sold separately, to move the hot coals around the bottom and outer walls of the bowl to help that process.
- Overfilling the fire pit above the top ventilation holes will decrease the efficiency and will produce more smoke until it burns and settles lower in the bowl.



REMOVING ASH

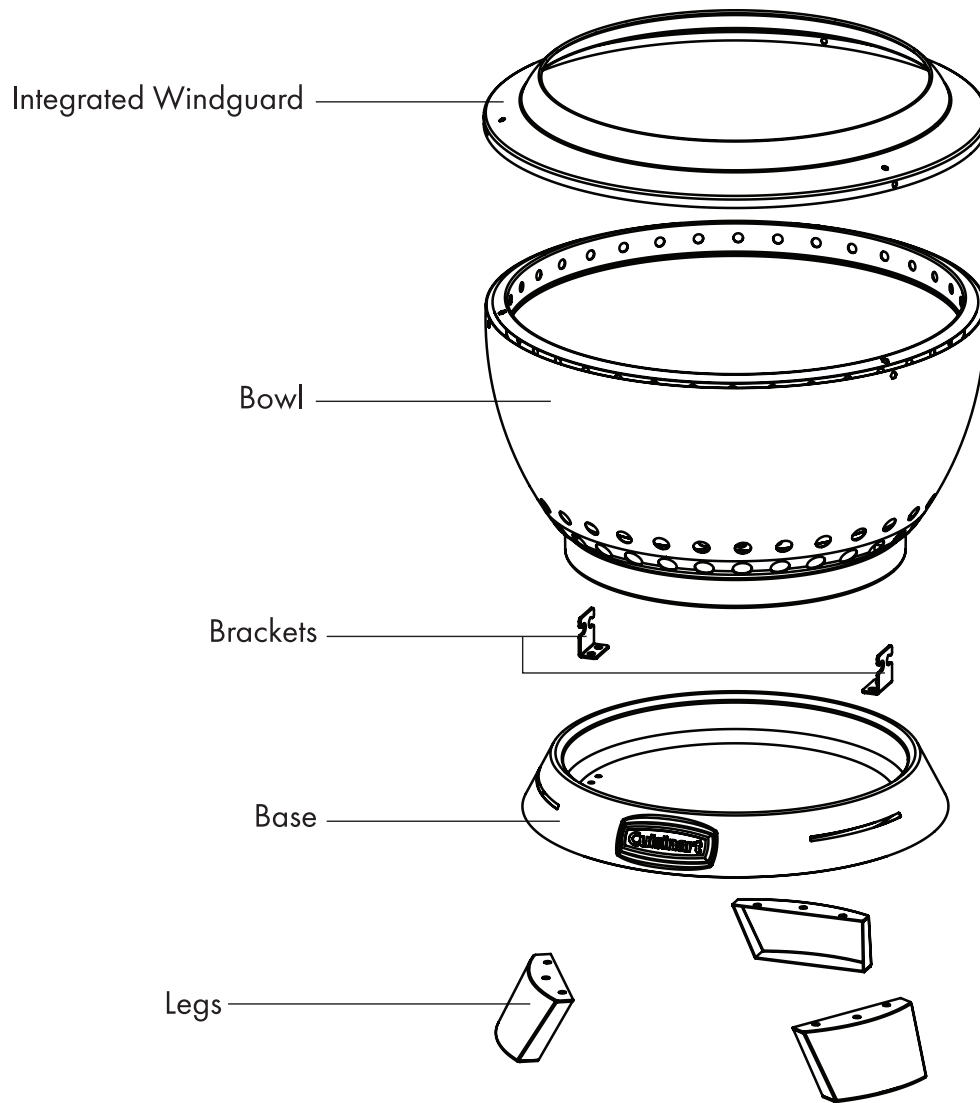
- Once the fire has extinguished and the unit has fully cooled, brush any remaining ash through the holes in the bottom plate of the main body so that it falls through and into the base.
- Separate the main body from the base by holding the base in place and rotating the main body to unlock the bottom tabs. When it is unlocked you can lift the bowl up off the base and set it aside. All of the ash will be captured in the ash tray base, which can then be poured out easily. It's that simple, with no fuss or mess!

CARE AND MAINTENANCE

- Clean out ashes after each use only after the fire pit is completely cooled. See "Removing Ash" above.
- Do not attempt to clean while hot.
- Store the fire pit in a dry place out of the weather.
- **ALWAYS** cover your fire pit when not in use. We recommend the Cleanburn Fire Pit Cover (model #CHC-801P), sold separately. Only cover the fire pit after it has completely cooled down.

WARRANTY AND REPLACEMENT PARTS

EXPLODED VIEWS



PARTS LIST

DESCRIPTION	QTY
Wind Guard	(x1)
Bracket	(x1)
Legs	(x1)
Leg Screws (M6 x 12)	(x1)

NOTE: For other spare part inquiries, please contact our Consumer Care team by email at consumercare@thefulhamgroup.com or phone at 1-866-994-6390, Monday to Friday 9 AM - 5 PM EST.

WARRANTY AND REPLACEMENT PARTS

WARRANTY

- PROOF OF PURCHASE is required to access this warranty program, which is in effect from the date of purchase.
- Customers will be subject to parts, shipping, and handling fees if unable to provide proof of the purchase or after the warranty has expired.
- This limited warranty applies to the functionality of the product ONLY and does not cover cosmetic issues such as scratches, dents, corrosion or discoloring by heat, abrasive and chemical cleaners or any tools used in the assembly or installation of the appliance, surface rust, or the discoloration of stainless steel surfaces. Paint is not warranted and will require touch up. We recommend high-heat paint with matte finish, found at your local Hardware store. RUST is not considered a manufacturing or materials defect.
- This limited warranty will not reimburse you for the cost of any inconvenience, food, personal injury or property damage.

LIMITED WARRANTY

- All parts warranted one-year from date of purchase.

WARRANTY PROVISIONS

- This warranty is non-transferable and does not cover failures due to misuse of improper installation or maintenance.
- This warranty is for replacement of defective parts only. We are not responsible for incidental or consequential damages or labor costs.
- This warranty does not cover corrosion or discoloration after the grill is used, or lack of maintenance, hostile environments, accidents, alterations, abuse or neglect.
- This warranty does not cover damage caused by heat, abrasive and chemical cleaners, or any damage to other components used in the installation or operation of the fire pit.
- Paint is not warranted and may require touch-up.

DISCLAIMER OF IMPLIED WARRANTIES; LIMITATION OF REMEDIES

- Repair or replacement of defective parts is your exclusive remedy under the terms of this limited warranty.
- Manufacturer will not be responsible for any consequential or incidental damages caused by weather. This limited warranty or any applicable implied warranty does not cover damage resulting from acts of God, improper care and maintenance, grease fire, accident, alteration, replacement of parts by anyone other than manufacturer, misuse, transportation, commercial use, hostile environments (inclement weather, act of nature, animal tampering), improper installation not in accordance with local codes or printed manufacturer instructions.
- Due to extremely high temperatures, discoloration of the fire pit will occur and is considered normal. Stainless steel has an increased resistance to rust; it is not rust proof. Prolonged exposure to moisture may result in increased staining and/or rusting. Due to extremely high temperatures inside, the fire pit may show signs of staining/rust. This is normal and will not affect normal use.
- To register your Cuisinart product, please visit <https://cuisinart.registria.com>.
- For FAQ's and replacement parts, please contact us at consumercare@thefulhamgroup.com. For our consumer care department, please contact us at consumercare@thefulhamgroup.com or call 1-866-994-6390 from 9:00am to 5:00pm Eastern time, Monday through Friday.

Get Social With Us @cuisinartoutdoors     YouTube

©2023 Cuisinart
Cuisinart Outdoors™ is a registered trademark under
license to The Fulham Group.
Distributed by The Fulham Group, Newton, MA. 02466 U.S.A.
Contact us at consumercare@thefulhamgroup.com
MADE IN CHINA. One Year Limited Warranty.

2308

Cuisinart
Outdoors™

Model# COH-1900
North American Distributer:
The Fulham Group
Newton, MA. 02466