

Starlite Electronic Pre-Press System

Reference: CDF-300 IB-5722
Size: 229 mm X 152 (mm) (NEW)
Material:Cover: 157GSM MATT ARTPAPER
Inside: 120GSM GLOSS ARTPAPER
Coating: UV COATING IN COVER
Color: COVER: 4C+1C(BLACK); INSIDE: 1C+1C

Client: G0028
Starlite No: 83359IBB
Proof: 1ST
Handled By:Z006296

Cyan

Magenta

Yellow

Black

5	10	20	30	40	50	60	70	80	90	100
5	10	20	30	40	50	60	70	80	90	100
5	10	20	30	40	50	60	70	80	90	100
5	10	20	30	40	50	60	70	80	90	100

Cuisinart™

INSTRUCTION BOOKLET

Recipe
Booklet
Reverse Side



Cuisinart™ Deep Fryer

CDF-300

For your safety and continued enjoyment of this product, always read the instruction book carefully before using.

A IB-5722

IMPORTANT SAFEGUARDS

When using electrical appliances, basic safety precautions should always be followed, including the following:

1. **READ ALL INSTRUCTIONS.**
2. Before use, check that the voltage power corresponds to the one shown on the appliance nameplate.
3. Always attach plug to appliance first, then plug cord into the wall outlet. To disconnect, turn off thermostat control knob, then remove plug from wall outlet.
4. Connect the appliance only to electrical sockets which have a minimum load of 15A. If the sockets and the plug on the appliance should prove incompatible, get a professionally qualified technician to replace the socket with a more suitable one.
5. Unplug from outlet when not in use and before cleaning. Allow appliance and the oil to cool completely before putting on or taking off parts, and before cleaning or draining the appliance.
6. Do not let cord hang over edge of table or counter, or touch hot surface. (See Fig. 1)
7. To protect against electric shock do not immerse cord, plug and base unit in water or other liquid.
8. Close supervision is necessary when any appliance is used by or near children.
9. Do not touch hot surface; use handles or knob.
10. Be sure handle to Fryer Basket is properly assembled and locked in place. See detailed assembly instruction.
11. Do not operate any appliance with a damaged cord or plug (See Fig. 1) or after an appliance malfunctions, or has been damaged in any



manner. Return appliance to the nearest authorized service facility for examination.

12. Do not place on or near a hot gas or electric burner or a heated oven.
13. Do not use outdoors.
14. Extreme caution must be used when moving an appliance containing hot oil or other liquids.
15. To assure safe operation, oversized foods must not be inserted into the appliance.
16. The use of accessories not recommended by the appliance manufacturer may cause injuries.
17. Do not use appliance for other than intended use.

SAVE THESE INSTRUCTIONS FOR HOUSEHOLD USE ONLY

SPECIAL CORD SET INSTRUCTIONS

A short power supply cord is provided to reduce the risk resulting from becoming entangled in or tipping over a long cord. A longer detachable power-supply cord or extension cord is not recommended for use with Deep Fryer.

NOTICE

This appliance has a polarized plug (one blade is wider than the other). To reduce the risk of electric shock, this plug is intended to fit into a polarized outlet only one way. If the plug does not fit fully into the outlet, reverse the plug. If it still does not fit, contact a qualified electrician. Do not attempt to modify the plug in any way.

CONTENTS

Important Safeguards	1
Introduction	2
Parts and Features	2
Before First Use	2
Assembly Instructions	3
Operating Instructions	4
Cleaning and Care	4
Permanent Washable Filter	5
Warranty	5

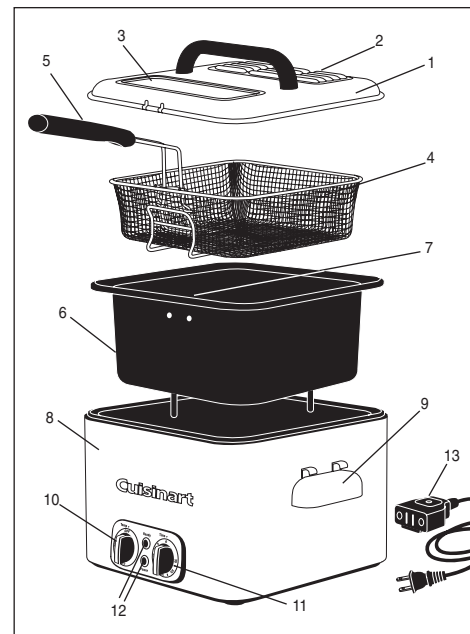
INTRODUCTION

Get ready to enjoy restaurant-quality deep fried foods – family favorites or your own menu ideas – without leaving the house. The heating element of the Cuisinart™ Deep Fryer is affixed to the underside of the frying bowl to keep oil at peak frying temperature while food is cooking. Wait until you taste the results! The basket is wider, the removable nonstick frying bowl lifts out to clean, and the controls, indicator lights and timer make the whole process so easy you'll want to try every one of the delicious recipes we've included in the back of the book!

PARTS AND FEATURES

1. Lid: Brushed stainless steel lid with cool-touch handle
2. Filter cover: Stainless steel cover for permanent filter
3. Viewing window: Wide viewing window
4. Basket: Extra-large frying basket
5. Handle: Detachable basket handle
6. Removable bowl: Nonstick coated bowl with embossed marks for Min (1.5L) and Max (2.2L) oil capacity. The heating element is affixed to the bottom of the bowl.

7. Basket clip: Stainless steel basket clip to support basket above oil for draining (not shown).
8. Base unit: Brushed stainless steel housing with embossed Cuisinart™ logo
9. Cool-touch handles: Metal clip above right side handle to hold lid.
10. Thermostat knob: Adjustable temperature control
11. Timer Knob: 30-minute timer
12. Indicator lights: Red indicator light signals power on; green indicator light signals ready to cook
13. Detachable power cord
14. Feet: Nonskid feet (not shown)



BEFORE FIRST USE

Remove all packaging materials and any promotional labels or stickers from your deep fryer. Be sure all parts (listed above, Parts and Features) of your new appliance have been included before discarding any packaging materials. You may want to keep the box and packing materials for use at a later date.

Before using your Cuisinart™ Deep Fryer for the first time, remove any dust from shipping by wiping the base with a moist cloth. Thoroughly clean the removable bowl, lid, and basket. The removable bowl can be immersed in water. The lid and basket are dishwasher-safe. Never immerse the base unit in water; no water is allowed to penetrate the base unit.

ASSEMBLY INSTRUCTIONS

1. Place base on a clean, flat surface where you intend to cook.

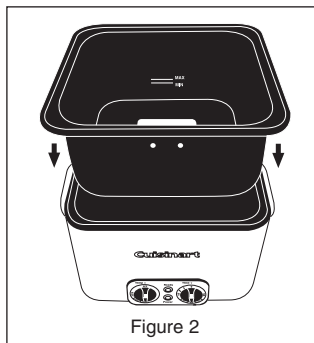


Figure 2

2. Insert the removable bowl with the Min/Max marker towards the rear of the fryer; basket clip in front (Fig. 2). This is the only orientation that assures the heating element joins the connector (Fig. 3).

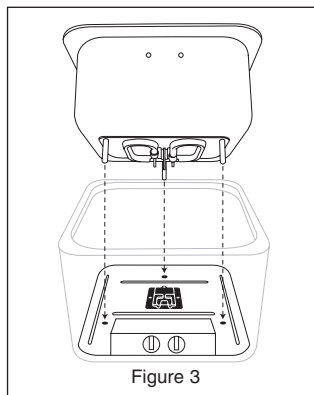


Figure 3

3. Properly attach the handle to the basket. Squeeze together both ends of the handle and insert both ends into bracket holes. (Fig. 4A) Gently release grip while keeping ends in bracket, firmly pull back handle to snap into position (Fig. 4B).

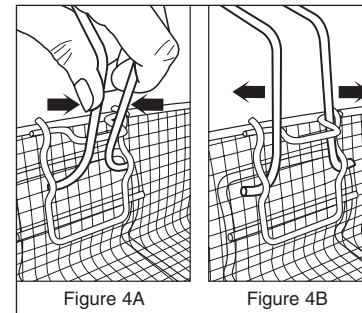


Figure 4A

Figure 4B

4. Make sure unit is turned off at thermostat dial.

5. Connect the magnetic power cord to the base unit (Fig. 5). Never plug cord into outlet unless magnetic end is attached to deep fryer.

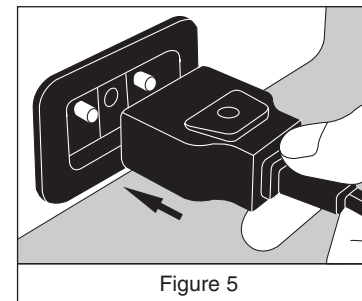


Figure 5

6. Plug the cord into a standard electrical outlet.

7. Oil must be added before turning on fryer. Never operate deep fryer without oil at least to the Min marker in bowl.

OPERATING INSTRUCTIONS

Once the deep fryer is assembled properly and you are ready to begin frying:

1. Pour fresh oil into the removable bowl between the Min and Max markers. We recommend Max (2.2L) level for most recipes. The embossed markers are indicated on the removable bowl.
2. See assembly illustration (Fig. 5) regarding power cord. Always attach cord to fryer before plugging into standard electrical outlet.
3. Turn the temperature knob clockwise to the recommended temperature setting. The power light will turn to red and the oil will begin to heat up. Hang the basket (empty) (Fig. 6).
4. After approximately 15 minutes, the ready light will turn green indicating desired frying temperature has been reached. Place food in the basket in a single layer with space between them. For optimal results, use only a single layer and do not stack items. Gently submerge basket into hot oil to begin frying.
5. The mechanical timer can be set to a recommended time. To set, turn the timer past 10-min mark, then set desired time. The timer signal (a ding) reminds you that your cooking time has been completed. **Important: The signal does not automatically shut off the unit. The thermostat knob must be turned to off to stop frying.**

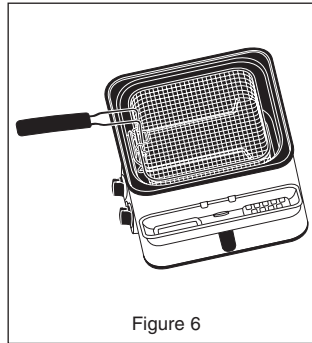


Figure 6

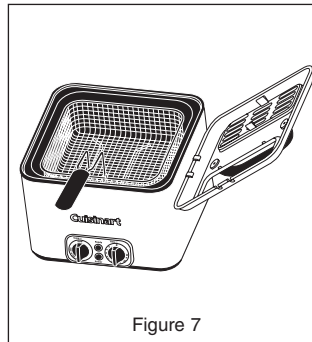


Figure 7

6. We recommend keeping the lid on during frying.
7. Once the food is done, open the lid and hang it on the lid hook (Fig. 7), then raise the basket and hook it on the basket hook to drain oil.
8. As soon as oil has drained, remove the basket and place food on a plate lined with paper towels.

WARNING

- **Never turn on unit without oil in the removable bowl. Do not use the deep fryer when the oil is below the minimum level.**
- **The deep fryer should be connected to power supply only after it has been filled with oil.**
- **NEVER HEAT UP FRYER WHILE EMPTY! If this occurs, the thermal-cutoff will automatically shut off power. PLEASE NOTE: THE UNIT IS NO LONGER USEABLE AFTER THE THERMAL-CUTOFF IS ACTIVATED.**

CLEANING AND CARE

Caution: Before cleaning appliance, make sure it has cooled down completely.

The Cuisinart™ Deep Fryer is designed to be especially easy to clean. The basket, basket handle, lid with filter are all top shelf dishwasher safe. The removable bowl with heating element is fully immersible for washing.

1. Make sure the oil is cool enough (about 2 hours after use) and the deep fryer is unplugged before cleaning.
2. Either discard used oil or filter it for future use. Bowl is designed so oil can be poured from any corner without spills and drips. Pour oil into a sealable container to discard or save for future use. Please refer to the tips and hints section in the Recipe Booklet for instruction on how to properly filter and re-use oil.
3. To clean exterior, wipe with a soft dry cloth. Never use an abrasive cleaner or harsh pad.

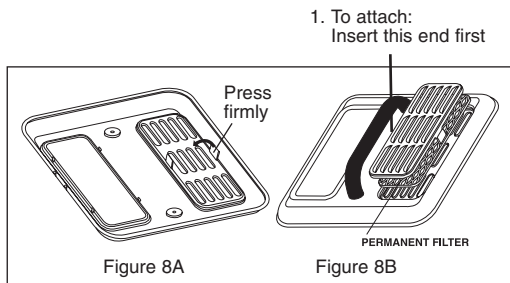
4. Lid, basket with handle and lid filter can be washed in the sink or dishwasher. It's not necessary to remove filter from lid. Removable bowl slips right out of the base and is fully immersible. Wash with warm soapy water and rinse well.
5. The fryer should be thoroughly cleaned and dried before being stored.

PERMANENT WASHABLE FILTER

It's not necessary to remove filter.

The entire lid can be washed together in sink or dishwasher. Should you desire to wash filter separately and/or replace, remove filter cover for access. From the underside of lid, press tab of the filter cover towards center, as indicated by the arrows in figure 8A. This will release the filter and cover from the lid. To replace cover, insert the tab into the open slot with vents facing away from lid handle. See figure 8B. Then press the front cover down firmly until it snaps into place.

Filter can be washed in warm soapy water and rinsed. Do not put filter in dishwasher outside of lid.



law, this warranty is not available to retailers or other commercial purchasers or owners. We warrant that your Cuisinart™ Deep Fryer will be free of defects in material or workmanship under normal home use for three years from the date of original purchase. We suggest that you complete and return the enclosed product registration card promptly to facilitate verification of the date of original purchase. However, return of this product registration card does not eliminate the need for the consumer to maintain the original proof of purchase in order to obtain the warranty benefits. In the event that you do not have proof of purchase, the purchase date for purposes of this warranty will be the date of manufacture.

If your Deep Fryer should prove to be defective within the warranty period, we will repair it or, if we think it necessary, replace it. To obtain warranty service, please call our Consumer Service Center toll-free at 1-800-726-0190, or write to:

Cuisinart
150 Milford Road
East Windsor, NJ 08520

To facilitate the speed and accuracy of your return, please enclose \$10.00 for shipping and handling of the product. Please also be sure to include a return address, daytime phone number, description of the product defect, product serial number (stamped on bottom of product base), and any other information pertinent to the product's return.

Please pay by check or money order. (California residents need only supply proof of purchase and should call 1-800-720-0190 for shipping instructions).

NOTE: For added protection and secure handling of any Cuisinart® product that is being returned, we recommend you use a traceable, insured delivery service. Cuisinart cannot be held responsible for in-transit damage or for packages that are not delivered to us. Lost and/or damaged products are not covered under warranty.

Your Cuisinart™ Deep Fryer has been manufactured to strict specifications and has been designed for use with the Cuisinart™ Deep Fryer accessories and replacement parts. These warranties expressly exclude any defects or damages caused by accessories, replacement parts, or repair service other than those that have been authorized by Cuisinart.

WARRANTY

Limited Three-Year Warranty

This warranty supersedes all previous warranties on the Cuisinart™ Deep Fryer. This warranty is available to consumers only. You are a consumer if you own a Cuisinart™ Deep Fryer that was purchased at retail for personal, family, or household use. Except as otherwise required under applicable state

These warranties do not cover any damage caused by accident, misuse, shipment, or other than ordinary household use. These warranties exclude all incidental or consequential damages. Some states do not allow the exclusion or limitation of incidental or consequential damages, so the foregoing limitation may not apply to you.

California Residents Only

California law provides that for In-Warranty Service, California residents have the option of returning a nonconforming product (A) to the store where it was purchased or (B) to another retail store which sells Cuisinart brand products of the same type. The retail store shall then, according to its preferences, either repair the product, refer the consumer to an independent repair facility, replace the product, or refund the purchase price less the amount directly attributable to the consumer's prior usage of the product. If either of the above two options does not result in appropriate relief to the consumer, consumer may then take the product to an independent repair facility if service or repair can be economically accomplished.*

Cuisinart and not the consumer will be responsible for the reasonable cost of such service, repair, replacement, or refund for nonconforming products under warranty.

California residents may also, according to their preference, return nonconforming products directly to Cuisinart for repair or, if necessary, replacement by calling our Consumer Service Center toll-free at 1-800-726-0190. Cuisinart will be responsible for the cost of the repair, replacement, and shipping and handling for such nonconforming products under warranty.

Before Returning Your Cuisinart Product

If you are experiencing problems with your Cuisinart® product, we suggest that you call our Consumer Service Center at 1-800-726-0190 before returning the product for servicing. Often, our Consumer Service Representatives can help solve the problem without having the product serviced. If servicing is needed, a representative can confirm whether the product is under warranty and direct you to the nearest service location.

*Important: If the nonconforming product is to be serviced by someone other than Cuisinart's Authorized Service Center, please remind the servicer to call

our Consumer Service Center at 1-800-726-0190 to ensure that the problem is properly diagnosed, the product is serviced with the correct parts, and to ensure that the product is still under warranty.

© 2005 Cuisinart
Cuisinart® is a registered trademark of Cuisinart
150 Milford Road
East Windsor, NJ 08520
Printed in China
04CU13236