

Cuisinart® INSTRUCTION AND RECIPE BOOKLET



Mix It In™ Soft Serve Ice Cream Maker

ICE-48 Series

For your safety and continued enjoyment of this product, always read the instruction book carefully before using.

IMPORTANT SAFEGUARDS

When using an electrical appliance, basic safety precautions should always be taken to reduce the risk of fire, electric shock, and/or injury, including the following:

1. **READ ALL INSTRUCTIONS BEFORE USING.**
2. To protect against risk of electric shock, do not place cord, plug, or base of appliance in water or any other liquids.
3. This appliance is not intended for use by persons (including children) with reduced physical, sensory, or mental capabilities, or lack of experience and knowledge, unless they are closely supervised and instructed concerning use of the appliance by a person responsible for their safety. Close supervision is necessary when any appliance is used by or near children. Children should be supervised to ensure that they do not play with the appliance.
4. Turn the appliance OFF, then unplug from the outlet when not in use, before assembling or disassembling parts, and before cleaning. To unplug, grasp the plug and pull from the outlet. Never pull from the power cord. Make sure appliance is OFF when not in use, before putting on or taking off parts, and before cleaning.
5. Avoid contact with moving parts. Keep hands, hair, clothing, as well as spatulas and other utensils away from appliance during operation to reduce the risk of injury and/or damage to the appliance.
6. Do not operate any appliance with a damaged cord or plug, or after the appliance malfunctions or is dropped or damaged in any manner. Contact the manufacturer for information on examination, repair, or adjustment.
7. The use of attachments other than those made by Cuisinart may cause fire, electric shock or risk of injuries.
8. Do not use outdoors.

9. Do not let cord hang over edge of table or counter, or touch hot surfaces.
10. Keep hands and utensils out of freezer bowl while in use to reduce the risk of injury to persons or damage to the appliance.
DO NOT USE SHARP OBJECTS OR UTENSILS INSIDE THE FREEZER BOWL! Sharp objects will scratch and damage the inside of the freezer bowl. A rubber spatula or wooden spoon may be used when the appliance is in the OFF position.
11. This appliance is for household use. Any servicing other than cleaning and user maintenance should be done only by authorized Cuisinart repair personnel.
12. Do not use the freezer bowl on flames, hot plates or stoves. Do not expose to heat source. Do not wash in dishwasher; doing so may cause risk of fire, electric shock or injury.
13. Close supervision is necessary when any appliance is used by or near children.
14. Do not use appliance for other than its intended use.

SAVE THESE INSTRUCTIONS FOR HOUSEHOLD USE ONLY

SPECIAL CORD SET INSTRUCTIONS

A short power supply cord is provided to reduce the risks resulting from becoming entangled in or tripping over a longer cord.

Longer extension cords are available and may be used if care is exercised in their use.

If a long extension cord is used, the marked electrical rating of the extension cord should be at least as great as the electrical rating of the appliance. The longer cord should be arranged so that it will not drape over the countertop or tabletop where it can be pulled on by children or animals, or tripped over.

NOTICE

This appliance has a polarized plug (one blade is wider than the other). To reduce the risk of electric shock, this plug will fit in a polarized outlet only one way. If the plug does not fit fully in the outlet, reverse the plug. If it still does not fit, contact a qualified electrician. Do not attempt to defeat this safety feature.

CAUTION

This appliance is for household use. Any servicing other than cleaning and user maintenance should be performed by an authorized service representative.

- Do not immerse base in water.
- To reduce the risk of fire or electric shock, do not disassemble the base. **NOTE:** The base does not contain any user-serviceable parts.
- Repairs should be made only by authorized personnel.
- Check voltage to be sure that the voltage indicated on the nameplate agrees with your voltage.
- Never clean with scouring powders or hard implements.

CONTENTS

Important Safeguards	2
Before First Use	3
Freezing Time and Bowl Preparation	3
Features and Benefits	4
Assembly	5
Making Soft Serve Ice Cream and Frozen Desserts	5
Recommended Mix-ins	6
Suggested Liquid Toppings	6
Disassembling for Cleaning	6
Cleaning	6
Storage	6
Troubleshooting	7
Warranty	8
Recipes	9

BEFORE FIRST USE

DO NOT immerse this product in water. Wipe it with a damp cloth. Wash the lid, freezer bowl, mixing arm, topping containers, topping chute, and drip tray in warm, soapy water to remove any dust or residue from the manufacturing and shipping process. DO NOT clean any of the parts with abrasive cleaners or hard implements.

FREEZING TIME AND BOWL PREPARATION

The freezer bowl must be completely frozen before you begin your recipe. Before freezing, wash and dry the bowl. Wrap it in a plastic bag to prevent freezer burn. We recommend that you place the freezer bowl in the back of your freezer where it is coldest. **Be sure to place the freezer bowl on a flat surface in its upright position for even freezing.** The length of time needed for the bowl to freeze completely depends on how cold your freezer is. For the most convenient frozen desserts, leave the bowl in the freezer at all times. You can take it out any time for immediate use. In general, freezing time should be a minimum of 24 hours. To determine whether the bowl is completely frozen, shake it. If you do not hear liquid moving, the cooling liquid is frozen.

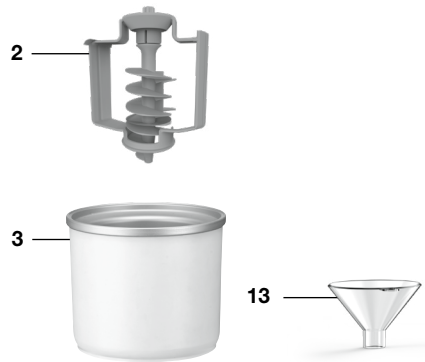
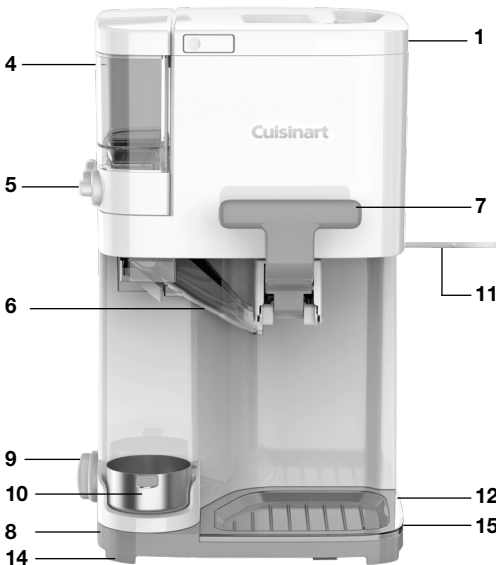
Reminder: Your freezer should be set to 0°F to ensure proper freezing.

REFERENCE CARD

If you lose the paper instruction booklet, there is a QR code to access the online instruction booklet and recipes. Pull the "INFO" tray on the side of the drip tray (part #12 on page 4) and scan the QR code.

FEATURES AND BENEFITS

- 1. Easy-Lock Lid with Opening** – Lid is designed to remove and lock easily. An ingredient opening allows you to pour ingredients directly through the top and watch the freezing process.
- 2. Mixing Paddle** – Mixes and aerates ingredients in freezer bowl to create smooth, soft ice cream.
- 3. 1½-Quart Freezer Bowl** – Contains cooling liquid within a double-insulated wall to create fast and even freezing. Double wall keeps the bowl cool and at an even temperature.
- 4. Three Topping Containers** – Dispense the mix-ins of your choice. The three topping containers dispense mix-ins such as sprinkles, mini chocolate chips, hard-shelled candies, and many more. The topping containers can dispense and mix add-ins into the ice cream or they can be taken off the machine to add toppings onto ice cream right at the table.
- 5. Topping Dispensing Knobs** – Turn one of three knobs to dispense the mix-ins of your choice into your soft ice cream.
- 6. Topping Chute** – Mix-ins are dispensed from the chute into your ice cream cone or bowl while you dispense ice cream. Removable for easy cleaning.
- 7. Dispensing Handle Assembly** – Dispenses soft ice cream when handle is pulled down. Removable for easy cleaning.
- 8. Base** – Contains heavy-duty motor strong enough to make and dispense ice cream.
- 9. Power Control Knob**
- 10. 4 oz. Keep Warm Cup and Heating Plate** – Keep liquid toppings warm.
- 11. Cone Holder** – Conveniently holds a stack of ice cream cones. Can hold both wafer-style and sugar cones.
- 12. Removable Drip Tray** – Can be removed for easy cleaning.
- 13. Mix-in Gauge** – Check the size of mix-ins by dropping them through. Mix-ins that do not fit through will clog the ice cream maker.
- 14. Rubber Feet** – Non-slip feet keep base stationary during use.
- 15. Removable Quick Reference Card (Not Shown)**



ASSEMBLY

1. Insert the topping containers into the indent on the top left side of the Cuisinart® Mix It In™ Soft Serve Ice Cream Maker so that they are firmly in place. The topping containers with the rounded edge should be inserted into the front and rear spaces.
2. Place the cover over each of the topping containers.
3. Attach the dispensing handle assembly by inserting the round opening under the top part of the unit, aligning the handle with "LOCK" on the side of the unit, then rotating the assembly clockwise until it locks into place (the Dispensing Handle should be in the center of the front of the unit).
4. Slide the topping chute into the space provided under the topping containers. Be sure to slide it all the way in until it snaps in place (the Dispensing Handle must be in the upright position).
5. Place the drip tray on the base under the dispensing handle.
6. Place the keep warm cup on the warming plate, if heating up toppings.

MAKING SOFT SERVE ICE CREAM AND FROZEN DESSERTS

1. Fill the topping containers with the desired mix-ins using the mix-in gauge.
2. Do not place liquid toppings in toppings containers. Liquid toppings should be placed in keep warm cup over the heater. Do not exceed 4 oz. of liquid toppings in keep warm cup.
NOTE: keep warm cup should only be used to keep liquid toppings warm.
3. Use Cuisinart's recipes from the pages that follow. Do not fill the freezer bowl higher than ½ inch from the top, as the frozen dessert base will increase in volume during the freezing process. For best results, prepare frozen dessert base in a container from which it is easy to pour.

4. Push the upper part of the mixing paddle into the hole on the bottom of the lid.
5. Remove the freezer bowl from the freezer. (Remove plastic bag if you have wrapped freezer bowl.) Lift the lid and place freezer bowl inside the base.
NOTE: Bowl will begin to defrost quickly once it has been removed from freezer. Use immediately after removing from freezer.
6. Place lid with mixing paddle on base and push down until it locks into place.
7. Turn the power control knob to "Ice Cream," if only preparing ice cream. Turn the dial to "Ice Cream + Warm," if preparing ice cream and warming a liquid topping. Mixing paddle will begin to turn and the warming heater will start if selected.
8. Add frozen dessert base to the freezer bowl by pouring through the opening in the lid.
9. Soft ice cream will be finished in as little as 30 minutes. The time will depend on the recipe and volume of the dessert you are making. Frozen dessert base should be refrigerated to reduce mixing time.

NOTE: Ensure optimal soft serve consistency by checking ice cream at least 5 minutes before specified finish time. If it does become too hard to dispense, simply remove the freezer bowl, scoop, serve, and enjoy!

10. Hold an ice cream cone or bowl 1 inch below the ice cream chute and pull down the handle to dispense the ice cream. Turn cone or bowl as you dispense to swirl ice cream.
11. Turn desired knob(s) to add toppings of your choice to soft serve ice cream or dessert.
12. When finished filling the cone or bowl, push the handle back up to stop the flow of ice cream.

NOTES: Some liquid may initially come out of the dispensing handle assembly when first pulled down. Use a cup to collect this liquid, pour liquid back into bowl, then proceed with filling the first bowl or cone.

Do not store frozen desserts in the freezer bowl. Desserts will stick to the side of the

freezer bowl and may damage the bowl. Transfer to an airtight container.

Ice cream will lose its soft consistency and harden after it is stored in the freezer.

13. If you want to use the Keep Warm Cup, make sure the unit is turned to "Ice Cream + Warm."

NOTE: The Keep Warm feature is intended to keep only prepared toppings soft enough to pour over ice cream (hot fudge, caramel, and butterscotch).

RECOMMENDED MIX-INS

These items can be found in most well-stocked grocery stores.

Mini candy-coated chocolates

Mini chocolate chips

Confetti sprinkles

Chocolate sprinkles

Caramel sprinkles

Praline crunch

Decorative Crunch Bits

Finely Chopped Nuts

NOTE: Always use the mix-in gauge; some mix-ins may be too large to dispense and will need to be chopped.

SUGGESTED LIQUID TOPPINGS

Chocolate syrup

Prepared hot fudge

Prepared caramel sauce

Prepared fruit sauce, such as strawberry, blueberry, or raspberry

Butterscotch sauce

DISASSEMBLING FOR CLEANING

1. Turn the unit OFF and unplug.
2. Remove the lid by pushing in and lifting the two side tabs. Disconnect the mixing paddle.

3. Lift the freezer bowl up and out of the base. Make sure all ice cream has been dispensed before removing.
4. Remove the topping chute by pulling it toward you.
5. Remove the dispensing handle assembly by turning counterclockwise to unlock. Once unlocked, it can be lowered from the unit.

CLEANING

1. Follow section on disassembling.
2. **Base:** Wipe with a damp cloth and dry. Never use abrasives or immerse in water.
3. **Freezer Bowl and Lid:** Wash by hand in warm, soapy water and dry thoroughly. **DO NOT PUT IN THE DISHWASHER. DO NOT CLEAN WITH ABRASIVE CLEANSERS.**
4. **Dispensing Handle Assembly:** Wash thoroughly by hand in warm, soapy water. Be sure to eliminate all ice cream residue by cleaning it while it is opened (with the handle pushed down) and closed (with handle up).
5. **Mixing Paddle, Topping Containers, Topping Chute, Keep Warm Cup and Drip Tray:** Hand-wash in warm, soapy water and dry thoroughly. These items are also top rack dishwasher safe.

STORAGE

DO NOT put freezer bowl in freezer if bowl is wet. **DO NOT** store lid, mixing paddle, base, drip tray, or topping containers in the freezer. You may store the freezer bowl in the freezer, in its upright position, for convenient, immediate use. We recommend, before freezing, wrap the bowl in a plastic bag to prevent freezer burn. **DO NOT** store frozen desserts in the freezer bowl. Transfer desserts to an airtight container for longer storage in the freezer. When filled topping containers are not in use, store in a cool, dark place. Empty containers if not used within a week.

NOTE: Ice cream will lose its soft consistency and harden after it is stored in the freezer.

TROUBLESHOOTING

Problem: Ice cream is not ready in recommended time.

Solution:

- Check the ice cream base consistency as it is churning. If it is thick and cold, more churning might be necessary to get to the right consistency for dispensing.
- Should the correct consistency still not be achieved, it could be attributed to the temperature of the ice cream bowl. It is important for the freezer to be at 0°F and for the freezer bowl to be in the freezer for 24 hours before using.
- Ice cream base ingredients may not have been cold enough. Be sure to fully chill ice cream base prior to making ice cream for best results.
- Be sure to have your ice cream maker all set up with dispensing assembly in place and paddle attached to lid before removing ice cream bowl from the freezer.

Problem: Ice cream is not dispensing.

Solution:

- Correct consistency is key to dispensing. Begin checking consistency at least 5 minutes before specified finish time.
- Once ice cream gets too thick, it will not be able to be dispensed. Should this happen, simply scoop ice cream right from the ice cream bowl.
- When checking to see if consistency is correct for dispensing, test by dispensing once base starts getting thick. If base is too soft or liquid, simply pour it back into the mix.
- Once ice cream does get to correct consistency, continue to dispense cups or cones until ice cream is completely dispensed.

Problem: Motor stalls.

Solution:

- Ice cream may be too thick.
- Turn off ice cream maker. Freezer bowl will need to be emptied, washed and refrozen before starting the process again.

Problem: Mix-ins are not dispensing.

Solution:

- Check topping chute to make sure that mix-ins are not stuck.
- Be sure that the topping dispenser is completely dry before adding any toppings. If wet, toppings can melt and stick together.
- Be sure that the mix-in chute is also thoroughly dry.
- Mix-ins may be too large. Use the mix-in gauge to determine the correct size for mix-ins.

Problem: Ice cream paddle is not turning.

Solution:

- Check to make sure there is no ice in the freezer bowl.

WARRANTY

Limited Three-Year Warranty

This warranty is available to U.S. consumers who purchase products directly from Cuisinart or an authorized Cuisinart® reseller only. You are the consumer if you own a Cuisinart® Mix It In™ Soft Serve Ice Cream Maker that was purchased at retail for personal, family or household use. Except as otherwise required under applicable law, this warranty is not available to retailers or other commercial purchasers or owners or consumers who purchase from unauthorized Cuisinart® resellers. We warrant that your Cuisinart® Mix It In™ Soft Serve Ice Cream Maker will be free of defects in materials and workmanship under normal home use for 3 years from the date of original purchase.

We recommend that you visit <https://cuisinart.registria.com> for a fast, efficient way to complete your product registration. However, product registration does not eliminate the need for the consumer to maintain the original proof of purchase in order to obtain the warranty benefits. In the event that you do not have proof of purchase date, the purchase date for purposes of this warranty will be the date of manufacture.

CALIFORNIA RESIDENTS ONLY

California law provides that for In-Warranty Service, California residents have the option of returning a nonconforming product (A) to the store where it was purchased or (B) to another retail store that sells Cuisinart products of the same type. The retail store shall then, according to its preference, either repair the product, refer the consumer to an independent repair facility, replace the product, or refund the purchase price less the amount directly attributable to the consumer's prior usage of the product. If neither of the above two options results in the appropriate relief to the consumer, the consumer may then take the product to an independent repair facility, if service or repair can be economically accomplished. Cuisinart and not the consumer will be responsible for the reasonable cost of such service, repair, replacement, or refund for nonconforming products under warranty. California residents may also, according to their preference, return nonconforming products directly to Cuisinart for repair or, if necessary, replacement by calling our Consumer Service Center toll-free at **1-800-726-0190**. Cuisinart will be responsible for the

cost of the repair, replacement, and shipping and handling for such nonconforming products under warranty.

Hassle-Free Replacement Warranty

Your ultimate satisfaction in Cuisinart products is our goal, so if your Cuisinart® Mix It In™ Soft Serve Ice Cream Maker should fail within the generous warranty period, we will repair it or, if necessary, replace it at no cost to you. To obtain a return shipping label, visit us at <https://www.cuisinart.com/customer-care/product-assistance/product-inquiry/>. Or call our Consumer Service Center toll-free at **1-800-726-0190** to speak with a representative.

Your Cuisinart® Mix It In™ Soft Serve Ice Cream Maker has been manufactured to the strictest specifications and has been designed for use only in 120-volt outlets and only with authorized accessories and replacement parts. This warranty expressly excludes any defects or damages caused by attempted use of this unit with a converter, as well as use with accessories, replacement parts or repair service other than those authorized by Cuisinart. This warranty does not cover any damage caused by accident, misuse, shipment or other than ordinary household use. This warranty excludes all incidental or consequential damages. Some states do not allow the exclusion or limitation of these damages, so these exclusions may not apply to you. You may also have other rights, which vary from state to state.

Important: If the nonconforming product is to be serviced by someone other than Cuisinart's Authorized Service Center, please remind the servicer to call our Consumer Service Center at **1-800-726-0190** to ensure that the problem is properly diagnosed, to confirm that the product is serviced with the correct parts, and to ensure that the product is still under warranty.

©2022 Cuisinart
Glendale, AZ 85307

Printed in China
22CE082573

IB-17576-ESP

RECIPES

Ice Creams

Soft Serve Vanilla Ice Cream	10
Simple Chocolate Ice Cream	10
Strawberry Ice Cream	10
Creamy Mint Ice Cream	11
Peanut Butter Ice Cream	11
Birthday Cake Ice Cream	12
Blue Monster Ice Cream	12
Banana-Nut Ice Cream	13
Coffee Ice Cream	13

Frozen Yogurts

Strawberry-Banana Frozen Yogurt	14
Cherry-Vanilla Frozen Yogurt	14

Dairy-Free Treats

Dairy-Free Dulce de Leche Ice Cream	15
Silky Chocolate Dairy-Free Ice Cream	15
Coconut Almond Chip Dairy-Free Ice Cream	16

Sorbets

Mango-Lime Sorbet	16
Raspberry Sorbet	16

Frozen Beverages

Watermelon Slushie	17
Strawberry Frosé	17
Piña Colada	17

Sauces and Dessert Components

Simple Syrup	17
Hard Chocolate Coating	18
Butterscotch Sauce	18
Peanut Butter Sauce	18
Ice Cream Sandwich Cookies	18
Chocolate Chipper Cookies	19

Soft Serve Vanilla Ice Cream

This ice cream can easily be dressed up by adding your favorite chopped candies or sprinkles at the end of churning.

Makes about 5 cups (ten ½-cup servings)

- 1 cup whole milk
- ¾ cup granulated sugar
- Pinch salt
- 2 cups heavy cream
- 1 tablespoon pure vanilla extract

1. In a medium bowl, whisk to combine the milk, sugar, and salt until the sugar is dissolved. Stir in the heavy cream and vanilla extract. Cover and refrigerate until well chilled before using, preferably overnight.
2. Assemble the Mix It In™ Soft Serve Ice Cream Maker with paddle secured and dispenser handle in its upright position. Turn on and pour in the chilled base. Churn until desired serving consistency is reached, 25 to 30 minutes. If ice cream is not thick enough, pour back into the freezer bowl and continue mixing until desired consistency is reached, checking every few minutes. The ice cream will have a soft, creamy texture.
3. Serve in cups or cones, adding toppings while dispensing ice cream.

Nutritional information per serving (based on ½ cup):
Calories 222 (73% from fat) • carb. 13g • pro. 2g • fat 18g
sat. fat 11g • chol. 69mg • sod. 45mg • calc. 61mg • fiber 0g

Simple Chocolate Ice Cream

This crowd-pleaser is so easy to make – just remember to have the base well chilled before churning!

Makes about 5 cups (ten ½-cup servings)

- ⅔ cup unsweetened cocoa powder (preferably Dutch process)
- ½ cup granulated sugar
- ⅓ cup firmly packed light brown sugar
- Pinch salt
- 1 cup whole milk
- 2 cups heavy cream
- 1 teaspoon pure vanilla extract

1. Place the cocoa, sugars and salt in a medium bowl; stir with a whisk to combine and remove any lumps. Add the milk, heavy cream, and vanilla extract, and

whisk well to incorporate and dissolve the cocoa powder and sugars (a hand mixer comes in handy here). Cover and refrigerate until well chilled, preferably overnight.

2. Assemble the Mix It In™ Soft Serve Ice Cream Maker with paddle secured and dispenser handle in its upright position. Turn on and pour in the chilled base. Churn until the desired serving consistency is reached, 25 to 30 minutes. If ice cream is not thick enough, pour back into the freezer bowl and continue mixing until desired consistency is reached, checking every few minutes. The ice cream will have a soft, creamy texture.
3. Serve in cups or cones, adding toppings while dispensing ice cream.

Nutritional information per serving:
Calories 255 (62% from fat) • carb. 23g • pro. 3g • fat 18g
sat. fat 12g • chol. 69mg • sod. 33mg • calc. 75mg • fiber 3g

Strawberry Ice Cream

Early summer strawberries make this an ice cream worth screaming about!

Makes about five cups (ten ½-cup servings)

- 1½ cups strawberries, hulled and halved (if large)
- ¾ cup whole milk
- ½ cup granulated sugar
- 1 teaspoon pure vanilla extract
- Pinch salt
- 1¼ cups heavy cream

1. Put the strawberries, milk, sugar, vanilla extract, and salt into a blender and blend on High until completely smooth and homogenous, 40 to 50 seconds. Pour into a bowl and stir in the heavy cream. Cover and refrigerate until well chilled, preferably overnight.
2. Assemble the Mix It In™ Soft Serve Ice Cream Maker with paddle secured and dispenser handle in its upright position. Turn on and pour in the chilled base. Churn until the desired serving consistency is reached, 25 to 30 minutes. If ice cream is not thick enough, pour back into the freezer bowl and continue mixing until desired consistency is reached, checking every few minutes. The ice cream will have a soft, creamy texture.
3. Serve in cups or cones, adding toppings while dispensing ice cream.

Nutritional information per serving:
Calories 178 (60% from fat) • carb. 17g • pro. 1g • fat 12g
sat. fat 8g • chol. 46mg • sod. 20mg • calc. 43mg • fiber 1g

Creamy Mint Ice Cream

Not your ordinary mint ice cream, ours calls for a lot of bright green, fresh mint for a real natural flavor. While blending it gives it an attractive pastel hue, it can be strained after steeping to create an ice cream that's white in color with a more muted mint flavor.

Makes about 5 cups (ten ½-cup servings)

- 1 cup whole milk
- 2½ cups packed fresh mint leaves
- ¾ cup granulated sugar
- Pinch salt
- 2 cups heavy cream
- 1 tablespoon pure vanilla extract

1. In a medium saucepan set over medium-low heat, bring the milk just to a boil. Remove from heat and add the mint leaves; let steep for 20 to 30 minutes. If you desire a milder mint flavor, strain, and discard the mint leaves after steeping, but for a more intense ice cream, blend the milk/mint mixture using an immersion blender.
2. Add the sugar and salt to the steeped milk/mint mixture. Whisk to combine, until the sugar is dissolved. Stir in the heavy cream and vanilla extract. Cover and refrigerate until well chilled, preferably overnight.
3. Assemble the Mix It In™ Soft Serve Ice Cream Maker with paddle secured and dispenser handle in its upright position. Turn on and pour in the chilled base. Churn until the desired serving consistency is reached, 25 to 30 minutes. If ice cream is not thick enough, pour back into the freezer bowl and continue mixing until desired consistency is reached, checking every few minutes. The ice cream will have a soft, creamy texture.
4. Serve in cups or cones, adding toppings while dispensing ice cream.

Nutritional information per serving (based on ½ cup):
Calories 241 (45% from fat) • carb. 17g • pro. 1g • fat 17g
sat. fat 12g • chol. 66mg • sod. 27mg • calc. 43mg • fiber 1g

Peanut Butter Ice Cream

Creamy Peanut Butter Ice Cream is a favorite of kids of all ages.

Makes about 5 cups (ten ½-cup servings)

- 1 cup creamy peanut butter
- ¾ cup granulated sugar
- Pinch salt
- 1 cup whole milk
- 1½ cups half-and-half
- 1 teaspoon pure vanilla extract

1. In a medium bowl, stir the peanut butter, sugar, and salt with a whisk until smooth. Add the milk and stir until smooth and the sugar is dissolved. Stir in the half-and-half and vanilla extract. Cover and refrigerate until well chilled, preferably overnight.
2. Assemble the Mix It In™ Soft Serve Ice Cream Maker with paddle secured and dispenser handle in its upright position. Turn on and pour in the chilled base. Churn until the desired serving consistency is achieved, 20 to 25 minutes. If ice cream is not thick enough, pour back into the freezer bowl and continue mixing until desired consistency is reached, checking every few minutes. The ice cream will have a soft, creamy texture.
3. Serve in cups or cones, adding toppings while dispensing ice cream.

Nutritional information per serving:
Calories 265 (58% from fat) • carb. 21g • pro. 8g • fat 18g
sat. fat 6g • chol. 17mg • sod. 150mg • calc. 76mg • fiber 2g

Birthday Cake Ice Cream

This soft serve will have you celebrating every bite.

Makes about 5 cups (ten ½-cup servings)

- ¼ cup boxed yellow cake mix
- 1 cup whole milk
- ¾ cup granulated sugar
- Pinch salt
- 2 cups heavy cream
- 1 tablespoon pure vanilla extract
- ½ cup rainbow sprinkles, plus more for garnish

1. Preheat the oven to 300°F. Sprinkle the cake mix on a small sheet pan. Bake for 15 minutes. Let cool completely.
2. In a medium bowl, whisk together the milk, sugar, salt, and cooled cake mix until the sugar and cake mix are dissolved. Stir in the heavy cream and vanilla extract. Cover and refrigerate until well chilled, preferably overnight.
3. Assemble the Mix It In™ Soft Serve Ice Cream Maker with the paddle secured and dispenser handle in its upright position. Put the sprinkles into one of the topping containers for dispensing. Turn on and pour in the chilled base. Churn until desired serving consistency is reached, 25 to 30 minutes. If ice cream is not thick enough, pour back into the freezer bowl and continue mixing until the desired consistency is reached, checking every few minutes. The ice cream will have a soft, creamy texture.
4. Serve in cups or cones, adding rainbow sprinkles while dispensing ice cream.

Nutritional information per serving (based on ½ cup):
Calories 275 (64% from fat) • carb. 22g • pro. 2g • fat 20g
sat. fat 11g • chol. 75mg • sod. 89mg • calc. 31mg • fiber 0g

Blue Monster Ice Cream

Vibrant blue ice cream meets your favorite crushed cookies in this monstrous cookie soft serve.

Makes about 5 cups (ten ½-cup servings)

- 1 cup whole milk
- ¾ cup granulated sugar
- Pinch salt
- 2 teaspoons blue spirulina powder
- 2 cups heavy cream
- 1 tablespoon pure vanilla extract
- ½ cup chocolate wafer cookie crumbs or chocolate chip cookie crumbs

1. In a medium bowl, whisk together the milk, sugar, salt, and blue spirulina powder until the sugar and powder are dissolved. Stir in the heavy cream and vanilla extract. Cover and refrigerate until well chilled, preferably overnight.
2. Assemble the Mix It In™ Soft Serve Ice Cream Maker with paddle secured and dispenser handle in its upright position. Put the cookie crumbs into one of the topping containers for dispensing. Turn on and pour in the chilled base. Churn until the desired serving consistency is achieved, 25 to 30 minutes. If ice cream is not thick enough, pour back into the freezer bowl and continue mixing until the desired consistency is reached, checking every few minutes. The ice cream will have a soft, creamy texture.
3. Serve in cups or cones, adding cookie crumb toppings while dispensing ice cream.

Nutritional information per serving (based on ½ cup):
Calories 245 (66% from fat) • carb. 18g • pro. 9g • fat 18g
sat. fat 11g • chol. 69mg • sod. 51mg • calc. 31mg • fiber 0g

Banana-Nut Ice Cream

Cooking the bananas first not only intensifies the flavor, but it creates a sweet syrup that is quickly mixed into the ice cream base.

Makes about 6 cups (twelve ½-cup servings)

- 3** very ripe bananas
- ¼** cup packed light brown sugar
- Pinch salt
- 1** cup whole milk
- ½** cup granulated sugar
- Pinch salt
- 2** cups heavy cream
- 1½** teaspoons pure vanilla extract
- ½** cup finely chopped walnuts

1. In a medium to large skillet over medium heat, add the bananas, brown sugar, and salt. Cook until they soften and caramelize (keep a watchful eye over the pan to be sure that the sugar does not burn). Remove from heat and allow to sit for no more than one minute.
2. In a medium to large mixing bowl, whisk the milk and sugar until the sugar is dissolved. Add a little of the milk mixture to the warm banana/sugar mixture and stir well to combine. Add the rest of the banana mixture to the bowl of the milk/sugar, being sure to scrape in all the sugar syrup and whisk well (if you have a hand blender, this mixture could be puréed for a richer flavor and smoother consistency). Whisk in the heavy cream and vanilla extract. Chill overnight.
3. Assemble the Mix It In™ Soft Serve Ice Cream Maker with the paddle secured and dispenser handle in its upright position. Put the finely chopped walnuts into one of the topping containers for dispensing. Turn on and pour in the chilled base. Churn until the desired serving consistency is achieved, about 25 to 30 minutes.
4. Serve in cups or cones, adding finely chopped walnuts while dispensing ice cream.

Nutritional information per serving (based on ½ cup):
Calories 237 (61% from fat) • carb. 20g • pro. 2g • fat 16g
sat. fat 10g • chol. 55mg • sod. 26mg • calc. 21mg • fiber 1g

Coffee Ice Cream

Awaken your palate with this bright and indulgent coffee soft serve.

Makes about 5 cups (ten ½-cup servings)

- 1** cup whole milk
- ½** cup granulated sugar
- ¼** cup packed light brown sugar
- 1 to 1½** tablespoons instant espresso or coffee, to taste
- 2** cups heavy cream
- 1** teaspoon pure vanilla extract
- Pinch salt

1. In a medium bowl, whisk the milk, sugars, espresso powder, and salt until the sugar is dissolved. Stir in the heavy cream and vanilla extract. Cover and refrigerate until well chilled, preferably overnight.
2. Assemble the Mix It In™ Soft Serve Ice Cream Maker with the paddle secured and dispenser handle in its upright position. Turn on and pour in the chilled base. Churn until the desired serving consistency is reached, 25 to 30 minutes. If ice cream is not thick enough, pour back into the freezer bowl and continue mixing until the desired consistency is reached, checking every few minutes. The ice cream will have a soft, creamy texture.
3. Serve in cups or cones, adding desired toppings while dispensing ice cream.

Nutritional information per serving (based on ½ cup):
Calories 257 (67% from fat) • carb. 19g • pro. 3g • fat 19g
sat. fat 12g • chol. 72mg • sod. 44mg • calc. 95mg • fiber 0g

Strawberry-Banana Frozen Yogurt

The classic combination of strawberry and banana come together in this sweet and tangy frozen yogurt.

Makes about 5 cups (ten ½-cup servings)

- 1 ripe banana, peeled and cut into 1-inch pieces
- 8 ounces strawberries, fresh (hulled) or frozen (thawed)
- ½ cup whole milk
- ½ cup heavy cream
- 1 cup granulated sugar
- Pinch salt
- ½ teaspoon pure vanilla extract
- 3 cups whole-milk Greek yogurt

1. Put the banana, strawberries, milk, heavy cream, sugar, salt, and vanilla extract in a blender jar and blend on High until smooth. Transfer to a medium bowl and stir in the yogurt with a whisk. Cover and refrigerate until well chilled, preferably overnight.
2. Assemble the Mix It In™ Soft Serve Ice Cream Maker with the paddle secured and dispenser handle in its upright position. Turn on and pour in the chilled base. Churn until the desired serving consistency is reached, 25 to 30 minutes. If frozen yogurt is not thick enough, pour back into the freezer bowl and continue mixing until the desired consistency is reached, checking every few minutes.
3. The frozen yogurt will have a soft, creamy texture. Serve in cups or cones, adding toppings while dispensing the frozen yogurt.

Nutritional information per serving (based on ½ cup):

Calories 209 (36% from fat) • carb. 27g • pro. 7g • fat 9g
sat. fat 5g • chol. 30mg • sod. 50mg • calc. 12mg • fiber 1g

Cherry-Vanilla Frozen Yogurt

The classic combination of cherries and vanilla comes together in this fun, frozen yogurt.

Makes about 5 cups (ten ½-cup servings)

- 12 ounces pitted sweet cherries, frozen, thawed
- 1 cup whole milk
- ½ cup granulated sugar
- 1 teaspoon pure vanilla extract
- 2 cups whole-milk vanilla Greek yogurt

1. Put the cherries, whole milk, sugar, and vanilla extract in a blender jar and blend on High until smooth. Transfer to a medium bowl and stir in the yogurt with a whisk. Cover and refrigerate until well chilled, preferably overnight.
2. Assemble the Mix it In™ Soft Serve Ice Cream Maker with the paddle secured and dispenser handle in its upright position. Turn on and pour in the chilled base. Churn until the desired serving consistency is reached, 25 to 30 minutes. If frozen yogurt is not thick enough, pour back into the freezer bowl and continue mixing until the desired consistency is reached, checking every few minutes.
3. The frozen yogurt will have a soft, creamy texture. Serve in cups or cones, adding toppings while dispensing the frozen yogurt.

Nutritional information per serving (based on ½ cup):
Calories 84 (10% from fat) • carb. 17g • pro. 3g • fat 1g
sat. fat 1g • chol. 4mg • sod. 34mg • calc. 95mg • fiber 1g

Dairy-Free Dulce de Leche Ice Cream

Oat milk ice cream meets coconut dulce de leche in this creamy and decadent treat.

Makes about 5 cups (ten ½-cup servings)

- 1 can (11.25 ounces) sweetened, condensed coconut milk, label removed but unopened
 - 2½ cups barista-style oat milk, divided
 - ¼ cup light corn syrup
 - ½ teaspoon salt
 - 1 tablespoon pure vanilla extract
 - ¼ teaspoon xanthan gum
1. Make the dulce de leche: Put the unopened can of sweetened, condensed coconut milk in the bottom of a large pot and cover with water by at least 2 inches. Place the pot over high heat and bring to a simmer. Cover the pot and reduce the heat to low to maintain a steady simmer for 3 hours. Add water, if necessary, for the can to remain submerged by about 2 inches. Turn heat off and let the can cool to room temperature in the water before removing and opening. This can be made up to a week ahead of time.
 2. In a small pot, bring 1 cup of the oat milk to a simmer (this heat will help to activate the xanthan gum). Transfer the hot oat milk to a blender jar, and add the remaining oat milk, corn syrup, salt, vanilla extract, xanthan gum, and cooled dulce de leche. Blend on High until completely smooth and homogenous, 40 to 50 seconds. Cover and refrigerate until well chilled, preferably overnight.
 3. Assemble the Mix It In™ Soft Serve Ice Cream Maker with the paddle secured and dispenser handle in its upright position. Turn on and pour in the chilled base. Churn until the desired serving consistency is reached, 25 to 30 minutes. If ice cream is not thick enough, pour back into the freezer bowl and continue mixing until the desired consistency is achieved, checking every few minutes. The ice cream will have a soft, creamy texture.
 4. Serve in cups or cones, adding toppings while dispensing ice cream.

Nutritional information per serving (based on ½ cup):
Calories 183 (28% from fat) • carb. 31g • pro. 2g • fat 6g
sat. fat 4g • chol. 0mg • sod. 69mg • calc. 1mg • fiber 1g

Silky Chocolate Dairy-Free Ice Cream

The silken tofu makes a mousse-like consistency in this vegan-friendly dessert.

Makes about 4 cups (eight ½-cup servings)

- 12 ounces semisweet chocolate, chopped
 - ⅓ cup granulated sugar
 - 1½ teaspoons pure vanilla extract
 - 1 cup unsweetened soy milk
 - 14 ounces silken tofu, cut into 1-inch cubes
 - Pinch salt
1. Put the chocolate, sugar, and vanilla extract into a blender jar.
 2. Put the soy milk into a saucepan and set over medium heat. Bring the milk just to a boil. Let the milk sit for a few minutes, then add contents of the blender jar. Blend on Low. Remove the pour lid insert from the blender cover and add the tofu cubes while the blender is running on High. Once all the tofu has been added, add the salt and blend on High until homogenous.
 3. Chill for a minimum 2 hours, preferably overnight. Prior to using the ice cream base, whisk the chilled mixture well and then pour through a strainer to ensure a smooth mixture.
 4. Assemble the Mix It In™ Soft Serve Ice Cream Maker with the paddle secured and dispenser handle in its upright position. Turn on and pour in the chilled base. Churn until the desired serving consistency is reached, 20 to 25 minutes. If ice cream is not thick enough, pour back into the freezer bowl and continue mixing until the desired consistency is reached, checking every few minutes. The ice cream will have a soft, creamy texture.
 5. Serve in cups or cones, adding toppings while dispensing the ice cream.

Nutritional information per serving (based on ½ cup): Calories 248
(45% from fat) • carb. 35g • pro. 4g • fat 13g • sat. fat 7g
chol. 0mg • sod. 16mg • calc. 30mg • fiber 2g

Coconut Almond Chip Dairy-Free Ice Cream

Inspired by a favorite candy bar, this ice cream can be finished with a hard-shell chocolate coating, to complete the nostalgic taste, or topped with warm chocolate syrup if preferred.

Makes about 4 cups (eight ½-cup servings)

- 2 cans (13.5 oz. each) full-fat coconut milk (do not use “lite”)
- ¾ cup granulated sugar
- Pinch salt
- ¼ teaspoon pure almond extract
- ¼ cup toasted, finely chopped almonds
- Hard Chocolate Coating (page 18) or a simple Chocolate Sauce, for serving

1. In a medium bowl, whisk the coconut milk, sugar, salt, and almond extract until there are no clumps. (You can also use a blender on low speed or a hand blender.) Chill for at least 2 hours, preferably overnight. Whisk mixture again before pouring into the ice cream maker.
2. Assemble the Mix It In™ Soft Serve Ice Cream Maker with the paddle secured and dispenser handle in its upright position. Add the chopped almonds to one of the topping containers for dispensing.
3. Turn on and pour in the chilled base. Churn until the desired serving consistency is achieved, 20 to 25 minutes.
4. Serve in cups or cones, adding chopped almonds while dispensing the ice cream.
5. Finish with the Hard Chocolate Coating or Chocolate Sauce.

Nutritional information per serving (based on ½ cup): Calories 231 (66% from fat) • carb. 19g • pro. 2g • fat 18g • sat. fat 15g chol. 3mg • sod. 36mg • calc. 10mg • fiber 1g

Mango-Lime Sorbet

Tropical sunshine in a cup — or cone!

Makes about 4 cups (eight ½-cup servings):

- 3 ripe mangos, peeled and cut into large dice (cubes), about 4 cups of cubes
- ¾ cup Simple Syrup (page 17)
- ¼ cup fresh lime juice (about 2 limes)
- Pinch salt

1. Put the mango pieces into a blender jar and blend on High until completely puréed.

2. While blender is running on Low, add the Simple Syrup, lime juice, and salt. Cover and refrigerate until well chilled before using, preferably overnight.
3. Assemble the Mix It In™ Soft Serve Ice Cream Maker with the paddle secured and dispenser handle in its upright position. Turn on and pour in the chilled base. Churn until the desired serving consistency is reached, 15 to 25 minutes. If sorbet is not thick enough, pour back into the freezer bowl and continue mixing until the desired consistency is achieved, checking every few minutes. The sorbet will have a smooth and creamy texture.
4. Serve in cups or cones, adding toppings while dispensing the sorbet.

Nutritional information per serving (based on ½-cup):
Calories 153 (3% from fat) • Carb. 39g • Pro. 1g • Fat 1g
Sat. fat 0g • Chol. 0mg • Sod. 2mg • Calc. 21mg • Fiber 3g

Raspberry Sorbet

Using frozen raspberries allows you to make this vibrant sorbet any time of year.

Makes about 5 cups (ten ½-cup servings)

- 4 cups frozen raspberries, thawed
- 1½ cups Simple Syrup (page 17)
- Pinch salt

1. Put the thawed raspberries in a blender jar. Blend on High until completely puréed. To remove the seeds, strain the purée through a fine-mesh strainer.
2. Whisk in the Simple Syrup and salt. Cover and refrigerate until well chilled before using, preferably overnight.
3. Assemble the Mix It In™ Soft Serve Ice Cream Maker with the paddle secured and dispenser handle in its upright position. Turn on and pour in the chilled base. Churn until the desired serving consistency is reached, 15 to 25 minutes. If sorbet is not thick enough, pour back into the freezer bowl and continue mixing until the desired consistency is achieved, checking every few minutes. The sorbet will have a smooth, creamy texture.
4. Serve in cups or cones, adding toppings while dispensing the sorbet.

Nutritional information per serving (based on ½ cup):
Calories 140 (0% from fat) • carb. 37g • pro. 0g • fat 0g
sat. fat 0g • chol. 0mg • sod. 14mg • calc. 9mg • fiber 2g

Watermelon Slushie

Summertime in a cup, on demand!

Makes 5 cups (five 1-cup servings)

- 6** cups fresh watermelon, cut into large cubes
- ¾** cup Simple Syrup (page 17)
- 2** tablespoons fresh lime juice (about 1 lime)

1. Put the fresh watermelon into a blender, and blend on High until completely puréed.
2. Stir in the Simple Syrup and fresh lime juice. Cover and refrigerate overnight.
3. Assemble the Mix It In™ Soft Serve Ice Cream Maker with the paddle secured and dispenser handle in its upright position. Turn on and pour in the slushie base. Churn until the desired serving consistency is reached, 20 to 25 minutes.
4. Dispense and serve in cups with straw or spoon on hand.

Nutritional information per serving (based on 1-cup serving):
Calories 117 (1% from fat) • carb. 30g • pro. 1g • fat 0g
sat. fat 0g • chol. 0mg • sod. 2mg • calc. 15 mg • fiber 1g

Strawberry Frosé

Impress your friends with this cocktail treat at your next summer party or barbecue.

Makes about 5 cups (five 1-cup servings)

- 16** ounces strawberries, hulled and halved
- 1** bottle (750ml) rosé wine
- ½** cup Simple Syrup (page 17)

1. Put the strawberries into a blender jar and blend on High until completely puréed. While blender is running on Low, slowly add the rosé and blend until combined. Then add the Simple Syrup to the mixture, while still running on Low.
2. Chill well in the refrigerator overnight.
3. Once chilled, assemble the Mix It In™ Soft Serve Ice Cream Maker with paddle secured and dispenser handle in its upright position. Turn on and pour in the frosé base. Churn until the desired serving consistency is achieved, 25 to 30 minutes.
4. Dispense and serve in cups with straw or spoon on hand.

Nutritional information per serving (based on 1-cup serving):
Calories 171 (1% from fat) • carb. 18g • pro. 1g • fat 0g
sat. fat 0g • chol. 0mg • sod. 1mg • calc. 15mg • fiber 2g

Piña Colada

One sip and this refreshing tropical beverage will have you feeling like you are in paradise.

Makes about 4 cups (four 1-cup servings)

- 4** cups frozen pineapple
- ¾** cup full-fat coconut milk (do not use “lite”)
- ½** cup cream of coconut
- ¼** cup granulated sugar
- 1** lime zested and juiced
- ½** cup white rum
- Pineapple wedges, maraschino cherries, and pineapple leaves (for garnish)

1. Combine the pineapple, coconut milk, cream of coconut, sugar, lime zest, and lime juice in a blender jar and blend on High until smooth, about 1 minute.
2. Assemble the Mix It In™ Soft Serve Ice Cream Maker with the paddle secured and dispenser handle in its upright position. Turn on and pour in the base. Due to the frozen fruit in this mixture, this base does not need additional chilling prior to being added to the unit for freezing. Churn until the desired serving consistency is achieved, about 10 minutes. While continuing to churn, add the rum and mix until fully incorporated, about 2 minutes.
3. Dispense into serving glasses and garnish with pineapple wedges, maraschino cherries, and pineapple leaves.

Nutritional information per serving (based on 1 cup):
Calories 530 (22% from fat) • carb. 90g • pro. 2g • fat 13g
sat. fat 12g • chol. 0mg • sod. 25mg • calc. 30mg • fiber 4g

Simple Syrup

A key ingredient for sorbets and frozen cocktails. Simple Syrup keeps for 2 weeks tightly sealed in the refrigerator.

Makes 1½ cups

- 1** cup granulated sugar
- 1** cup water

1. Put sugar and water together in a saucepan over medium heat. Bring to a boil and reduce to a simmer for about 2 to 3 minutes, until sugar is completely dissolved.
2. Remove from heat and chill completely before using.

Nutritional information per tablespoon:
Calories 137 (48% from fat) • carb. 17g • pro. 2g • fat 8g
sat. fat 4g • chol. 18mg • sod. 78mg • calc. 3mg • fiber 1g

Hard Chocolate Coating

This is perfect for topping an ice cream sundae or cone. There are two different ways to assemble an ice cream sundae when using the Hard Chocolate Coating: either pouring directly onto the ice cream and then sprinkling other toppings over the chocolate before it fully hardens; or start with the other toppings (toasted nuts, cookies, caramel sauce) and then finish with the Hard Chocolate Coating so it truly covers the ice cream and all other toppings.

- ½ cup semisweet chocolate chips
- 1 tablespoon coconut oil
- Pinch flaked sea salt

1. Put the chips and oil into a small microwave-safe bowl or glass liquid measuring cup. Microwave on 40% power for 3 minutes and 30 seconds, and then stir very well. If there are still solid pieces, return to the oven and microwave, again on 40% power, for additional 20 second increments.
2. Allow to cool slightly, until room temperature but still pourable (this could take about 15 to 20 minutes), and then pour over an ice cream sundae or filled ice cream cone.
3. Store leftover Hard Chocolate Coating in an airtight container for up to 2 weeks. Microwave on 40% power to bring back to a sauce consistency prior to using.

Nutritional information per serving (1 tablespoon):
Calories 95 (32% from fat) • carb. 10g • pro. 1g • fat 6g
sat. fat 4g • chol. 0mg • sod. 18mg • calc. 20mg • fiber 1g

Butterscotch Sauce

This brown sugar-based sauce is the perfect warm topping for your ice cream.

Makes about ¾ cup

- 4 tablespoons (½ stick) unsalted butter
- ½ cup packed dark brown sugar
- ¼ cup light corn syrup
- 1 teaspoon water
- Pinch salt
- ¾ cup heavy cream
- 1 teaspoon pure vanilla extract

1. In a medium heavy-bottomed saucepan set over low heat, melt the butter. Add the sugar, corn syrup, water, and salt and stir to dissolve the sugar. Bring to a simmer over medium-low heat and allow to simmer for 4 minutes.

2. Take sugar mixture off the stove, and slowly and carefully stir in the cream and vanilla extract. Keep warm in the Mix It In™ Soft Serve Ice Cream Maker Keep Warm Cup.

Nutritional information per serving (based on 2 tablespoons):
Calories 238 (59% from fat) • carb. 24g • pro. 1g • fat 16g
sat. fat 10g • chol. 51mg • sod. 125mg • calc. 36mg • fiber 0g

Peanut Butter Sauce

A classic sauce that pairs well with chocolate- or vanilla-based ice creams, our Peanut Butter Sauce comes together in minutes and can be stored in the refrigerator for up to 2 weeks and reheated when ready to use.

- ½ cup creamy peanut butter
- ¼ cup granulated sugar
- 1 tablespoon light corn syrup
- ½ teaspoon pure vanilla extract
- Pinch fine sea salt
- Water, as needed

1. In a small saucepan over medium-low heat, whisk the peanut butter, granulated sugar, and corn syrup to combine. Once the mixture is fully combined and slightly warm, stir in the vanilla extract and salt. While whisking, add water, 1 tablespoon at a time, until desired consistency is achieved.
2. Keep warm in the Mix It In™ Soft Serve Ice Cream Maker Keep Warm Cup.

Nutritional information per serving (based on 1 tablespoon):
Calories 63 (53% from fat) • carb. 5g • pro. 2g • fat 4g • sat. fat 1g
chol. 3mg • sod. 47mg • calc. 22mg • fiber 0g

Ice Cream Sandwich Cookies

A step above the traditional ice cream sandwich cookies, these cookies are a perfect match for your favorite ice cream flavor. This recipe makes 24 cookies that are 2-inch rounds (for 12 sandwiches). If larger ice cream sandwiches are desired, they can easily be scooped with a larger cookie scoop and be either 3- or 4-inch rounds (for either 9 or 6 sandwiches).

Makes 24 cookies (for 12 ice cream sandwiches)

- 1½ cups unbleached, all-purpose flour
- ⅓ cup cocoa powder, sifted
- 1 teaspoon instant espresso powder
- ¾ teaspoon baking powder
- ¼ teaspoon fine sea salt
- 8 tablespoons (1 stick) unsalted butter, cut into

- 1-inch pieces and room temperature
- 1 cup granulated sugar
 - 1 large egg, room temperature
 - 1 teaspoon pure vanilla extract
 - 2¼ cups ice cream of your choice
1. Preheat oven to 350°F with the racks in the lower and upper middle positions. Line two cookie sheets with parchment paper; reserve.
 2. In a medium bowl, whisk the flour, cocoa powder, espresso powder, baking powder, and salt to fully combine.
 3. Put the butter in the bowl of a stand mixer fitted with the mixing paddle (or use a hand mixer fitted with the mixing beaters). On medium speed, cream the butter until smooth. Gradually add the sugar and mix until creamy. Add the egg and vanilla extract and mix until combined. On low speed, add the dry ingredients, and mix until just fully incorporated.
 4. Using a small ice cream scoop (about 1½ inches in diameter), scoop the dough onto the prepared cookie sheets (each round should be about 2 tablespoons). Use a cup to flatten each cookie mound down to about ¼-inch thickness.
 5. Bake for about 10 minutes, or until the edges of the cookies are set, but not firm. (If desiring perfectly round cookies, use a round cookie/biscuit cutter with a diameter just smaller than the baked cookies. Just after removing from the oven carefully cut out each cookie to create perfect circles.) Let cookies fully cool before assembling.
 6. To assemble: Using a small ice cream scoop, scoop about 3 tablespoons of your favorite ice cream onto the flat part of one cookie. Place another cookie on top of the ice cream, press down and twist the top cookie until the ice cream just reaches the edge of the cookies. Continue with each set of cookies. Wrap each ice cream sandwich in plastic wrap and freeze until firm (about 20 minutes).

Nutritional information per serving (2 cookies, not including ice cream): Calories 225 (42% from fat) • carb. 31g • pro. 3g • fat 11g sat. fat 6g • chol. 39mg • sod. 89mg • calc. 18mg • fiber 1g

Chocolate Chipper Cookies

A nostalgic ice cream companion, the chocolate chip cookie matches just about any ice cream flavor. Here, we make the cookies a bit softer so they can sustain not only assembly, but are easier and less messy to devour.

A mixture of white and semisweet mini chips is

attractive and adds different levels of sweetness to the cookies, but standard-size chips can be used if mini chips aren't available.

Makes about 4 dozen cookies

- 2¼ cups unbleached all-purpose flour
- 1 teaspoon baking soda
- 1 teaspoon fine sea salt
- ½ teaspoon instant espresso powder
- 16 tablespoons (2 sticks) unsalted butter, cut into 1-inch pieces, room temperature
- 1 cup packed light brown sugar
- ½ cup granulated sugar
- 2 large eggs, room temperature
- 1½ teaspoons pure vanilla extract
- 2 cups mixed white and semisweet miniature chocolate chips
- Flaked sea salt, for sprinkling

1. In a medium mixing bowl, whisk the flour, baking soda, salt, and espresso powder to combine; reserve.
2. Put the butter into either the bowl of a stand mixer or a large mixing bowl. Mix, using the paddle attachment or a hand mixer, on low and increasing to medium speed, until light and creamy. Add the sugars and mix on medium-low speed until very light and the sugar are mostly dissolved into the butter, stopping to scrape down the bowl as necessary. Add the eggs, one at a time, mixing on medium-low, and then the vanilla extract. Add the reserved dry ingredients and then the chocolate chips, mixing on low speed until incorporated.
3. Scoop the dough into even, golf ball-sized rounds and place on a parchment-lined tray or baking sheet. Wrap well and allow to chill for a minimum of 1 hour, or up to overnight.
4. Preheat the oven to 350°F with the racks in the lower and upper thirds of the oven. Line two baking sheets with parchment paper.
5. Place the chilled dough onto the baking sheets and bake until just browned and set at the edges, about 12 to 15 minutes. Remove and immediately sprinkle the cookies with a pinch of flaked sea salt. Allow the pans to cool before baking the remaining dough.

Nutritional information per cookie:

Calories 96 (46% from fat) • carb. 12g • pro. 1g • fat 5g sat. fat 3g • chol. 18mg • sod. 78mg • calc. 3mg • fiber 1g

Cuisinart®

MANUAL DE
INSTRUCCIONES
Y LIBRO DE RECETAS



Máquina de helado suave Mix It In™

Serie ICE-48

Para su seguridad y para disfrutar plenamente de este producto, siempre lea atentamente las instrucciones antes del uso.

MEDIDAS DE SEGURIDAD IMPORTANTES

Al usar aparatos eléctricos, siempre se deben tomar precauciones básicas de seguridad para reducir el riesgo de incendio, descarga eléctrica o lesiones, entre ellas las siguientes:

1. LEA TODAS LAS INSTRUCCIONES ANTES DEL USO.

2. Para reducir el riesgo de descarga eléctrica, no sumerja el cable, el enchufe ni la base del aparato en agua u otros líquidos.
3. Los niños o las personas que carezcan de la experiencia o de los conocimientos necesarios para manipular el aparato, o aquellas cuyas capacidades físicas, sensoriales, o mentales estén limitadas, no deben usar el aparato sin la supervisión o la dirección de una persona responsable por su seguridad. Supervise el uso de este aparato con cuidado cuando sea usado por o cerca de niños. No permita que los niños jueguen con este aparato.
4. Apague y desenchufe el aparato cuando no esté en uso, antes de instalar/sacar piezas y antes de limpiarlo. Para desenchufar, agarre el enchufe y jálelo de la toma de corriente. Nunca jale el cable. Compruebe que el aparato está desenchufado cuando no esté en uso, antes de instalar/sacar piezas y antes de limpiarlo.
5. Evite el contacto con las piezas móviles. Para reducir el riesgo de lesiones personales o daños al aparato, mantenga los dedos, cabello, ropa, espátulas y otros utensilios lejos del mismo durante el funcionamiento.
6. No use este aparato si el cable o el enchufe están dañados, después de un mal funcionamiento, después de una caída, o si está dañado; contacte a nuestro centro de atención al cliente para devolverlo para su revisión, reparación o ajuste.
7. El uso de accesorios no fabricados por Cuisinart presenta un riesgo de incendio, descarga eléctrica o lesiones personales.
8. No lo use en exteriores.
9. No permita que el cable cuelgue del borde de la encimera o de la mesa, ni que tenga contacto con superficies calientes.

10. Para reducir el riesgo de lesiones personales o daños al aparato, mantenga las manos y utensilios fuera del tazón congelador durante el funcionamiento. **NUNCA INTRODUZCA OBJETOS O UTENSILIOS PUNZANTES EN EL TAZÓN CONGELADOR;** esto puede rayar y dañar el interior del tazón. Puede usar una espátula de goma o una cuchara de madera, siempre que el aparato esté apagado ("OFF").
11. Para uso doméstico solamente. Toda operación de mantenimiento, excepto la limpieza y el mantenimiento por parte del usuario, debe ser llevada a cabo por personal de servicio autorizado.
12. No coloque el tazón congelador sobre un quemador a gas o eléctrico caliente, ni en un horno caliente. No lo exponga a ninguna fuente de calor. No lo lave en el lavavajillas; esto presenta un riesgo de incendio, descarga eléctrica o lesiones personales.
13. Supervise el uso de este aparato con cuidado cuando sea usado por o cerca de niños.
14. Solo use este aparato para el uso previsto.

GUARDE ESTAS INSTRUCCIONES PARA USO DOMÉSTICO SOLAMENTE

INSTRUCCIONES ESPECIALES ACERCA DEL CABLE

El cable provisto con este aparato es corto, para reducir el riesgo de que alguien se enganche o tropiece con un cable más largo.

Se puede usar un cable alargador/de extensión, pero con cuidado.

Si usa un cable alargador/de extensión aprobado, la clasificación nominal del mismo debe ser por lo menos igual a la del aparato. El cable más largo debe ser acomodado de tal manera que no cuelgue de la encimera/mesa, donde puede ser jalado por niños o causar tropiezos.

AVISO:

El cable de este aparato cuenta con un enchufe polarizado (una pata es más ancha que la otra). Como medida de seguridad, aquel enchufe se podrá enchufar de una sola manera en las tomas de corriente polarizadas. Si no entra en la toma de corriente, invírtalo. Si aun así no entra completamente, comuníquese con un electricista. No intente modificar esta función de seguridad.

PRECAUCIÓN

Para uso doméstico solamente. Toda operación de mantenimiento, excepto la limpieza y el mantenimiento por parte del usuario, debe ser llevada a cabo por personal de servicio autorizado.

- No sumerja la base en agua.
- Para reducir el riesgo de incendio o descarga eléctrica, no desarme la base. **NOTA:** La base no contiene ninguna pieza que pueda ser reparada/reemplazada por el usuario.
- Las reparaciones deben ser realizadas únicamente por personal autorizado.
- Compruebe que el voltaje indicado en la placa de especificaciones técnicas del aparato corresponde con el voltaje de su casa.
- Nunca limpie el aparato con productos/materiales abrasivos o utensilios duros.

ÍNDICE

Medidas de seguridad importantes	2
Antes del primer uso	3
Preparación/congelamiento del tazón	3
Piezas y características	4
Ensamblaje	5
Funcionamiento: Cómo hacer helado suave y otros postres helados	5
Ingredientes secos recomendados	6
Coberturas líquidas sugeridas	6
Cómo desensamblar la máquina para limpiarla	6
Limpieza	6
Almacenamiento	6
Resolución de problemas	7
Garantía	8
Recetas	9

ANTES DEL PRIMER USO

NO sumerja este aparato en agua. Limpie la superficie con un paño húmedo. Lave la tapa, el tazón congelador, la paleta mezcladora, los recipientes para ingredientes secos, el conducto de salida de los ingredientes secos y la bandeja de goteo en agua, jabonosa tibia para quitar el polvo o cualquier residuo que se hayan acumulado durante el proceso de fabricación y el envío. NO limpie ninguna de las piezas del aparato con limpiadores/materiales abrasivos o utensilios duros.

PREPARACIÓN/ CONGELAMIENTO DEL TAZÓN

Compruebe que el tazón está completamente congelado antes de empezar a preparar la receta. Lave y seque el tazón antes de congelarlo. Envuélvalo en una bolsa plástica para evitar la quemadura por congelación. Se recomienda colocar el tazón en el fondo del congelador, donde es más frío. **Para un congelamiento uniforme, cerciórese de colocar el tazón congelador sobre una superficie plana, en posición vertical.** El tiempo necesario para congelar completamente el tazón depende de qué tan frío esté su congelador. Para que el tazón siempre esté listo, se recomienda guardarlo en el congelador; así podrá usarlo inmediatamente en cualquier momento.

Por lo general, el tazón debe congelarse por un mínimo de 24 horas. Para saber si el tazón está completamente congelado, agítelo. Si no escucha ningún movimiento de líquido, entonces el tazón está listo.

NOTA: Su congelador debe estar a una temperatura de 0 °F (-20 °C) para asegurar el congelamiento adecuado.

TARJETA DE REFERENCIA RÁPIDA

Si pierde este manual de instrucciones, hay un código QR para acceder a las instrucciones y las recetas en línea. Abra el compartimento marcado "INFO" situado debajo de la bandeja de goteo (pieza n.º 12 en la página 4) y escanee el código QR impreso en la tarjeta de referencia rápida ubicada en el compartimento.

PIEZAS Y CARACTERÍSTICAS

1. Tapa fácil de cerrar con abertura

Especialmente diseñada para instalarse/retirarse fácilmente. La abertura permite agregar los ingredientes del helado y vigilar el proceso de congelación.

2. Paleta mezcladora – Mezcla los ingredientes e incorpora aire para crear helado suave y cremoso.

3. Tazón congelador de 1½ cuartos de galón (1.4 L) – Contiene un líquido congelante en una pared con doble aislamiento, para un congelamiento uniforme y rápido. La pared con doble aislamiento mantiene el tazón frío, a una temperatura constante.

4. Tres recipientes para ingredientes secos

Para guardar y servir los ingredientes secos de su elección, p.ej., granas, mini chispas de chocolate, caramelitos duros, nueces picadas, etc. Los recipientes pueden mezclar los ingredientes secos directamente al helado al servir este, o pueden retirarse de la máquina para agregar al helado en la mesa.

5. Perillas para servir los ingredientes secos

Gire la perilla correspondiente al ingrediente seco deseado para que se mezcle con el helado.

6. Conducto de salida de los ingredientes secos

Sirve los ingredientes secos al mismo tiempo que la máquina sirve el helado. Es removible, para una fácil limpieza.

7. Palanca para servir helado – Bájela para servir helado. Es removible, para una fácil limpieza.

8. Base – Equipada con un motor de servicio pesado, lo suficientemente potente como para preparar y servir el helado.

9. Perilla de control

10. Taza de 4 onzas (120 ml) y placa calentadora
Mantiene las coberturas líquidas tibias.

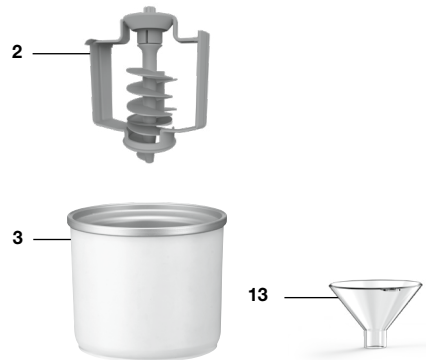
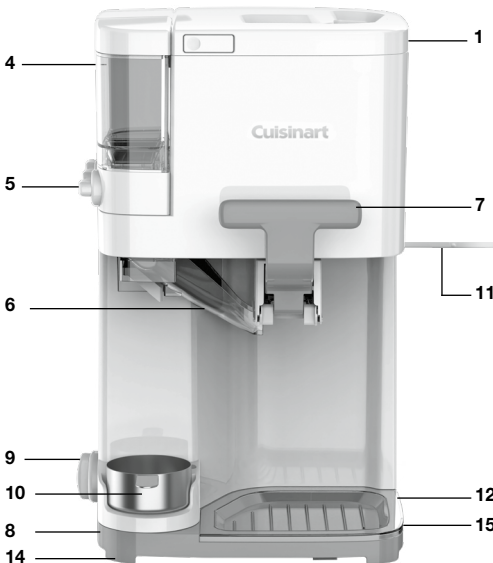
11. Portaconos – Sostiene varios conos, para mayor comodidad. Compatible con conos de barquillo o de azúcar.

12. Bandeja de goteo – Removible para una fácil limpieza.

13. Embudo calibrador – Permite llenar los recipientes para ingredientes secos y al mismo tiempo comprobar su tamaño. Los ingredientes que no quepan por la punta del embudo son demasiado grandes para usarse en la máquina (atascarían el conducto de salida).

14. Pies de goma antideslizantes – Mantienen el aparato estable durante el funcionamiento.

15. Guía de referencia rápida removible (no ilustrada)



ENSAMBLAJE

1. Instale los recipientes para ingredientes secos, introduciéndolos en las ranuras en el costado de la máquina y presionando hasta que encajen y queden firmes en su sitio. **NOTA:** Los recipientes de esquina redondeada son los recipientes trasero y delantero.
2. Tape cada recipiente con su tapa respectiva.
3. Instale el conjunto de la palanca para servir helado, insertando la abertura redonda debajo de la parte superior del aparato, alineando la palanca con la palabra "LOCK" (impresa en el costado derecho del aparato), y girando el conjunto hacia la izquierda hasta que se bloquee. **NOTA:** La palanca para servir helado se encontrará en el centro del frente de la máquina.
4. Deslice el conducto de salida de los ingredientes secos en el espacio debajo de los recipientes, cerciorándose de empujar hasta que llegue al fondo. **NOTA:** Para hacer esto, la palanca para servir helado debe estar levantada.
5. Coloque la bandeja de goteo en la base, debajo de la palanca para servir helado.
6. Coloque la taza para coberturas líquidas en la placa calentadora (si desea usarla).
6. Coloque la tapa (con la paleta mezcladora fijada) sobre el tazón congelador y presione hasta que quede segura.
7. Ponga la perilla de control en "ICE CREAM" si va a preparar helado solamente. Póngala en "ICE CREAM + WARM" si va a preparar helado y calentar alguna cobertura líquida también. La paleta mezcladora empezará a girar, y, si ha activado la función de calentamiento, la placa calentadora se encenderá.
8. Agregue los ingredientes de la base del helado por la abertura en la tapa.
9. La mayoría de los helados suaves estarán listos en tan solo 30 minutos. **NOTA:** El tiempo de preparación depende de la receta y de la cantidad preparada. Para reducir el tiempo de preparación, se recomienda refrigerar la base del helado antes de verterla en el tazón congelador.

NOTA: Para garantizar una consistencia óptima, chequee el helado al menos 5 minutos antes del tiempo especificado para su finalización. Si el helado se pone demasiado duro para servir con la palanca para servir, simplemente retire el tazón congelador, sívalo con una cuchara y disfrute.

10. Coloque un cono para helado o un bol aprox. 1 in (2.5 cm) bajo la boca de salida del helado, y baje la palanca para servir. Gire el cono/bol mientras sirve el helado.
11. Gire la(s) perilla(s) correspondiendo a los ingredientes secos deseados para servirlos al mismo tiempo como el helado.
12. Después de servir el helado, levante la palanca para detener el flujo de helado.
NOTAS: Puede que un poco de líquido salga de la boca de salida al bajar la palanca para servir el primer helado. Se recomienda usar una taza para recoger este líquido antes de servir el helado.
No guarde los postres helados en el tazón congelador; los ingredientes pegarán a las paredes del tazón, lo que puede dañarlo. Guarde el helado en un recipiente hermético.
NOTA: El helado perderá su consistencia cremosa y se pondrá duro al congelarse.
13. Si desea usar cobertura tibia, cerciódese de poner la perilla de control en "ICE CREAM + WARM".
NOTA: La función de calentamiento ha sido diseñada para mantener las coberturas líquidas (p.ej., salsa de chocolate, caramelo, dulce de azúcar y mantequilla) lo suficientemente blandas como para poder verterlas sobre el helado.

FUNCIONAMIENTO

Cómo hacer helado suave y otros postres helados

1. Llene los recipientes para ingredientes secos con los ingredientes de su elección, usando el embudo calibrador.
2. No llene los recipientes con coberturas líquidas. Coloque hasta un máximo de 4 onzas (115 ml) de la cobertura líquida de su elección en la taza, sobre la placa calentadora.
NOTA: Solo use la taza para mantener las coberturas líquidas tibias.
3. Siga las recetas incluidas en nuestro libro de recetas. No llene el tazón congelador hasta más de ½ in (1.5 cm) de la orilla, ya que los ingredientes se expanden durante el congelamiento. Para mejores resultados, prepare los ingredientes de la base del postre helado en un recipiente del que sea fácil verter.
4. Introduzca la parte superior de la paleta mezcladora en el agujero debajo de la tapa.
5. Saque el tazón congelador del congelador (quite la bolsa plástica, si la usó). Quite la tapa de la máquina y coloque el tazón congelador en la base.
NOTA: El tazón comenzará a descongelarse rápidamente después de sacarlo del congelador; úselo inmediatamente.

INGREDIENTES SECOS RECOMENDADOS

Estos artículos están disponibles en la mayoría de los supermercados grandes.

Mini chocolates recubiertos de caramelo

Mini chispas de chocolate

Granjas multicolor

Granjas de chocolate

Granjas de caramelo

“Praline crunch” (trocitos de nueces/almendras cubiertos con azúcar caramelizada)

Dulces tipo “Crunch Bits”

Nueces finamente picadas

NOTA: Siempre use el embudo calibrador para asegurarse que los ingredientes secos sean lo suficientemente pequeños para servirse con el helado.

COBERTURAS LÍQUIDAS SUGERIDAS

Jarabe de chocolate

Salsa de chocolate caliente

Salsa de caramelo

Salsa de fruta, p. ej., fresas, arándanos azules o frambuesas

Salsa de mantequilla y azúcar

CÓMO DESENSAMBLAR LA MÁQUINA PARA LIMPIARLA

1. Apague (“OFF”) y desenchufe el aparato.
2. Quite la tapa, presionando y levantando las patas laterales. Retire la paleta mezcladora de la tapa.
3. Retire el tazón congelador de la base.
NOTA: Cerciórese que el tazón está vacío antes de retirarlo.
4. Retire el conducto de salida de los ingredientes secos, jalándolo hacia su cuerpo.
5. Retire el conjunto de la palanca para servir helado, girándolo hacia la derecha para liberarlo, y luego bajándolo.

LIMPIEZA

1. Desmonte el aparato como se indicó en la sección “Cómo desensamblar la máquina para limpiarla”.
2. **BASE:** Limpie la carcasa del aparato con un paño húmedo, y luego séquela bien. Nunca use limpiadores/materiales abrasivos, ni sumerja el aparato en agua.

3. **Tazón congelador y tapa:** Lávelos a mano, en agua jabonosa tibia, y séquelos bien.
NO LOS META EN EL LAVAVAJILLAS. NO USE LIMPIADORES ABRASIVOS.
4. **Conjunto de la palanca para servir helado:** Lávelo a mano, en agua jabonosa tibia. Cerciórese de eliminar los residuos de helado mientras la boca de salida está abierta (palanca abajo) y cerrada (palanca arriba).
5. **Paleta mezcladora, recipientes para ingredientes secos, conducto de salida, taza y bandeja de goteo:** Lávelos en agua jabonosa tibia, luego enjuáguelos y permita que se sequen por completo. **NOTA:** Estas piezas también son aptas para lavavajillas (bandeja superior solamente).

ALMACENAMIENTO

NO guarde el tazón congelador en el congelador si está mojado. **NO** guarde la tapa, la paleta mezcladora, la base, la bandeja de goteo ni los recipientes para ingredientes secos en el congelador. Guarde el tazón en el congelador, en posición vertical, para que siempre esté listo cuando lo necesite. Antes de colocarlo en el congelador, se recomienda envolverlo en una bolsa plástica para evitar las quemaduras por congelación. **NO** guarde los postres helados en el tazón congelador; guárdelos en un recipiente hermético. Guarde los recipientes para ingredientes secos llenos en un lugar fresco y oscuro. Tire los ingredientes secos no usados después de una semana.

NOTA: El helado perderá su consistencia cremosa y se pondrá duro al congelarse.

RESOLUCIÓN DE PROBLEMAS

Problema: El helado no está listo dentro del tiempo recomendado.

Solución:

- Chequee la consistencia del helado mientras se está congelando. Si está espeso, puede que necesite más tiempo para adquirir la consistencia necesaria para servirse.
- Si el helado no adquiere la consistencia correcta, puede que sea debido a la temperatura del tazón congelador. Es importante mantener el tazón congelador en 0 °F (-20 °C) durante 24 horas antes de usarlo.
- Puede que los ingredientes del helado no sean lo suficientemente fríos. Para conseguir resultados óptimos, cerciórese de bien enfriar la mezcla antes de empezar a preparar helado.
- Cerciórese de ensamblar completamente la máquina antes de retirar el tazón del congelador.

Problema: El mecanismo para servir el helado no funciona.

Solución:

- Es imprescindible que el helado tenga la consistencia correcta para poder servirlo. Empiece a chequear la consistencia del helado al menos 5 minutos antes del tiempo especificado para su finalización.
- Si el helado se pone demasiado espeso, será imposible servirlo. En caso de que esto suceda, retire el tazón de la máquina y sirva el helado con una cuchara.
- Para chequear la consistencia, intente servir helado cuando la mezcla empiece a espesarse. Si la mezcla está demasiado blanda o líquida, vuelva a verterla en el tazón congelador.
- Cuando el helado alcance la consistencia correcta, sívalo en conos o tazas hasta que ya no quede helado en el tazón congelador.

Problema: El motor está haciendo fuerza.

Solución:

- Puede que el helado sea demasiado espeso.
- Apague la máquina. Vacíe el tazón, lávelo y vuelva a congelarlo antes de empezar de nuevo.

Problema: Los ingredientes secos no salen de la boca de salida.

Solución:

- Compruebe que el conducto de salida de los ingredientes secos no esté atascado.
- Compruebe que los recipientes para alimentos secos estén completamente secos antes de llenarlos. Cualquier rastro de humedad puede hacer que los ingredientes se derritan y se peguen.
- Compruebe que el conducto de salida de los ingredientes secos esté completamente seco.
- Puede que los ingredientes secos sean demasiado grandes. Use el embudo calibrador para determinar el tamaño correcto.

Problema: La paleta mezcladora no gira.

Solución:

- Compruebe que no hay hielo en el tazón congelador.

GARANTÍA

Garantía limitada de tres años

Esta garantía es válida solo en los Estados Unidos, para los consumidores que hayan comprado este producto directamente a Cuisinart o a un revendedor autorizado de Cuisinart. Usted es un consumidor si posee una máquina de helado suave Mix It In™ de Cuisinart® que haya sido comprada en una tienda para uso personal, familiar o casero. A menos que la ley aplicable exija lo contrario, esta garantía no es para los minoristas u otros consumidores/compradores comerciales, ni propietarios/consumidores que hayan comprado este producto a revendedores no autorizados por Cuisinart. Cuisinart garantiza este producto contra todo defecto de materiales o fabricación durante 3 años después de la fecha de compra original, siempre que haya sido usado para uso doméstico y de acuerdo con las instrucciones.

Se recomienda llenar el formulario de registro disponible en <https://cuisinart.registria.com> a fin de facilitar la verificación de la fecha de compra original de este producto. Sin embargo, no es necesario registrar el producto para recibir servicio bajo esta garantía. En ausencia de prueba de la fecha de compra, el período de garantía será calculado a partir de la fecha de fabricación del producto.

RESIDENTES DE CALIFORNIA

La ley del estado de California ofrece dos opciones bajo el período de garantía. Los residentes del estado de California pueden devolver el producto defectuoso (A) a la tienda donde lo compraron o (B) a otra tienda que venda productos Cuisinart® de este tipo. La tienda podrá, a su elección, reparar el producto, referir al consumidor a un centro de servicio independiente, sustituir el producto, o reembolsar al consumidor el precio de compra menos la cantidad directamente atribuible al uso anterior del producto por el consumidor. Si estas dos opciones no satisfacen al consumidor, podrá llevar el aparato a un centro de servicio independiente, siempre que se pueda arreglar o reparar el aparato de manera económica. Cuisinart (no el consumidor) será responsable por los gastos de servicio, reparación, sustitución o reembolso de los productos defectuosos bajo garantía. Los residentes de California también pueden, si lo desean, mandar el producto defectuoso directamente a Cuisinart para que sea reparado o sustituido. Para esto, se debe llamar a nuestro servicio de atención al cliente al **1-800-726-0190**. Cuisinart será responsable por los gastos de reparación, reemplazo, manejo y envío de los productos defectuosos durante el período de garantía.

Garantía de reemplazo sin dificultades

Su máxima satisfacción es nuestra prioridad, así que si este producto Cuisinart® falla dentro del generoso período de garantía, lo repararemos o, de ser necesario, lo reemplazaremos, sin costo alguno para usted. Para obtener una etiqueta de devolución, visite: <https://www.cuisinart.com/customer-care/product-inquiry>.

O llame a nuestro servicio de atención al cliente, al **1-800-726-0190**, para hablar con un representante.

Este producto satisface las más altas exigencias de fabricación y ha sido diseñado para funcionar con 120 V, usando accesorios y repuestos autorizados solamente. Esta garantía excluye expresamente los defectos o daños causados por accesorios, piezas o reparaciones no autorizados por Cuisinart, así como los defectos o daños causados por el uso de un convertidor de voltaje. Esta garantía no cubre el uso comercial o industrial del producto, y no es válida en caso de daños causados por mal uso, negligencia o accidente. Esta garantía excluye todos los daños incidentales o consecuentes. Algunos Estados no permiten la exclusión o limitación de daños incidentales o consecuentes, de modo que las limitaciones mencionadas pueden no regir para usted. Usted puede tener otros derechos que varían de un Estado a otro.

Importante: Si debe llevar el producto defectuoso a un centro de servicio no autorizado, por favor informe al personal del centro de servicio que deben llamar al servicio de atención al cliente de Cuisinart, al **1-800-726-0190**, a fin de diagnosticar el problema correctamente, usar las piezas correctas para repararlo y comprobar que el producto aún está bajo garantía.

©2022 Cuisinart
Glendale, AZ 85307

Impreso en China
22CE082573

IB-17576-ESP

RECETAS

Helados

Helado de vainilla suave	10
Helado de chocolate simple	10
Helado de fresa	10
Helado de menta cremoso	11
Helado de mantequilla de maní	11
Helado “pastel de cumpleaños”	11
Helado “Monstruo Azul”	12
Helado de banana con nueces	12
Helado de café	12

Helados de yogur

Helado de yogur de banana-fresa	13
Helado de yogur de cereza- vainilla	13

Postres helados sin lácteos

Helado de dulce de leche sin lácteos	13
Helado de chocolate sedoso sin lácteos	14
Helado de coco-almendra sin lácteos	14

Sorbetes

Sorbete de mango-lima	14
Sorbete de frambuesa	15

Bebidas heladas

Granizado de sandía	15
Granizado de vino rosado-fresa	15
“Piña colada”	15

Salsas y componentes de postre

Jarabe simple	16
Cobertura de chocolate dura	16
Salsa de mantequilla y azúcar	16
Salsa de mantequilla de maní	16
Galletas de sándwich de helado	16
Galletas de chispas de chocolate	17

Helado de vainilla suave

Para “personalizar” este helado clásico, añada dulces picados o granas en los últimos minutos del congelamiento.

Rinde aprox. 10 porciones de ½ taza (120 ml)

- 1 taza (235 ml) de leche entera
- ¾ taza (150 g) de azúcar granulada
- 1 pizca de sal
- 2 tazas (475 ml) de crema líquida para batir (“heavy cream”)
- 1 cucharada de extracto natural de vainilla

1. Colocar la leche, el azúcar y la sal en un tazón mediano; batir hasta que el azúcar se haya disuelto. Agregar la crema líquida y la vainilla. Cubrir y refrigerar hasta que la mezcla esté helada, preferiblemente por una noche.
2. Ensamblar la máquina, con la palanca para servir helado levantada. Encender la máquina y verter la mezcla helada en el tazón congelador. Dejar que se procese/congele por 25 a 30 minutos, hasta que adquiera la consistencia correcta para servir. Si el helado está demasiado suave, volver a colocarlo en el tazón y seguir mezclando/congelando hasta obtener la consistencia deseada, averiguando la consistencia cada cuantos minutos. **NOTA:** El helado tendrá una consistencia suave y cremosa.
3. Servir el helado en boles o conos, con los ingredientes secos deseados.

Información nutricional por porción de ½ taza (120 ml):
Calorías 222 (73 % de grasa) • Carbohidratos 13 g • Proteínas 2 g
Grasa 18 g • Grasa saturada 11 g • Colesterol 69 mg • Sodio 45 mg
Calcio 61 mg • Fibra 0 g

Helado de chocolate simple

¡Este éxito garantizado es muy fácil de hacer, pero la mezcla tiene que ser helada antes de empezar la congelación!

Rinde aprox. 10 porciones de ½ taza (120 ml)

- ⅔ taza (80 g) de cacao en polvo alcalinizado (“Dutch process”) sin azúcar
- ½ taza (100 g) de azúcar granulada
- ⅓ taza (65 g) de azúcar rubia (azúcar de caña integral)
- 1 pizca de sal
- 1 taza (235 ml) de leche entera
- 2 tazas (475 ml) de crema líquida para batir (“heavy cream”)
- 1 cucharadita (5 ml) de extracto natural de vainilla

1. Colocar el cacao, los azúcares y la sal en un tazón mediano; revolver con un batidor para combinar y eliminar los grumos. Agregar la leche, la crema líquida y la vainilla; batir bien para incorporar y disolver los azúcares y el cacao (puede resultar útil una batidora de mano). Cubrir y refrigerar hasta que la mezcla esté helada, preferiblemente por una noche.

2. Ensamblar la máquina, con la palanca para servir helado levantada. Encender la máquina y verter la mezcla helada en el tazón congelador. Dejar que se procese/congele por 25 a 30 minutos, hasta que adquiera la consistencia correcta para servir. Si el helado está demasiado suave, volver a colocarlo en el tazón y seguir mezclando/congelando hasta obtener la consistencia deseada, averiguando la consistencia cada cuantos minutos. **NOTA:** El helado tendrá una consistencia suave y cremosa.
3. Servir el helado en boles o conos, con los ingredientes secos deseados.

Información nutricional por porción:
Calorías 255 (62 % de grasa) • Carbohidratos 23 g • Proteínas 3 g
Grasa 18 g • Grasa saturada 12 g • Colesterol 69 mg • Sodio 33 mg
Calcio 75 mg • Fibra 3 g

Helado de fresa

¡Las fresas de principios de verano hacen de este un helado digno de elogios!

Rinde aprox. 10 porciones de ½ taza (120 ml)

- 1½ tazas (300 g) de fresas, partidas en dos (si son grandes)
- ¾ taza (175 ml) de leche entera
- ½ taza (100 g) de azúcar granulada
- 1 cucharadita (5 ml) de extracto natural de vainilla
- 1 pizca de sal
- 1¼ tazas (295 ml) de crema líquida para batir (“heavy cream”)

1. Colocar las fresas, la leche, el azúcar, la vainilla y la sal en la jarra de una licuadora y licuar a velocidad alta por 40 a 50 segundos, hasta conseguir una mezcla suave y homogénea. Verter en un tazón y agregar la crema líquida; revolver. Cubrir y refrigerar hasta que la mezcla esté helada, preferiblemente por una noche.
2. Ensamblar la máquina, con la palanca para servir helado levantada. Encender la máquina y verter la mezcla helada en el tazón congelador. Dejar que se procese/congele por 25 a 30 minutos, hasta que adquiera la consistencia correcta para servir. Si el helado está demasiado suave, volver a colocarlo en el tazón y seguir mezclando/congelando hasta obtener la consistencia deseada, averiguando la consistencia cada cuantos minutos. **NOTA:** El helado tendrá una consistencia suave y cremosa.
3. Servir el helado en boles o conos, con los ingredientes secos deseados.

Información nutricional por porción:
Calorías 178 (60 % de grasa) • Carbohidratos 17 g • Proteínas 1 g
Grasa 12 g • Grasa saturada 8 g • Colesterol 46 mg • Sodio 20 mg
Calcio 43 mg • Fibra 1 g

Helado de menta cremoso

Preparado con menta fresca, este helado tiene un sabor muy natural. Si bien licuar la mezcla le da un atractivo tono pastel, puede colarse después de remojar la menta para crear un helado de color blanco con un sabor a menta más tenue.

Rinde aprox. 10 porciones de ½ taza (120 ml)

- 1 taza (235 ml) de leche entera
- 2½ tazas llenas (150 g) de hojas de menta fresca
- ¾ taza (150 g) de azúcar granulada
- 1 pizca de sal
- 2 tazas (475 ml) de crema líquida para batir ("heavy cream")
- 1 cucharada (15 ml) de extracto natural de vainilla

1. Calentar la leche a fuego medio-bajo en una cacerola mediana, *justo* hasta que empiece a hervir. Retirar del fuego, agregar las hojas de menta y dejar en remojo por 20 a 30 minutos. Si desea que el helado tenga un sabor a menta más débil, colar y reservar la leche, o, si desea que tenga un sabor a menta más intenso, licuar la mezcla con una licuadora de mano.
2. Agregar el azúcar y la sal a la mezcla de leche/menta. Batir hasta que el azúcar se haya disuelto. Agregar la crema líquida y la vainilla; revolver. Cubrir y refrigerar hasta que la mezcla esté helada, preferiblemente por una noche.
3. Ensamblar la máquina, con la palanca para servir helado levantada. Encender la máquina y verter la mezcla helada en el tazón congelador. Dejar que se procese/congele por 25 a 30 minutos, hasta que adquiera la consistencia correcta para servir. Si el helado está demasiado suave, volver a colocarlo en el tazón y seguir mezclando/congelando hasta obtener la consistencia deseada, averiguando la consistencia cada cuantos minutos. **NOTA:** El helado tendrá una consistencia suave y cremosa.
4. Servir el helado en boles o conos, con los ingredientes secos deseados.

Información nutricional por porción de ½ taza (120 ml):

Calorías 241 (45 % de grasa) • Carbohidratos 17 g • Proteínas 1 g
Grasa 17 g • Grasa saturada 12 g • Colesterol 66 mg • Sodio 27 mg
Calcio 43 mg • Fibra 1 g

Helado de mantequilla de maní

El helado de mantequilla de maní cremoso es un favorito de todos, pequeños y grandes.

Rinde aprox. 10 porciones de ½ taza (120 ml)

- 1 taza (225 g) de mantequilla de maní cremosa
- ¾ taza (135 g) de azúcar granulada
- 1 pizca de sal
- 1 taza (235 ml) de leche entera
- 1½ tazas (355 ml) de crema líquida "half-and-half" (mitad crema/mitad leche)
- 1 cucharadita de extracto natural de vainilla

1. Colocar la mantequilla de maní, el azúcar y la sal en un tazón mediano; revolver con un batidor hasta obtener una mezcla suave. Agregar la leche y revolver hasta que la mezcla esté suave y el azúcar se haya disuelto.

Agregar la crema líquida y la vainilla; revolver. Cubrir y refrigerar hasta que la mezcla esté helada, preferiblemente por una noche.

2. Ensamblar la máquina, con la palanca para servir helado levantada. Encender la máquina y verter la mezcla helada en el tazón congelador. Dejar que se procese/congele por 20 a 25 minutos, hasta que adquiera la consistencia correcta para servir. Si el helado está demasiado suave, volver a colocarlo en el tazón y seguir mezclando/congelando hasta obtener la consistencia deseada, averiguando la consistencia cada cuantos minutos. **NOTA:** El helado tendrá una consistencia suave y cremosa.
3. Servir el helado en boles o conos, con los ingredientes secos deseados.

Información nutricional por porción:

Calorías 265 (58 % de grasa) • Carbohidratos 21 g • Proteínas 8 g
Grasa 18 g • Grasa saturada 6 g • Colesterol 17 mg • Sodio 150 mg
Calcio 76 mg • Fibra 2 g

Helado "pastel de cumpleaños"

¡Este helado suave le dará ganas de celebrar cada bocadito!

Rinde aprox. 10 porciones de ½ taza (120 ml)

- ¼ paquete (100 g) de mezcla de pastel amarillo
- 1 taza (235 ml) de leche entera
- ¾ taza (150 g) de azúcar granulada
- 1 pizca de sal
- 2 tazas (475 ml) de crema líquida para batir ("heavy cream")
- 1 cucharada de extracto natural de vainilla
- ½ taza (45 g) de granas multicolor + un poco más para decorar

1. Precalentar el horno a 300°F (150 °C). Esparcir la mezcla de pastel en una pequeña bandeja. Hornear por 15 minutos. Dejar enfriar completamente.
2. Colocar la leche, el azúcar, la sal y la mezcla de pastel enfriada en un tazón mediano; batir hasta que el azúcar y la mezcla de pastel se hayan disueltos. Agregar la crema líquida y la vainilla; revolver. Cubrir y refrigerar hasta que la mezcla esté helada, preferiblemente por una noche.
3. Ensamblar la máquina, con la palanca para servir helado levantada. Llenar uno de los recipientes para ingredientes secos con las granas. Encender la máquina y verter la mezcla helada en el tazón congelador. Dejar que se procese/congele por 25 a 30 minutos, hasta que adquiera la consistencia correcta para servir. Si el helado está demasiado suave, volver a colocarlo en el tazón y seguir mezclando/congelando hasta obtener la consistencia deseada, averiguando la consistencia cada cuantos minutos. **NOTA:** El helado tendrá una consistencia suave y cremosa.
4. Servir el helado en boles o conos, con granas.

Información nutricional por porción de ½ taza (120 ml):

Calorías 275 (64 % de grasa) • Carbohidratos 22 g • Proteínas 2 g
Grasa 20 g • Grasa saturada 11 g • Colesterol 75 mg • Sodio 89 mg
Calcio 31 mg • Fibra 0 g

Helado “Monstruo Azul”

Este “monstruoso” helado suave combina un vibrante helado azul y sus galletas trituradas favoritas.

Rinde aprox. 10 porciones de ½ taza (120 ml)

- 1 taza (235 ml) de leche entera
- ¾ taza (150 g) de azúcar granulada
- 1 pizca de sal
- 2 cucharaditas de espirulina azul en polvo
- 2 tazas (475 ml) de crema líquida para batir (“heavy cream”)
- 1 cucharada de extracto natural de vainilla
- ½ taza (75 g) de barquillos de chocolate u otras galletas de chocolate molidas

1. Colocar la leche, el azúcar, la sal y la espirulina en un tazón mediano; batir hasta que el azúcar y la espirulina se hayan disueltos. Agregar la crema líquida y la vainilla; revolver. Cubrir y refrigerar hasta que la mezcla esté helada, preferiblemente por una noche.
2. Ensamblar la máquina, con la palanca para servir helado levantada. Llenar uno de los recipientes para ingredientes secos con las galletas molidas. Encender la máquina y verter la mezcla helada en el tazón congelador. Dejar que se procese/congele por 25 a 30 minutos, hasta que adquiera la consistencia correcta para servir. Si el helado está demasiado suave, volver a colocarlo en el tazón y seguir mezclando/congelando hasta obtener la consistencia deseada, averiguando la consistencia cada cuantos minutos. **NOTA:** El helado tendrá una consistencia suave y cremosa.
3. Servir el helado en boles o conos, con las galletas molidas.

Información nutricional por porción de ½ taza (120 ml):
Calorías 245 (66 % de grasa) • Carbohidratos 18 g • Proteínas 9 g
Grasa 18 g • Grasa saturada 11 g • Colesterol 69 mg • Sodio 51 mg
Calcio 31 mg • Fibra 0 g

Helado de banana con nueces

Cocinar las bananas primero no solo intensifica su sabor, sino que también crea un jarabe dulce que se mezcla rápidamente con la base del helado.

Rinde aprox. 12 porciones de ½ taza (120 ml)

- 3 bananas muy maduras
- ¼ taza (50 g) de azúcar rubia (azúcar de caña integral)
- 1 pizca de sal
- 1 taza (235 ml) de leche entera
- ½ taza (100 g) de azúcar granulada
- 1 pizca de sal
- 2 tazas (475 ml) de crema líquida para batir (“heavy cream”)
- 1½ cucharaditas de extracto natural de vainilla
- ½ taza (50 g) de nueces finamente picadas

1. Colocar las bananas, el azúcar rubia y la sal en una sartén mediana; calentar a fuego medio hasta que las bananas se suavicen y se caramelicen, teniendo cuidado de no permitir que el azúcar se quemere. Retirar del fuego y dejar enfriar por un máximo de un minuto.

2. Colocar la leche y el azúcar en un tazón mediano a grande; batir hasta que el azúcar se haya disuelto. Agregar un poco de la mezcla a la mezcla de banana/azúcar tibia, y revolver para combinar. Verter la mezcla de banana en el tazón, cerciorándose de raspar el jarabe con una espátula; batir bien. **NOTA:** También puede procesar la mezcla con una licuadora de mano para conseguir una consistencia más suave y un sabor más intenso. Agregar la crema líquida y la vainilla; batir. Refrigerar por una noche.

3. Ensamblar la máquina, con la palanca para servir helado levantada. Llenar uno de los recipientes para ingredientes secos con las nueces finamente picadas. Encender la máquina y verter la mezcla helada en el tazón congelador. Dejar que se procese/congele por 25 a 30 minutos, hasta que adquiera la consistencia correcta para servir.
4. Servir el helado en boles o conos, con las nueces finamente picadas.

Información nutricional por porción de ½ taza (120 ml):
Calorías 237 (61 % de grasa) • Carbohidratos 20 g • Proteínas 2 g
Grasa 16 g • Grasa saturada 10 g • Colesterol 55 mg • Sodio 26 mg
Calcio 21 mg • Fibra 1 g

Helado de café

Despierte su paladar con este brillante y exquisito helado de café suave.

Rinde aprox. 10 porciones de ½ taza (120 ml)

- 1 taza (235 ml) de leche entera
- ½ taza (100 g) de azúcar granulada
- ¼ taza llena (50 g) de azúcar rubia (azúcar de caña integral)
- 1 a 1½ cucharadas de café o expreso instantáneo/soluble, a gusto
- 2 tazas (475 ml) de crema líquida para batir (“heavy cream”)
- 1 cucharadita de extracto natural de vainilla
- 1 pizca de sal

1. Colocar la leche, los azúcares, la sal y el expreso instantáneo en un tazón mediano; batir hasta que los azúcares se hayan disueltos. Agregar la crema líquida y la vainilla; revolver. Cubrir y refrigerar hasta que la mezcla esté helada, preferiblemente por una noche.
2. Ensamblar la máquina, con la palanca para servir helado levantada. Encender la máquina y verter la mezcla helada en el tazón congelador. Dejar que se procese/congele por 25 a 30 minutos, hasta que adquiera la consistencia correcta para servir. Si el helado está demasiado suave, volver a colocarlo en el tazón y seguir mezclando/congelando hasta obtener la consistencia deseada, averiguando la consistencia cada cuantos minutos. **NOTA:** El helado tendrá una consistencia suave y cremosa.
3. Servir el helado en boles o conos, con los ingredientes secos deseados.

Información nutricional por porción de ½ taza (120 ml):
Calorías 257 (67 % de grasa) • Carbohidratos 19 g • Proteínas 3 g
Grasa 19 g • Grasa saturada 12 g • Colesterol 72 mg • Sodio 44 mg
Calcio 95 mg • Fibra 0 g

Helado de yogur de banana-fresa

La clásica combinación de fresa y banana se unen de maravilla en este helado de yogur dulce y ácido.

Rinde aprox. 10 porciones de ½ taza (120 ml)

- 1 banana madura, en trozos de 1 in (2.5 cm)
- 8 onzas (225 g) de fresas frescas o descongeladas
- ½ taza (120 ml) de leche entera
- ½ taza (120 ml) de crema líquida para batir (“heavy cream”)
- 1 taza (200 g) de azúcar granulada
- 1 pizca de sal
- ½ cucharadita de extracto natural de vainilla
- 3 tazas (710 ml) de yogur griego natural de leche entera

1. Colocar la banana, las fresas, la leche, la crema líquida, el azúcar, la sal y la vainilla en la jarra de una licuadora; licuar a velocidad alta hasta conseguir una mezcla suave. Verter en un tazón mediano y agregar el yogur; revolver con un batidor. Cubrir y refrigerar hasta que la mezcla esté helada, preferiblemente por una noche.
2. Ensamblar la máquina, con la palanca para servir helado levantada. Encender la máquina y verter la mezcla helada en el tazón congelador. Dejar que se procese/congele por 25 a 30 minutos, hasta que adquiera la consistencia correcta para servir. Si el helado de yogur está demasiado suave, volver a colocarlo en el tazón y seguir mezclando/congelando hasta obtener la consistencia deseada, averiguando la consistencia cada cuantos minutos.
3. **NOTA:** El helado de yogur tendrá una consistencia suave y cremosa. Servir el helado de yogur en boles o conos, con los ingredientes secos deseados.

Información nutricional por porción de ½ taza (120 ml):

Calorías 209 (36 % de grasa) • Carbohidratos 27 g • Proteínas 7 g
Grasa 9 g • Grasa saturada 5 g • Colesterol 30 mg • Sodio 50 mg
Calcio 12 mg • Fibra 1 g

Helado de yogur de cereza-vainilla

La clásica combinación de cereza y vainilla se unen de maravilla en este divertido helado de yogur.

Rinde aprox. 10 porciones de ½ taza (120 ml)

- 12 onzas (340 g) de cerezas dulces deshuesadas descongeladas
- 1 taza (235 ml) de leche entera
- ½ taza (100 g) de azúcar granulada
- 1 cucharadita (5 ml) de extracto natural de vainilla
- 2 tazas (475 ml) de yogur griego de vainilla de leche entera

1. Colocar las cerezas, las leche entera, el azúcar y la vainilla en la jarra de una licuadora; licuar a velocidad alta hasta conseguir una mezcla suave. Verter en un tazón mediano y agregar el yogur; revolver con un batidor.

Cubrir y refrigerar hasta que la mezcla esté helada, preferiblemente por una noche.

2. Ensamblar la máquina, con la palanca para servir helado levantada. Encender la máquina y verter la mezcla helada en el tazón congelador. Dejar que se procese/congele por 25 a 30 minutos, hasta que adquiera la consistencia correcta para servir. Si el helado de yogur está demasiado suave, volver a colocarlo en el tazón y seguir mezclando/congelando hasta obtener la consistencia deseada, averiguando la consistencia cada cuantos minutos.
3. **NOTA:** El helado de yogur tendrá una consistencia suave y cremosa. Servir el helado de yogur en boles o conos, con los ingredientes secos deseados.

Información nutricional por porción de ½ taza (120 ml):

Calorías 84 (10 % de grasa) • Carbohidratos 17 g • Proteínas 3 g
Grasa 1 g • Grasa saturada 1 g • Colesterol 4 mg • Sodio 34 mg
Calcio 95 mg • Fibra 1 g

Helado de dulce de leche sin lácteos

La leche de avena y la leche de coco se unen deliciosamente al dulce de leche en este postre helado cremoso y exquisito.

Rinde aprox. 10 porciones de ½ taza (120 ml)

- 1 lata de 11.25 oz (330 ml) de leche de coco condensada (quitar la etiqueta pero dejar la lata cerrada)
- 2½ tazas (590 ml) de leche de avena para espumar
- ½ taza (60 ml) de jarabe de maíz claro
- ½ cucharadita de sal
- 1 cucharada de extracto natural de vainilla
- ¼ cucharadita de goma xantana

1. Preparar el dulce de leche: Colocar la lata (cerrada) de leche de coco condensada en una cacerola grande y agregar agua hasta que la lata quede al menos 2 in (5 cm) debajo de la superficie. Calentar a alto hasta que el agua empiece a hervir. Tapar y bajar el fuego para que siga hirviendo a fuego lento por 3 horas. **NOTA:** De ser necesario, agregar agua para mantener la lata sumergida aprox. 2 in (5 cm) debajo de la superficie. Apagar el fuego y dejar la lata en el agua hasta que esté a temperatura ambiente. A continuación, abrirla. El dulce de leche puede prepararse con una semana de antelación.
2. Colocar 1 taza (235 ml) de la leche de avena en una cacerola pequeña y calentarla hasta que empiece a hervir (la leche caliente ayudará a activar la goma xantana). Colocar la leche de avena caliente en la jarra de una licuadora. Agregar la leche de avena remanente, el jarabe de maíz, la sal, la vainilla, la goma xantana y el dulce de leche enfriado. Licuar a velocidad alta 40 a 50 segundos, hasta obtener una mezcla suave y homogénea. Cubrir y refrigerar hasta que la mezcla esté helada, preferiblemente por una noche.
3. Ensamblar la máquina, con la palanca para servir helado levantada. Encender la máquina y verter la mezcla helada en el tazón congelador. Dejar que se procese/congele por 25 a 30 minutos, hasta que adquiera la consistencia correcta para servir.

Si el helado está demasiado suave, volver a colocarlo en el tazón y seguir mezclando/congelando hasta obtener la consistencia deseada, averiguando la consistencia cada cuantos minutos. **NOTA:** El helado tendrá una consistencia suave y cremosa.

- Servir el helado en boles o conos, con los ingredientes secos deseados.

Información nutricional por porción de ½ taza (120 ml):
Calorías 183 (28 % de grasa) • Carbohidratos 31 g • Proteínas 2 g
Grasa 6 g • Grasa saturada 4 g • Colesterol 0 mg • Sodio 69 mg
Calcio 1 mg • Fibra 1 g

Helado de chocolate sedoso sin lácteos

El tofu sedoso da una consistencia de mousse a este sabroso postre vegano.

Rinde aprox. 8 porciones de ½ taza (120 ml)

12 onzas (340 g) de chocolate semidulce, picado

⅓ taza (65 g) de azúcar granulada

1½ cucharaditas de extracto natural de vainilla

1 taza (235 ml) de leche de soya sin azúcar

14 onzas (400 g) de tofu sedoso ("silken tofu"), en cubos de 1 in (2.5 cm)

1 pizca de sal

- Colocar el chocolate, el azúcar y la vainilla en la jarra de la licuadora.
- Poner la leche de soya a calentar a fuego medio, en una cacerola. Calentar la leche *justo* hasta que empiece a hervir. A continuación, dejar que se enfríe por unos minutos, y verterla en la jarra de la licuadora. Licuar a velocidad baja. Sin apagar, agregar los cubos de tofu por la abertura en la tapa y seguir licuando a velocidad alta. Después de haber añadido todo el tofu, agregar la sal y seguir licuando a velocidad alta hasta conseguir una mezcla homogénea.
- Refrigerar por un mínimo de 2 horas (preferiblemente por una noche). Antes de usar la base de helado, batirla, y luego colarla para conseguir una mezcla muy suave.
- Ensamblar la máquina, con la palanca para servir helado levantada. Encender la máquina y verter la mezcla helada en el tazón congelador. Dejar que se procese/congele por 20 a 25 minutos, hasta que adquiera la consistencia correcta para servir. Si el helado está demasiado suave, volver a colocarlo en el tazón y seguir mezclando/congelando hasta obtener la consistencia deseada, averiguando la consistencia cada cuantos minutos. **NOTA:** El helado tendrá una consistencia suave y cremosa.
- Servir el helado en boles o conos, con los ingredientes secos deseados.

Información nutricional por porción de ½ taza (120 ml):
Calorías 248 (45 % de grasa) • Carbohidratos 35 g • Proteínas 4 g
Grasa 13 g • Grasa saturada 7 g • Colesterol 0 mg • Sodio 16 mg
Calcio 30 mg • Fibra 2 g

Helado de coco-almendra sin lácteos

Inspirado en una barra de caramelo favorita, este helado puede terminarse con una cobertura de chocolate dura para completar su sabor nostálgico, o cubrirse con jarabe de chocolate caliente si se prefiere.

Rinde aprox. 8 porciones de ½ taza (120 ml)

2 latas de 13.5 oz (400 ml) de leche de coco regular (no usar leche de coco baja en grasa)

¾ taza (150 g) de azúcar granulada

1 pizca de sal

¼ cucharadita de extracto natural de almendra

¼ taza (30 g) de almendras tostadas, finamente picadas

Cobertura de chocolate dura (página 16) o salsa de chocolate para servir

- Colocar la leche de coco, el azúcar, la sal y el extracto de almendra en un tazón mediano; batir hasta que no queden grumos. **NOTA:** También se puede usar una licuadora de mano a velocidad baja para hacer esto. Refrigerar por un mínimo de 2 horas (preferiblemente por una noche). Batir la mezcla antes de echarla en el tazón congelador.
- Ensamblar la máquina, con la palanca para servir helado levantada. Llenar uno de los recipientes para ingredientes secos con las almendras picadas.
- Encender la máquina y verter la mezcla helada en el tazón congelador. Dejar que se procese/congele por 20 a 25 minutos, hasta que adquiera la consistencia correcta para servir.
- Servir el helado en boles o conos, con almendras picadas.
- Cubrir con cobertura de chocolate dura o salsa de chocolate.

Información nutricional por porción de ½ taza (120 ml):
Calorías 231 (66 % de grasa) • Carbohidratos 19 g • Proteínas 7 g
Grasa 18 g • Grasa saturada 15 g • Colesterol 3 mg • Sodio 36 mg
Calcio 10 mg • Fibra 1 g

Sorbete de mango-lima

Sol tropical en una taza... ¡o en un cono!

Rinde aprox. 8 porciones de ½ taza (120 ml):

3 mangos maduros, pelados y cortados en cubos grandes

¾ taza (175 ml) de jarabe simple (página 16)

¼ taza (60 ml) de jugo de lima/limón verde fresco (aprox. 2 limas)

1 pizca de sal

- Colocar los cubos de mango en la jarra de una licuadora; licuar a velocidad alta hasta conseguir un puré suave.
- Encender la licuadora a velocidad baja y agregar el jarabe simple, el jugo de lima y la sal. Cubrir y refrigerar hasta que la mezcla esté helada, preferiblemente por una noche.
- Ensamblar la máquina, con la palanca para servir helado levantada. Encender la máquina y verter la mezcla helada en el tazón congelador.

Dejar que se procese/congele por 15 a 25 minutos, hasta que adquiera la consistencia correcta para servir. Si el sorbete está demasiado suave, volver a colocarlo en el tazón y seguir mezclando/congelando hasta obtener la consistencia deseada, averiguando la consistencia cada cuantos minutos. **NOTA:** El sorbete tendrá una consistencia suave y cremosa.

4. Servir el sorbete en boles o conos, con los ingredientes secos deseados.

Información nutricional por porción de ½ taza (120 ml):
Calorías 153 (3 % de grasa) • Carbohidratos 39 g • Proteínas 1 g
Grasa 1 g Grasa saturada 0 g • Colesterol 0 mg • Sodio 2 mg
Calcio 21 mg • Fibra 3 g

Sorbete de frambuesa

Usar frambuesas congeladas permite preparar este vibrante sorbete en cualquier momento del año.

Rinde aprox. 10 porciones de ½ taza (120 ml)

- 4 tazas (500 g) de frambuesas congeladas, descongeladas
- 1½ tazas (355 ml) de jarabe simple (página 16)
- 1 pizca de sal

1. Colocar las frambuesas descongeladas en la jarra de la licuadora. Licuar a velocidad alta hasta obtener una mezcla suave. Colar la mezcla con un colador de malla fina para quitar las semillas.
2. Agregar el jarabe simple y la sal; batir para revolver. Cubrir y refrigerar hasta que la mezcla esté helada, preferiblemente por una noche.
3. Ensamblar la máquina, con la palanca para servir helado levantada. Encender la máquina y verter la mezcla helada en el tazón congelador. Dejar que se procese/congele por 15 a 25 minutos, hasta que adquiera la consistencia correcta para servir. Si el sorbete está demasiado suave, volver a colocarlo en el tazón y seguir mezclando/congelando hasta obtener la consistencia deseada, averiguando la consistencia cada cuantos minutos. **NOTA:** El sorbete tendrá una consistencia suave y cremosa.
4. Servir el sorbete en boles o conos, con los ingredientes secos deseados.

Información nutricional por porción de ½ taza (120 ml):
Calorías 140 (0 % de grasa) • Carbohidratos 37 g • Proteínas 0 g
Grasa 0 g • Grasa saturada 0 g • Colesterol 0 mg • Sodio 14 mg
Calcio 9 mg • Fibra 2 g

Granizado de sandía

El verano en una taza, ¡a pedido!

Rinde 8 porciones de 1 taza (235 ml)

- 6 tazas (1 kg) de cubos de sandía fresca
- ¾ taza (90 ml) de jarabe simple (página 16)
- 2 cucharadas de jugo de lima/limón verde fresco (aprox. 1 lima)

1. Colocar los cubos de sandía en la jarra de una licuadora; licuar a velocidad alta hasta conseguir un puré suave.
2. Agregar el jarabe simple y el jugo de lima; revolver. Cubrir y refrigerar por una noche.

3. Ensamblar la máquina, con la palanca para servir helado levantada. Encender la máquina y verter la mezcla en el tazón congelador. Dejar que se procese/congele por 20 a 25 minutos, hasta que adquiera la consistencia deseada.
4. Servir en vasos, con una pajita o una cuchara.

Información nutricional por porción de 1 taza (235 ml):
Calorías 117 (1 % de grasa) • Carbohidratos 30 g • Proteínas 1 g
Grasa 0 g • Grasa saturada 0 g • Colesterol 0 mg • Sodio 2 mg
Calcio 15 mg • Fibra 1 g

Granizado de vino rosado-fresa

Impresione a sus amigos con este cóctel en su próxima fiesta de verano o asado.

Rinde 5 porciones de 1 taza (235 ml)

- 16 onzas (455 g) de fresas frescas, partidas en dos
- 1 botella de 750 ml de vino rosado
- ½ taza (120 ml) de jarabe simple (página 16)

1. Colocar las fresas en la jarra de una licuadora; licuar a velocidad alta hasta conseguir un puré suave. Encender la licuadora a velocidad baja y agregar lentamente el vino rosado; licuar para combinar. A continuación (sin apagar la licuadora) agregar el jarabe simple.
2. Refrigerar por una noche.
3. Ensamblar la máquina, con la palanca para servir helado levantada. Encender la máquina y verter la mezcla en el tazón congelador. Dejar que se procese/congele por 25 a 30 minutos, hasta que adquiera la consistencia deseada.
4. Servir en vasos, con una pajita o una cuchara.

Información nutricional por porción de 1 taza (235 ml):
Calorías 171 (1 % de grasa) • Carbohidratos 18 g • Proteínas 1 g
Grasa 0 g • Grasa saturada 0 g • Colesterol 71 mg • Sodio 1 mg
Calcio 15 mg • Fibra 2 g

Piña colada

Un sorbo y esta refrescante bebida tropical le hará sentirse como en el paraíso.

Rinde 4 porciones de 1 taza (235 ml)

- 4 tazas (560 g) de cubos de mango congelados
 - ¾ taza (160 ml) de leche de coco regular (no usar leche de coco baja en grasa)
 - ½ taza (120 ml) de crema de coco
 - ¼ taza (50 g) de azúcar granulada
 - 1 lima/limón verde (ralladura y jugo)
 - ½ tazas (120 ml) de ron blanco
- Gajos de piña, cerezas Marrasquino y hojas de piña para decorar

1. Colocar la piña, la leche de coco, la crema de coco, el azúcar, la ralladura de lima y el jugo de lima en la jarra de una licuadora. Licuar a velocidad por aprox. 1 minuto, hasta conseguir una mezcla suave.
2. Ensamblar la máquina, con la palanca para servir helado levantada. Encender la máquina y verter la mezcla en el tazón congelador. **NOTA:** Ya que este receta usa fruta congelada, la mezcla no requiere refrigerarse antes de la preparación. Dejar que se procese/congele por aprox. 10 minutos, hasta que adquiera la consistencia deseada, agregando el ron (sin

apagar la máquina) aprox. 2 minutos antes del final del congelamiento.

3. Servir en vasos y decorar con gajos de piña, cerezas Marrasquino y hojas de piña.

Información nutricional por porción de 1 taza:

Calorías 530 (22 % de grasa) • Carbohidratos 90 g • Proteínas 2 g
Grasa 13 g • Grasa saturada 12 g • Colesterol 0 mg • Sodio 25 mg
Calcio 30 mg • Fibra 4 g

Jarabe simple

Un ingrediente clave para sorbetes y cócteles helados. Conservar el en refrigerador, en un recipiente hermético, por un máximo de 2 semanas.

Rinde 1½ tazas (355 ml)

- 1 **taza (200 g) de azúcar granulada**
1 **taza (235 ml) de agua**

1. Colocar el azúcar y el agua en una cacerola, y calentar a fuego medio. Cuando la mezcla empiece a hervir, reducir el fuego y dejar hervir a fuego lento por 2 a 3 minutos, hasta que el azúcar se haya disuelto.

2. Retirar del fuego y dejar enfriar completamente antes de usar.

Información nutricional por cucharada (15 ml):

Calorías 137 (48 % de grasa) • Carbohidratos 17 g • Proteínas 2 g
Grasa 8 g • Grasa saturada 4 g • Colesterol 18 mg • Sodio 78 mg
Calcio 3 mg • Fibra 1 g

Cobertura de chocolate dura

¡Perfecta para cubrir un "sundae" o un cono de helado.

Hay dos formas de cubrir un helado con cobertura de chocolate dura: Verterla directamente sobre el helado y luego rociar otras coberturas sobre el chocolate antes de que se endurezca por completo; o empezar con las otras coberturas (nueces tostadas, galletas picadas, salsa de caramelo) y luego terminar con la cobertura de chocolate dura para que cubra el helado y los demás ingredientes.

- ½ **taza (40 g) de chispas de chocolate semidulce**
1 **cucharada (15 ml) de aceite de coco**
1 **pizca de hojuelas de sal marina**

1. Colocar las chispas de chocolate y el aceite de coco en un bol (o una taza medidora de líquidos de vidrio) apto para microondas. Calentar en el microondas al 40 % de la potencia por 3 minutos y 30 segundos; revolver bien. Si quedan pedazos, volver al horno y calentar en incrementos de 20 segundos, usando el mismo nivel de potencia.

2. Dejar enfriar a temperatura ambiente por 15 a 20 minutos y verter sobre un "sundae", o usar para cubrir helado en cono.

3. Refrigerar las sobras por un máximo de 2 semanas, en un recipiente hermético. Recalentar en el microondas, usando el nivel de potencia de 40 %, antes de usar.

Información nutricional por porción de 1 cucharada:

Calorías 95 (32 % de grasa) • Carbohidratos 10 g • Proteínas 1 g
Grasa 6 g • Grasa saturada 4 g • Colesterol 71 mg • Sodio 18 mg
Calcio 20 mg • Fibra 1 g

Salsa de mantequilla y azúcar

La salsa de mantequilla y azúcar ("Butterscotch" en inglés) es la cobertura líquida tibia perfecta para sus helados.

Rinde aprox. ¾ de taza (175 ml)

- 4 **cucharadas (55 g) de mantequilla sin sal**
½ **taza (100 g) de azúcar moreno**
½ **taza (60 ml) de jarabe de maíz claro**
1 **cucharadita de agua**
1 **pizca de sal**
¾ **taza (175 ml) de crema líquida para batir ("heavy cream")**
1 **cucharadita de extracto natural de vainilla**

1. Derretir la mantequilla a fuego bajo en una cacerola de fondo pesado mediana. Agregar el azúcar, el jarabe de maíz, el agua y la sal; revolver hasta que el azúcar se haya disuelto. Ajustar el fuego al nivel medio-bajo y hervir a fuego lento por 4 minutos.

2. Retirar del fuego y agregar lentamente y con cuidado la crema y la vainilla. Mantener la salsa tibia en la taza calentadora de la máquina de helado suave Mix It In™.

Información nutricional por porción de 2 cucharadas (30 ml):

Calorías 238 (59 % de grasa) • Carbohidratos 24 g • Proteínas 1 g
Grasa 16 g • Grasa saturada 10 g • Colesterol 51 mg
Sodio 125 mg • Calcio 36 mg • Fibra 0 g

Salsa de mantequilla de maní

Esta salsa clásica combina bien con helados de chocolate o de vainilla. Nuestra receta está lista en minutos y puede conservarse en el refrigerador hasta 2 semanas y recalentarse justo antes de usar.

- ½ **taza (115 g) de mantequilla de maní cremosa**
¼ **taza (50 g) de azúcar granulada**
1 **cucharada de jarabe de maíz claro**
½ **cucharadita de extracto natural de vainilla**
1 **pizca de sal marina fina**
Agua, según se necesite

1. Colocar la mantequilla de maní, el azúcar y el jarabe de maíz en una cacerola pequeña. Poner a calentar, batiendo, a fuego medio-bajo. Cuando la mezcla esté combinada y tibia, agregar la vainilla y la sal. Sin dejar de batir, agregar el agua, una cucharada a la vez, y seguir batiendo hasta obtener la consistencia deseada.

2. Mantener la salsa tibia en la taza calentadora de la máquina de helado suave Mix It In™.

Información nutricional por porción de 1 cucharada (15 ml):

Calorías 63 (53 % de grasa) • Carbohidratos 5 g • Proteínas 2 g
Grasa 4 g • Grasa saturada 1 g • Colesterol 3 mg • Sodio 47 mg
Calcio 22 mg • Fibra 0 g

Galletas de sándwich de helado

Un paso más allá de las tradicionales galletas de sándwich de helado, estas galletas son un complemento perfecto para su helado favorito. Esta receta rinde 24 galletas de 2 in (5 cm), suficiente para 12 sándwiches de helado. Si desea galletas más grandes, formar galletas de 3 in (7.5 cm) o de 4 in (10 cm) para preparar 9 o 6 sándwiches de helado.

Rinde 24 galletas (12 sándwiches de helado)

- 1⅓ tazas (265 g) de harina común
 - ⅓ taza (40 g) de cacao en polvo, tamizado
 - 1 cucharadita de expreso instantáneo/soluble
 - ¾ cucharadita de polvo de hornear
 - ¼ cucharadita de sal marina fina
 - 8 cucharadas (115 g) de mantequilla sin sal temperatura ambiente, en pedazos de 1 in (2.5 cm)
 - 1 taza (200 g) de azúcar granulada
 - 1 huevo grande, a temperatura ambiente
 - 1 cucharadita (5 ml) de extracto natural de vainilla
 - 2¼ tazas (530 ml) del helado de su elección
1. Precalentar el horno a 350°F (175 °C), con una rejilla en la posición inferior y otra en la posición superior. Forrar dos placas para horno con papel sulfurizado; reservar.
 2. Colocar la harina, el cacao, el expreso instantáneo, el polvo de hornear y la sal en un tazón mediano; batir para combinar.
 3. Colocar la mantequilla en el tazón de una batidora de pie equipada con aspa plana (también puede usar una batidora de mano con batidores regulares). Batir a velocidad media para acremar la mantequilla. Agregar el azúcar poco a poco y seguir mezclando hasta que la mezcla adquiera una consistencia cremosa. Agregar el huevo y la vainilla; revolver para combinar. Agregar los ingredientes secos y mezclar a velocidad baja justo hasta incorporarlos.
 4. Usando una cuchara de helado de aprox. 1½ in (4 cm), formar bolas de masa de aprox. 2 cucharadas y colocarlas en las placas preparadas. Aplastar ligeramente cada galleta con el fondo de un vaso hasta que tenga aprox. ¼ in (5 mm) de espesor.
 5. Hornear por aprox. 10 minutos, hasta que las orillas estén ligeramente firmes. **NOTA:** Si desea galletas perfectamente redondas, usar un cortador de galletas de un diámetro ligeramente más pequeño que el tamaño de galleta deseado. Inmediatamente después de sacarlas del horno, cortar las galletas para crear un círculo perfecto. Dejar enfriar completamente antes de usar.
 6. Para armar: Usando una cuchara de helado, colocar aprox. 3 cucharadas de su helado favorito en el lado plano de una galleta. Colocar otra galleta encima y presionar, girando la galleta, hasta que el helado llegue hasta la orilla de las galletas. Repetir con el resto de las galletas. Envolver cada sándwich de helado en papel film/plástico y congelar por aprox. 20 minutos, hasta que estén firmes.

Información nutricional por porción (2 galletas, sin el helado):
 Calorías 225 (42 % de grasa) • Carbohidratos 31 g • Proteínas 3 g
 Grasa 11 g • Grasa saturada 6 g • Colesterol 39 mg • Sodio 89 mg
 Calcio 18 mg • Fibra 1 g

Galletas de chispas de chocolate

Unas compañeras nostálgicas del helado, las galletas con chispas de chocolate combinan con casi cualquier sabor de helado. Nuestras galletas son un poco más suaves de lo normal para poder usarlas como galletas de sándwiches de helado sin que se rompan, y para poder comérselas más fácilmente, sin ensuciar. Una mezcla de mini chispas de chocolate blanco y semidulce es atractiva y

añade diferentes niveles de dulzura a las galletas, pero también se pueden usar chispas de tamaño regular.

Rinde aprox. 4 docenas de galletas

- 2¼ tazas (280 g) de harina común
- 1 cucharadita de bicarbonato de sodio
- 1 cucharadita de sal marina fina
- ½ cucharadita de expreso instantáneo/soluble
- 16 cucharadas (225 g) de mantequilla sin sal temperatura ambiente, en pedacitos
- 1 taza llena (200 g) de azúcar rubia (azúcar de caña integral)
- ½ taza (100 g) de azúcar granulada
- 2 huevos grandes, a temperatura ambiente
- 1½ cucharaditas de extracto natural de vainilla
- 2 tazas (160 g) de una mezcla de mini chispas de chocolate blanco y semidulce
- Copos de sal marina, para rociar

1. Colocar la harina, el bicarbonato, la sal y el expreso instantáneo en un tazón mediano; batir para revolver. Reservar.
2. Colocar la mantequilla en un tazón grande o el tazón de una batidora de pie. Batir, ya sea usando el batidor plano de la batidora de pie o los batidores regulares de una batidora de mano, empezando a velocidad baja y pasando a velocidad media, para acremar la mantequilla. Agregar los azúcares y revolver a velocidad media-baja hasta conseguir una mezcla muy ligera y que los azúcares se hayan disueltos casi por completo (parar para raspar el bol cuando sea necesario). Agregar los huevos, uno a la vez, mientras se sigue mezclando a velocidad medio-baja, y luego agregar la vainilla. A continuación, agregar los ingredientes secos reservados, y luego las chispas de chocolate, mezclando a velocidad baja después de cada adición para incorporar los ingredientes.
3. Formar bolas de masa del tamaño de pelotas de golf y colocarlas en una placa para horno o una bandeja forrada con papel sulfurizado. Envolver bien y refrigerar por un mínimo de 1 hora, hasta un máximo de una noche.
4. Colocar una de las rejillas del horno en el tercio inferior, y otra en el tercio superior, y precalentar el horno a 350 °F (175 °C). Forrar dos placas para horno con papel sulfurizado.
5. Cuando el horno esté caliente, hornear las galletas por aprox. 12 a 15 minutos, hasta que estén ligeramente doradas y que las orillas estén ligeramente firmes. Retirar del horno y espolvorear inmediatamente con una pizca de copos de sal marina. Dejar enfriar las bandejas antes de hornear más galletas.

Información nutricional por galleta:
 Calorías 96 (46 % de grasa) • Carbohidratos 12 g • Proteínas 1 g
 Grasa 5 g • Grasa saturada 3 g • Colesterol 18 mg • Sodio 78 mg
 Calcio 3 mg • Fibra 1 g